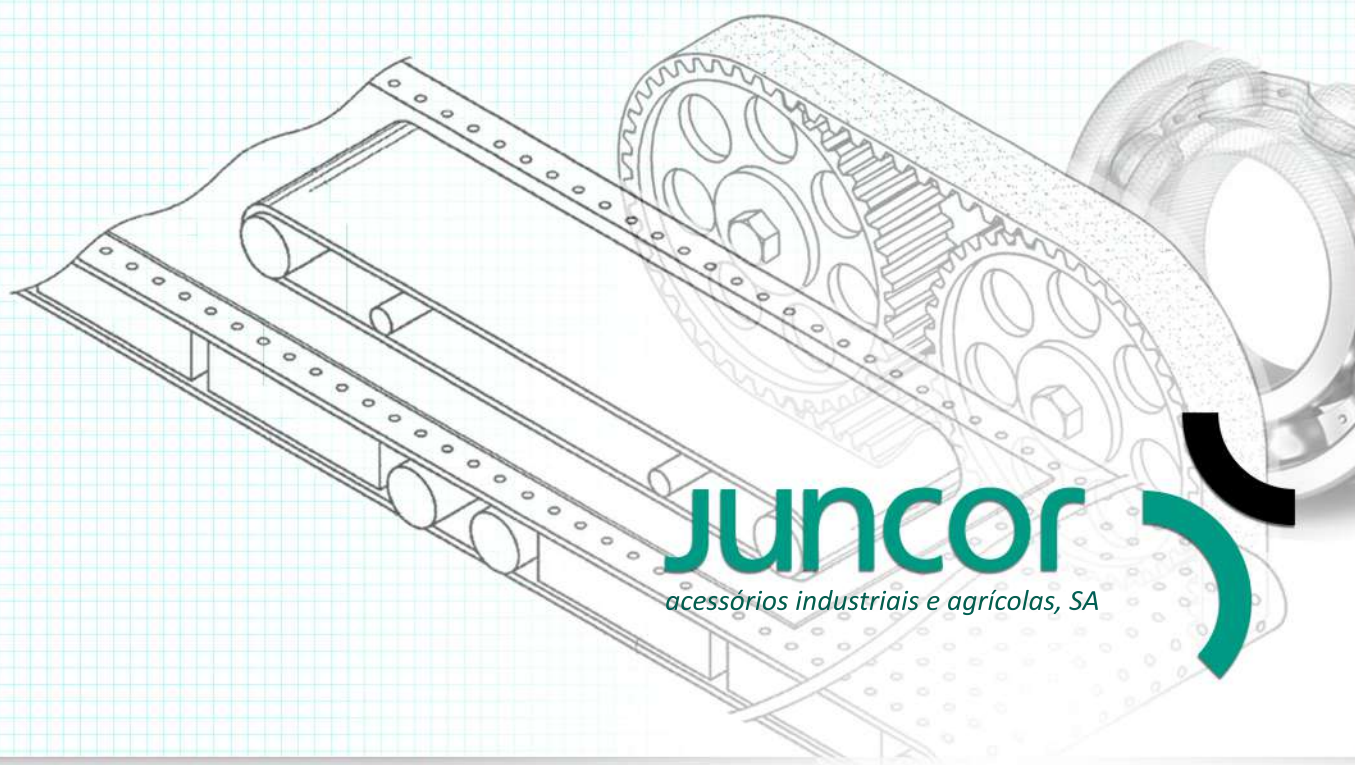




HIWIN®

Motion Control & Systems



Juncor
acessórios industriais e agrícolas, SA

Sede

R. António Silva Marinho 66
4100-063 Porto
+351 226 197 360
vendasporto@juncor.pt
www.juncor.pt

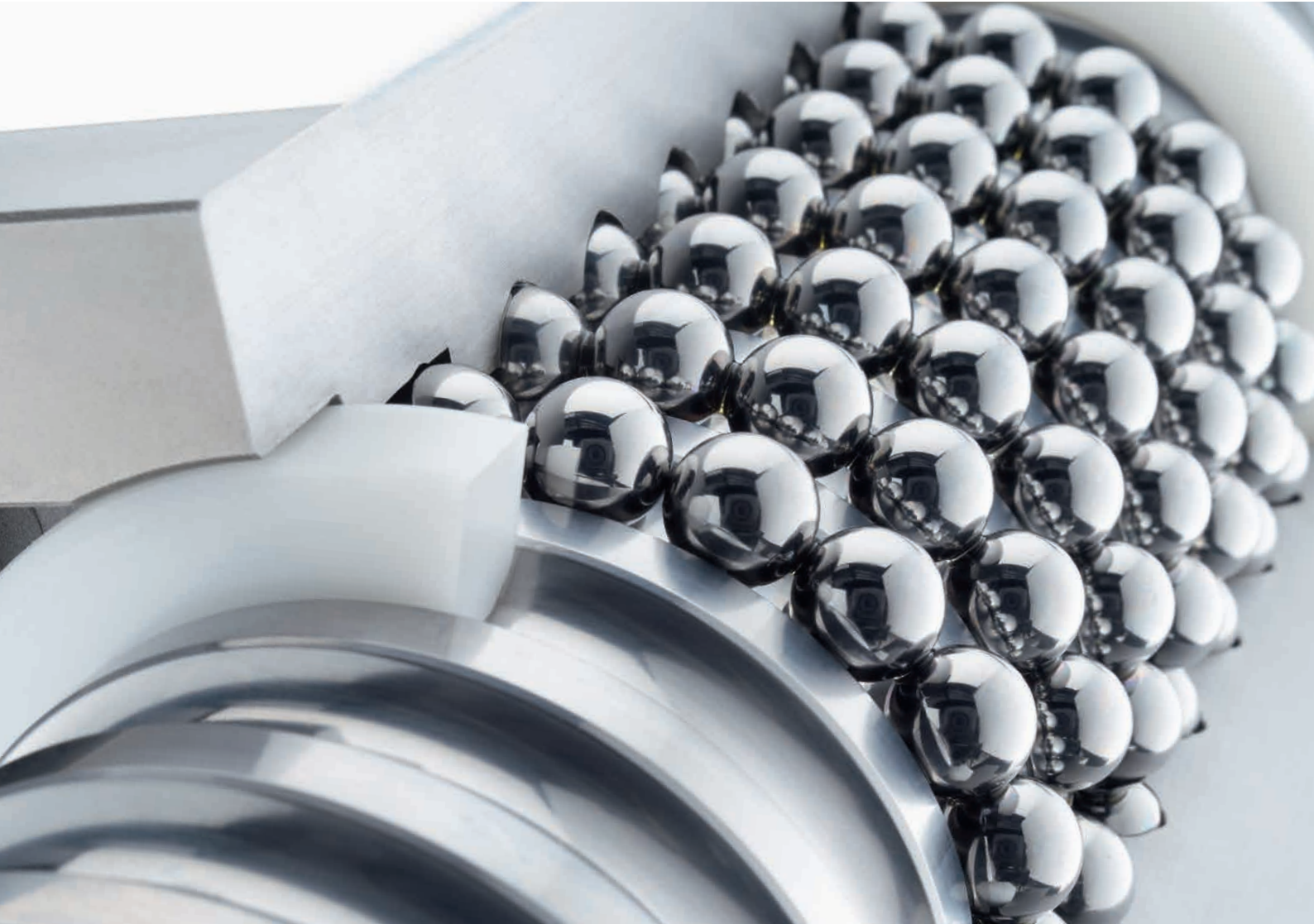
Filial - Montijo Comércio e Indústria

(Arm. 13/15)
EN 5 Pau Queimado - Afonseiro
2870-500 Montijo
+351 212 306 030
vendasilisboa@juncor.pt



HIWIN[®]

Motion Control & Systems



Ballscrews

& Accessories

Ballscrews

Ballscrews & Accessories

Ballscrews consist of a shaft, a nut into which the balls are integrated and the ball recirculation system. Ballscrews are the type of threaded shaft most commonly used in industrial and precision machines. They are used to convert rotary motion into longitudinal motion and vice versa. They display great accuracy and are highly efficient. HIWIN provides a large selection of ballscrews suitable for all your applications.

HIWIN ballscrews are distinguished by their low-friction and precise running, require little drive torque and offer good rigidity with smooth operation. HIWIN ballscrews are available in rolled, peeled and ground versions making them the optimum product for any application.

Ballscrews

Contents

Contents

1	Product overview	7
2	General information	8
2.1	Properties	8
3	Structural properties and selection of HIWIN ballscrews	10
3.1	Design information	10
3.2	Procedure for selecting a ballscrew	12
3.3	Ballscrew shafts	13
3.4	Ball recirculation systems	13
3.5	Accuracy of the HIWIN ballscrews	14
3.6	Preload and play	21
3.7	Calculations	24
3.8	Material and heat treatment	32
3.9	Lubrication	32
4	Rolled ballscrews	33
4.1	Properties	33
4.2	Tolerance classes	33
4.3	HIWIN order code for rolled ballscrews	34
4.4	Nuts for rolled ballscrews	35
5	Peeled ballscrews	38
5.1	Properties	38
5.2	Tolerance classes	38
5.3	HIWIN order code for peeled ballscrews	39
5.4	Nuts for peeled ballscrews	40
6	Ground ballscrews	46
6.1	Properties	46
6.2	Tolerance classes	46
6.3	HIWIN order code for ground ballscrews	47
6.4	Nuts for ground ballscrews	48
7	Ballscrews for special requirements	58
7.1	Driven nut unit AME	58
7.2	Ballscrews for heavy-duty operation	59
8	Shaft ends and accessories	60
8.1	Shaft ends and bearing configuration	60
8.2	WBK bearing series	64
8.3	SFA/SLA bearing series	66
8.4	Housing for flange nuts (DIN 69051 Part 5)	69
8.5	EK/EF bearing series	70
8.6	BK/BF bearing series	72
8.7	FK/FF bearing series	74
8.8	Axial angular contact ball bearing	77
8.9	HIR lock nuts – radial clamping	84
8.10	HIA lock nuts – axial clamping	85

Ballscrews

Product overview

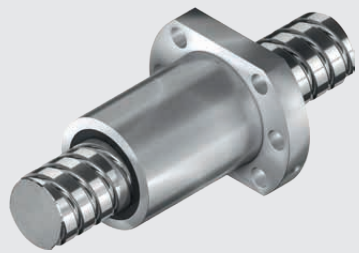
1. Product overview



Rolled ballscrews

[Page 33](#)

- Flange nuts and cylindrical nuts
- Reduced axial play available
- Nominal diameter 8 – 63 mm
- Standardised end machining



Peeled ballscrews

[Page 38](#)

- Flange nuts and cylindrical nuts
- Single and double nuts
- Nominal diameter 16 – 80 mm
- Standardised end machining



Ground ballscrews

[Page 46](#)

- Flange nuts and cylindrical nuts
- Single and double nuts
- Nominal diameter 6 – 100 mm
- Preloaded or minimum axial play



Ballscrews for special requirements

[Page 58](#)

- Driven nut unit
- Ballscrews for heavy-duty operation
- Safety nuts



Shaft ends and accessories

[Page 60](#)

- Standard end machining
- Standard spindle bearings
- Nut housing

Ballscrews

General information

2. General information

2.1 Properties

There are many benefits associated with HIWIN ballscrews including high efficiency, freedom from axial play, high rigidity and high lead accuracy. The characteristic properties and benefits of HIWIN ballscrews are described in detail below.

2.1.1 High efficiency in both directions

Thanks to the rolling contact between the shaft and nut, ballscrews can achieve an efficiency of up to 90 %.

The special surface treatment used on the ball tracks in HIWIN ballscrews reduces the frictional resistance between the ball and track.

The rolling motion of the balls only requires a low drive torque thanks to the high level of efficiency. Operating costs are therefore cut since less drive output is needed.

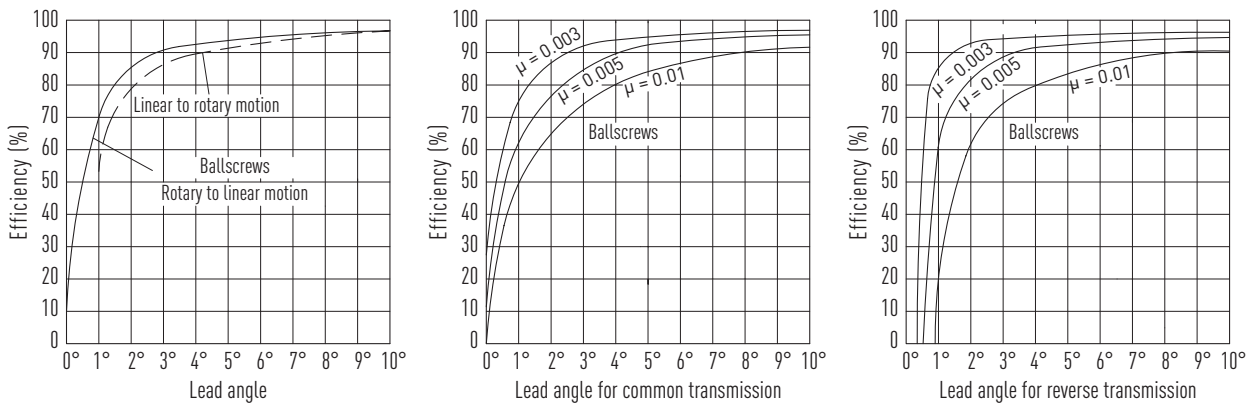


Fig. 2.1 Mechanical efficiency of threaded shafts

2.1.2 Zero play and high rigidity

The pointed profile HIWIN uses for ballscrew shafts and nuts allows the ballscrew nuts to be assembled without any axial play. A preload is usually used to achieve the good overall rigidity and repeatability.

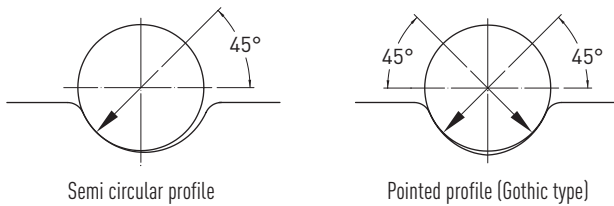


Fig. 2.2 Typical types of contact in ballscrews (semi circular type, Gothic type)

2.1.3 High lead accuracy

For applications requiring very high levels of accuracy, our production meets the requirements of ISO and JIS standards; but we manufacture to customer specifications too.

Accuracy is guaranteed by testing with our laser measurement systems and documented for the customer.

2.1.4 Reliable service life

Whereas the life of standard screw drives is determined by wear on the contact surfaces, HIWIN ballscrews can be used virtually up until the end of the metal's fatigue life. Great care is exercised in development, choice of material, heat treatment and manufacturing, as is demonstrated by the reliability and resilience of HIWIN ballscrews over their nominal service life. With every kind of ballscrew, the service

life depends on several influencing factors including design aspects, material quality, maintenance and most importantly the dynamic load rating (C_{dyn}). Profile accuracy, material properties and surface hardness are the fundamental factors affecting the dynamic load rating.

2.1.5 Low starting torque with smooth operation

The rolling friction of the balls in ballscrews only requires a very low starting torque. To achieve precise ball tracks, HIWIN uses a special design (adaptation factor) and special production procedures. This guarantees that the motor's drive torque remains in the range required.

Using computer-based measuring systems, the friction torque of every ballscrew is recorded and documented with great accuracy at HIWIN. Fig. 2.4 shows typical torque progress over travel.

In one particular step of manufacturing, HIWIN can check the profile of every single ball track. A sample report of this test is shown in Fig. 2.3.

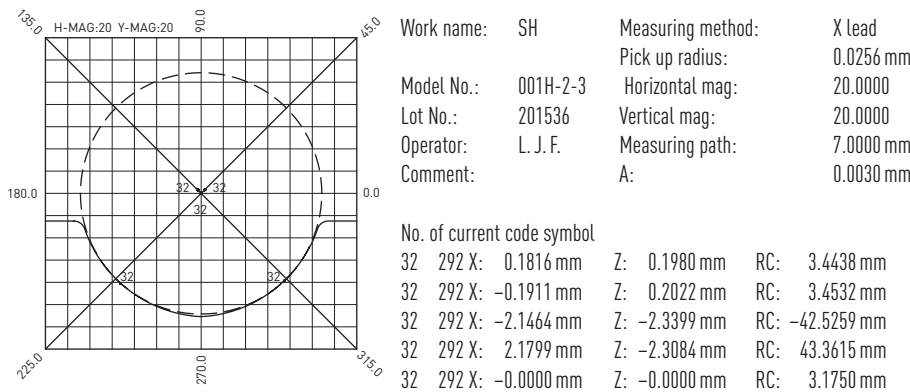


Fig. 2.3 Ball arch profile testing at HIWIN

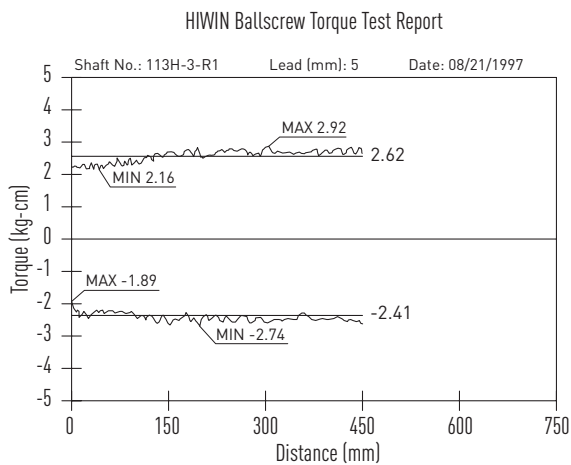


Fig. 2.4 Preload testing at HIWIN

2.1.6 Special solutions

HIWIN manufactures ballscrews in line with customer drawings or with HIWIN standard end machining. For the ballscrew definition the requirements on the project planning sheet must be documented and checked. This ensures that the ballscrew is ideally adapted to the requirements in place.

Ballscrews

Properties and selection

3. Structural properties and selection of HIWIN ballscrews

3.1 Design information

- a) Select a suitable ballscrew for your application (see Table 3.5). The relevant requirements must be noted for installation. For precision-ground ballscrews with CNC machines, this means careful alignment and the corresponding type of installation; for applications requiring less precision, we recommend rolled ballscrews, which require less work when designing the type of installation and bearings.

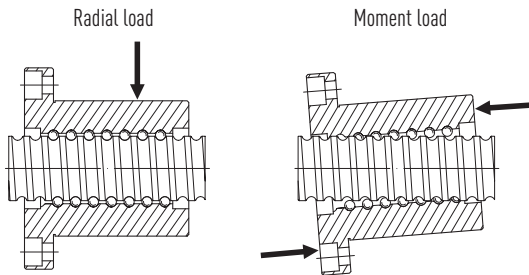


Fig. 3.1 **Uneven load distribution**, caused by insufficient alignment of support bearing and ballscrew nut, incorrect configuration of mounting surface, incorrect angle or error in aligning the nut flange

- b) It is particularly important that the bearing housing and ballscrew nut are assembled axially parallel; otherwise uneven load distribution would result. Radial and torque loads are also among the factors which result in uneven load distribution (see Fig. 3.1). This can cause functional limitations and shorten the service life (see Fig. 3.2).

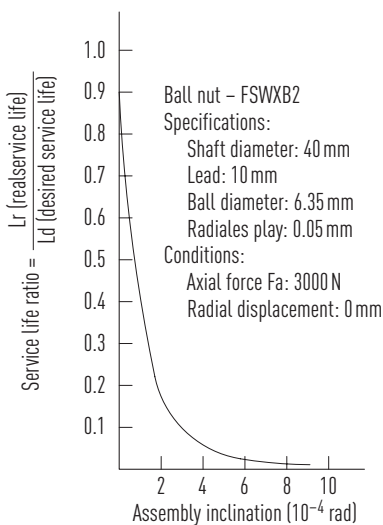


Fig. 3.2 **Impacts on life expectancy** of radial load caused by insufficient alignment

- c) Select the right type of bearing for the ballscrew shaft. When used in CNC machines, we recommend angular ball bearings (angle = 60°) because of their higher axial load capacity and the fact that they permit zero-backlash or pre-loaded installation. A selection of possible end machining processes and suitable floating and fixed bearings are listed in Chapter 8 onwards.

- d) Precautionary measures must be taken to stop the ballscrew nut once the useful path has been exceeded (see Fig. 3.3). Travel against an axial fixed stop results in damage.

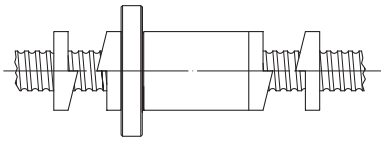


Fig. 3.3 **Mechanical stop which prevents the travel distance from being exceeded**

- e) In environments with high levels of dust or metal debris, ballscrews should be provided with a telescopic or bellows shaft protection (see Fig. 3.4).

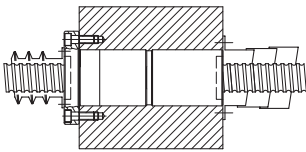


Fig. 3.4 **Telescopic or bellows shaft protection**

- f) When using an internal or end cap ball recirculation system, the ball thread must be cut to the end of the shaft. The diameter of the adjacent bearing journal must be around 0.5 – 1.0 mm less than the core diameter of the ball tracks (see Fig. 3.5).

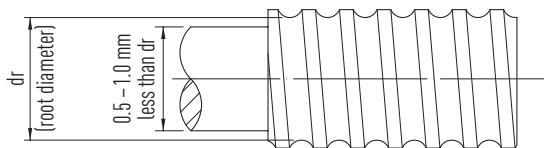


Fig. 3.5 **Special requirement of bearing journal with internal recirculation system**

- g) While surface-hardening the shafts, 2 to 3 thread turns are left unhardened on the two ends adjacent to the bearings so that connection modifications are possible. These areas are marked with the symbol in HIWIN drawings (see Fig. 3.6). Please contact HIWIN if you have special requirements for these areas.

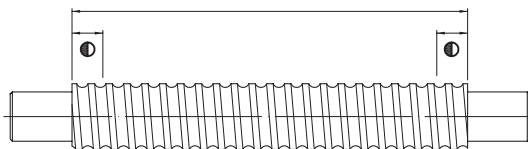


Fig. 3.6 **Area of surface hardening on a ballscrew shaft**

- h) Excess preload results in increased friction torque which in turn causes heating and therefore a reduced service life. On the other hand, insufficient preload reduces rigidity and increases the risk of backlash. For details, see Sections 3.6 and 3.7.7.

Ballscrews

Properties and selection

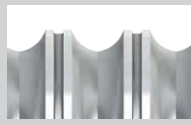

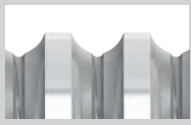
3.2 Procedure for selecting a ballscrew

Table 3.1 shows the procedure for selecting a ballscrew. The usage requirements (A) can be used to determine the necessary ballscrew parameters (B). The ballscrew suited to the application can therefore be determined one step at a time following the information provided (C).

Step	Usage requirement (A)	Ballscrew parameter (B)	Reference (C)
1	Positioning accuracy	Lead accuracy	Table 4.1, Table 5.1, Table 6.1
2	Speed	Lead of screw drive	$p = \frac{v_{\max}}{n_{\max}}$
3	Total length of travel distance	Total length of thread	Total length = thread length + length of end machining Thread length = travel distance + length of nut + distance which cannot be used due to connection design (e.g. nut housing, bearing housing etc.)
4	1 Load conditions [%] 2 Speed conditions [%] ($\leq 1/5$ C recommended)	Average axial load Average speed	Formulas F 3.4 – F 3.9
5	Average axial force	Preload	Formula F 3.5
6	1 Nominal service life 2 Average axial load 3 Average speed	Dynamic load rating	Section 3.7.2, "Service life"
7	1 Dynamic load rating 2 Lead of ballscrew 3 Critical speed 4 Speed limitation by D_N value	Shaft diameter and nut type	Section 3.7.2, "Service life"
8	1 Diameter of ballscrew 2 Nut type 3 Preload 4 Dynamic load rating	Rigidity	Section 3.7.7, "Rigidity"
9	1 Ambient temperature 2 Length of ballscrew	Thermal deformation and final value of cumulative lead (T)	Section 3.7.8, "Thermal expansion"
10	1 Shaft rigidity 2 Thermal deformation	Preload	Section 3.7.8, "Thermal expansion"
11	1 Max. table speed 2 Max. start-up time 3 Configuration of ballscrew	Motor drive torque and configuration of motor	Section 3.7.3, "Drive torque and drive output of motor"

3.3 Ballscrew shafts

HIWIN offers rolled, peeled and ground ballscrews – depending on the application requirements. For the selection of the appropriate shaft the individual characteristics are listed in [Table 3.2](#).

	Rolled	Peeled	Ground
Profile			
Manufacturing process	Forming process	Cutting process	Grinding process
Typical applications	Transportation	Transportation and positioning	Positioning
Tolerance classes	T5 – T10	T5 + T7	T0 – T5
Nominal diameter [mm]	8 – 63	16 – 80	6 – 100
Max. shaft length¹⁾ [mm]	500 – 5,600	3,300 – 6,500	110 – 10,000
Nut shapes	Flange nut Cylindrical nut	Flange nut Cylindrical nut Double nut	Flange nut Cylindrical nut Double nut
Availability	From stock	From stock	Upon request

¹⁾ Depends on the diameter and the tolerance class

3.4 Ball recirculation systems

HIWIN ballscrews are available with three different recirculation systems.

The external recirculation system consists of the return tubes and the clamping plate. The balls are placed in the ball track between the ballscrew shaft and nut. At the end of the nut, they are guided out of the ball track and back to the start via a return tube; ball circulation is therefore a closed circuit (see [Fig. 3.7](#)).

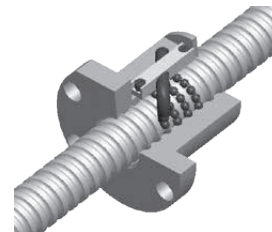


Fig. 3.7 External recirculation type nut

In the case of the internal single recirculation, the balls are each fed back to the beginning of a thread turn with the help of the deflecting parts. The balls undertake just one circuit around the shaft. The circuit is closed by a deflecting part in the ballscrew nut and allows the balls to return to the start via the rear of the thread. The position of the ball deflection in the nut gives the internal single recirculation system its name (see [Fig. 3.8](#)).

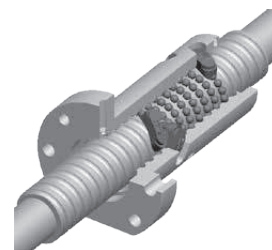


Fig. 3.8 Internal single recirculation type nut

The third type of return is the endcap recirculation system shown in [Fig. 3.9](#). It has the same basic principle as the external return, however, the balls are returned via a channel in the ballscrew nut. The balls perform one complete cycle in the ballscrew nut. The endcap return is also called "internal total recirculation".

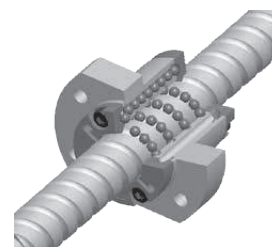


Fig. 3.9 Endcap recirculation type nut

Ballscrews

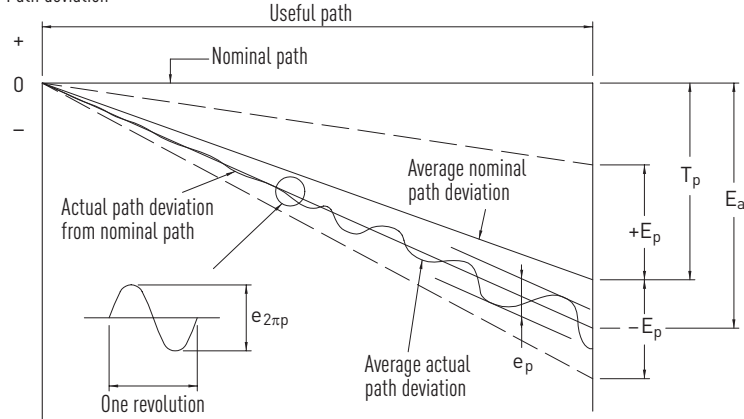
Properties and selection

3.5 Accuracy of the HIWIN ballscrews

3.5.1 Tolerance class

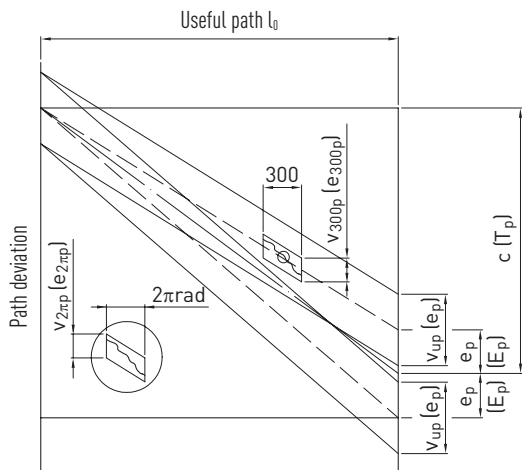
HIWIN ballscrews are produced in various tolerance classes depending on the application's accuracy requirements.

Path deviation



- T_p Difference between nominal and actual path. This value is determined by the various requirements of the customer's application.
- E_p Maximum actual path deviation from nominal path over complete distance.
- $e_{2\pi p}$ Path deviation within one revolution
- E_a Actual path, determined using laser measurement
- e_p Actual path deviation. Maximum deviation of total actual path from actual total nominal path in the corresponding area

Fig. 3.10 HIWIN measurement curve of lead of precision ballscrews



- e_{300p} Actual path deviation at 300 mm. Actual path deviation over 300 mm at any thread position
- $e_{0a} (E_a)$ Average actual path deviation over useful path l_0
- $C (T_p)$ Path compensation over useful path l_0
- $e_p (E_p)$ Limit deviation of nominal path
- $v_{up} (e_p)$ Permissible path deviation over useful path l_0
- $v_{300p} (e_{300p})$ Permissible path deviation over 300 mm
- $v_{2\pi p} (e_{2\pi p})$ Permissible path deviation over one revolution

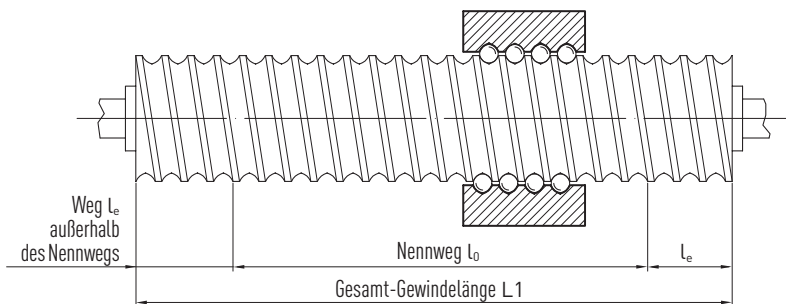


Fig. 3.11 DIN ISO measurement curve of lead of ballscrews

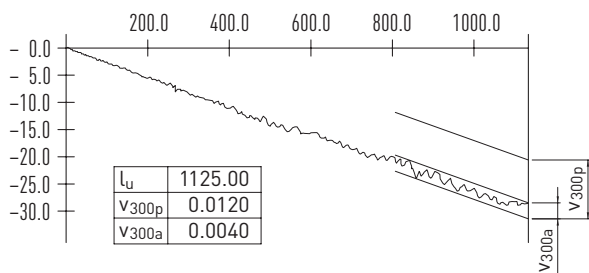
3.5.2 Travel fluctuation over 300 mm travel distance

As an international company, HIWIN produces ballscrews on the basis of DIN ISO 3408 in tolerance classes 0, 1, 3, 5, 7 and 10 and in accordance with the Japanese standard JIS in classes 0, 2 and 4. The tolerance classes as well as the permissible travel fluctuation v_{300p} over 300 mm path are listed in Table 3.3.

Table 3.3 International standards for tolerance classes of ballscrews

HIWIN tolerance class	T0	T1	T2	T3	T4	T5	T7	T10	
v_{300p}	DIN ISO	3.5	6	—	12	—	23	52	210
	JIS	3.5	—	8	—	18	—	—	—

Unit: [μm]



v_{300a} Travel fluctuation over 300 mm at any position
(measurement in accordance with DIN standard 69051-3-3)

Fig. 3.12 Travel fluctuation over 300 mm useful path

3.5.3 Path deviation and travel fluctuation over useful path

Positioning ballscrews

For positioning ballscrews (peeled and ground) the permissible path deviations over the useful path l_u are listed in Table 3.4.

Table 3.4 Tolerance classes of peeled and ground ballscrews

HIWIN tolerance class		T0		T1		T2		T3		T4		T5	
Useful path l_u		e_p	v_{up}	e_p	v_{up}	e_p	v_{up}	e_p	v_{up}	e_p	v_{up}	e_p	v_{up}
above	below												
—	315	4	3.5	6	6	12	8	12	12	23	18	23	23
315	400	5	3.5	7	6	13	10	13	12	25	20	25	25
400	500	6	4.0	8	7	15	10	15	13	27	20	27	26
500	630	6	4.0	9	7	16	12	16	14	30	23	32	29
630	800	7	5.0	10	8	18	13	18	16	35	25	36	31
800	1,000	8	6.0	11	9	21	15	21	17	40	27	40	34
1,000	1,250	9	6.0	13	10	24	16	24	19	46	30	47	39
1,250	1,600	11	7.0	15	11	29	18	29	22	54	35	55	44
1,600	2,000	13		18	13	35	21	35	25	65	40	65	51
2,000	2,500	15		22	15	41	24	41	29	77	46	78	59
2,500	3,150	18		26	17	50	29	50	34	93	54	96	69
3,150	4,000			32	21	60	35	62	41	115	65	115	82
4,000	5,000			39		72	41	76	49	140	77	140	99
5,000	6,300			48		90	50	92		170	93	170	119
6,300	8,000					110	60					210	130
8,000	10,000											260	145
10,000	12,000											320	180

e_p [μm] Path deviation: Limit deviation of nominal path
 v_{up} [μm] Travel fluctuation over useful path

Ballscrews

Properties and selection

Transportation ballscrews

For transportation ballscrews (rolled) the permissible path deviation over the useful path (tolerance for desired path) can be calculated with Formula F 3.1.

F 3.1

$$e_p = \pm \frac{l_u}{300} \times v_{300p}$$

- e_p Path deviation: Limit deviation of nominal path
- l_u Useful path
- v_{300p} Permissible travel fluctuation over 300 mm path

Curves of lead accuracy when measuring on a laser measuring device according to DIN ISO 3408

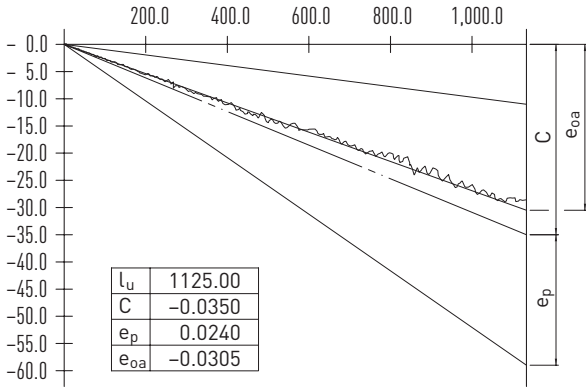


Fig. 3.13 Average path deviation over useful path l_u

- l_u Useful path
- C Travel compensation
- e_p Path deviation: Limit deviation of nominal path
- e_{oa} Average deviation of actual path

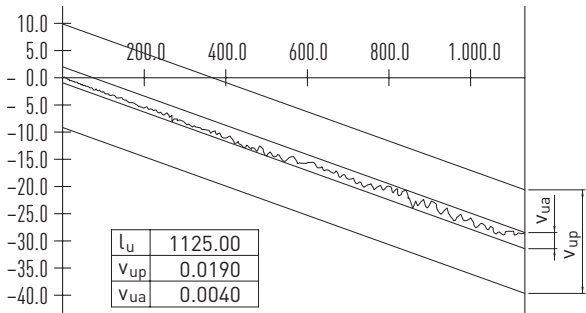


Fig. 3.14 Travel fluctuation over useful path l_u

- l_u Useful path
- v_{up} Permissible travel fluctuation over useful path
- v_{ua} Actual travel fluctuation over useful path

Table 3.5 Recommended tolerance classes for various applications

Application		Axis	Tolerance class						
			T0	T1	T2	T3	T4	T5	T7
CNC machine tools	Turning	X	○	○	○	○			
		Z				○	○	○	
	Milling Bore milling	X		○	○	○	○	○	
		Y		○	○	○	○	○	
		Z			○	○	○	○	
	Machining centres	X		○	○	○	○		
		Y		○	○	○	○		
		Z			○	○	○		
	Coordinate drilling	X	○	○					
		Y	○	○					
		Z	○	○					
	Drilling	X				○	○	○	
		Y				○	○	○	
		Z					○	○	○
	Grinding	X	○	○	○				
		Y		○	○	○			
	Die sinking	X		○	○	○			
		Y		○	○	○			
		Z			○	○	○	○	
	Wire eroding	X		○	○	○			
Y			○	○	○				
U			○	○	○	○			
V			○	○	○	○			
Laser cutting	X			○	○	○			
	Y			○	○	○			
	Z			○	○	○			
Other machines	Punching machine	X				○	○	○	
		Y				○	○	○	
	Wood processing machines								○
	Precision industrial robots		○	○	○	○			
	Industrial robots						○	○	
	Coordinate measuring device	○	○	○					
	Non-CNC machines				○	○	○		
	Transport units					○	○	○	
	X-Y tables		○	○	○	○	○		
	Linear electric lifting cylinders						○	○	
	Aircraft landing gear						○	○	
	Wing control						○	○	
	Gate valves							○	
	Power-assisted steering systems								○
	Glass grinders			○	○	○	○	○	
	Surface grinders						○	○	
	Induction hardening machine								○
Electric machines		○	○	○	○	○	○	○	

Ballscrews

Properties and selection

3.5.4 Tolerance details and measuring methods for HIWIN ballscrews

Table 3.6 Radial runout t_5 of ballscrew shaft outer diameter related to AA' per length l_5 (measurement in accordance with DIN ISO 3408)

Nominal $\varnothing d_0$ [mm]	Reference length [mm]	Tolerance class t_{5p} [μm] for l_5								
above	up to	l_5	T0	T1	T2	T3	T4	T5	T7	T10
6	12	80	16	20	23	25	25	32	40	80
12	25	160	16	20	23	25	25	32	40	80
25	50	315	16	20	23	25	25	32	40	80
50	100	630	16	20	23	25	25	32	40	80
100	200	1,250	16	20	23	25	25	32	40	80
l_1/d_0		Tolerance class t_{5maxp} [μm] for $l_1 > 4l_5$								
above	up to	T0	T1	T2	T3	T4	T5	T7	T10	
—	40	32	40	45	50	50	64	80	160	
40	60	48	60	70	75	75	96	120	240	
60	80	80	100	115	125	125	160	200	400	
80	100	128	160	180	200	200	256	320	640	

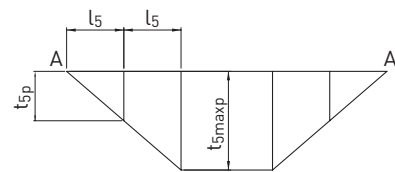
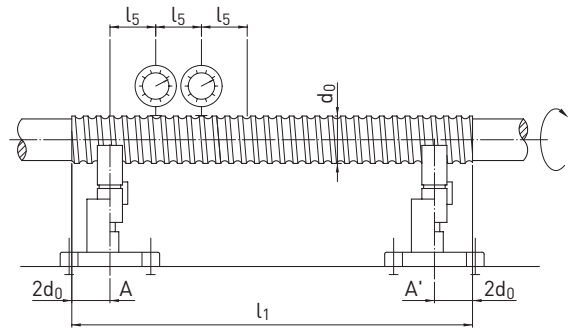


Table 3.7 Radial runout $t_{6,1}$ of bearing seat related to AA' per unit length l (measurement in accordance with DIN ISO 3408)

Nominal $\varnothing d_0$ [mm]	Reference length [mm]	Tolerance class $t_{6,1p}$ [μm] for l								
above	up to	l	T0	T1	T2	T3	T4	T5	T7	T10
6	20	80	6	10	11	12	12	20	40	63
20	50	125	8	12	14	16	16	25	50	80
50	125	200	10	16	18	20	20	32	63	100
125	200	315	—	—	20	25	25	40	80	125

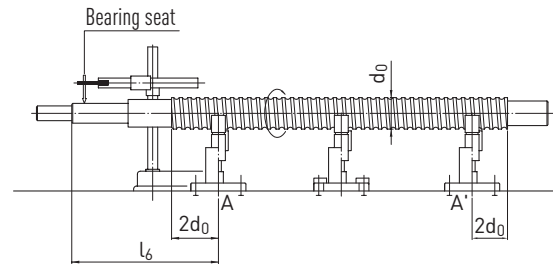


Table 3.8 Radial runout $t_{6,2}$ of bearing seat related to the centre line of the screw part (measurement in accordance with DIN ISO 3408)

Nominal $\varnothing d_0$ [mm]		Tolerance class $t_{6,2p}$ [μm]			
above	up to	T0	T1	T3	T5
—	8	3	5	8	10
8	12	4	5	8	11
12	20	4	6	9	12
20	32	5	7	10	13
32	50	6	8	12	15
50	80	7	9	13	17
80	125	—	10	15	20

Table 3.9 Radial runout $t_{7,1}$ of journal diameter related to the bearing seat (measurement in accordance with DIN ISO 3408)

Nominal $\varnothing d_0$ [mm]	Reference length [mm]	Tolerance class $t_{7,1p}$ [μm] for l									
above	up to	l	T0	T1	T2	T3	T4	T5	T7	T10	
6	20	80	4	5	6	6	6	8	12	16	
20	50	125	5	6	7	8	8	10	16	20	
50	125	200	6	8	8	10	10	12	20	25	
125	200	315	—	—	10	12	12	16	25	32	

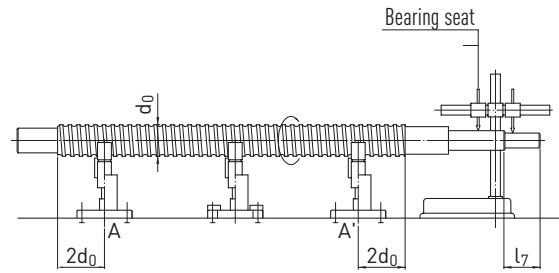


Table 3.10 Radial runout $t_{7,2}$ of the journal diameter related to the centre line of the bearing seat (measurement in accordance with DIN ISO 3408)

Nominal $\varnothing d_0$ [mm]	Tolerance class $t_{7,2p}$ [μm]				
above	up to	T0	T1	T3	T5
—	8	3	5	8	10
8	12	4	5	8	11
12	20	4	6	9	12
20	32	5	7	10	13
32	50	6	8	12	15
50	80	7	9	13	17
80	125	—	10	15	20

Table 3.11 Axial runout $t_{8,1}$ of shaft (bearing) faces related to AA' (measurement in accordance with DIN ISO 3408)

Nominal $\varnothing d_0$ [mm]	Tolerance class $t_{8,1p}$ [μm]									
above	up to	T0	T1	T2	T3	T4	T5	T7	T10	
6	63	3	3	3	4	4	5	6	10	
63	125	3	4	4	5	5	6	8	12	
125	200	—	—	6	6	6	8	10	16	

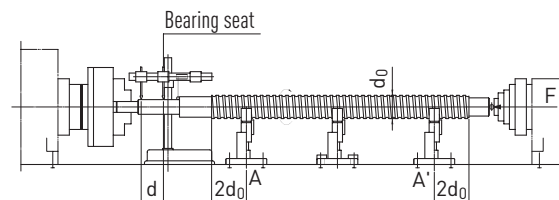


Table 3.12 Axial runout $t_{8,2}$ of the shaft faces related to the centre line of the screw shaft (measurement in accordance with DIN ISO 3408)

Nominal $\varnothing d_0$ [mm]	Tolerance class $t_{8,2p}$ [μm]				
above	up to	T0	T1	T3	T5
—	8	2	3	4	5
8	12	2	3	4	5
12	20	2	3	4	5
20	32	2	3	4	5
32	50	2	3	4	5
50	80	3	4	5	7
80	125	—	4	6	8

Ballscrews

Properties and selection

Table 3.13 Axial runout t_7 of ballscrew nut location face related to AA' (for preloaded ballscrew nuts only) (measurement in accordance with DIN ISO 3408)

Flange diameter D_2 [mm]		Tolerance class t_{7p} [μm]							
above	up to	T0	T1	T2	T3	T4	T5	T7	T10
16	32	8	10	10	12	12	16	20	—
32	63	10	12	12	16	16	20	25	—
63	125	12	16	16	20	20	25	32	—
125	250	16	20	20	25	25	32	40	—
250	500	—	—	15	32	32	40	50	—

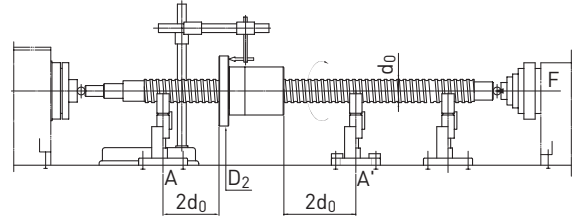


Table 3.14 Radial runout t_{10} of ballscrew nut location diameter related to AA' (for preloaded and rotating ballscrew nuts only) (measurement in accordance with DIN ISO 3408)

Outer diameter D_1 of ballscrew nut [mm]		Tolerance class t_{10p} [μm]							
above	up to	T0	T1	T2	T3	T4	T5	T7	T10
16	32	8	10	10	12	12	16	20	—
32	63	10	12	12	16	16	20	25	—
63	125	12	16	16	20	20	25	32	—
125	250	16	20	20	25	25	32	40	—
250	500	—	—	—	32	32	40	50	—

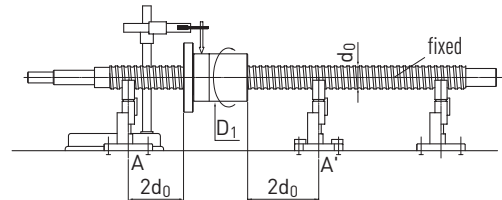
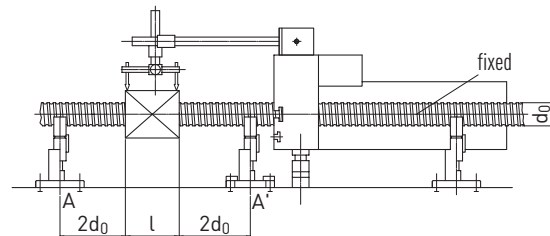


Table 3.15 Parallelism deviation t_{11} of rectangular ballscrew nut related to AA' (for preloaded ballscrew nuts only) (measurement in accordance with ISO 3408)

Tolerance class t_{11p} [μm] / 100 mm, cumulative							
T0	T1	T2	T3	T4	T5	T7	T10
14	16	16	20	20	25	32	—



3.6 Preload and play

The axial force F_a , caused by outer drive forces or inner preload forces, produces two kinds of axial play. Firstly, axial play S_a , that originates from the air between the ball and ball track. Secondly, the spring compression play $\Delta\ell$, caused by the force F_n , which acts vertically on the point of contact.

By default, rolled and peeled ballscrews are delivered with slight play. This is sufficient for most applications, and has the advantage that the ballscrews run smoothly and a low starting torque is required.

If increased demands are placed on the positioning accuracy and rigidity, the ballscrew should be used with no axial play or preloaded. For preloading, different methods are available, which are explained below.

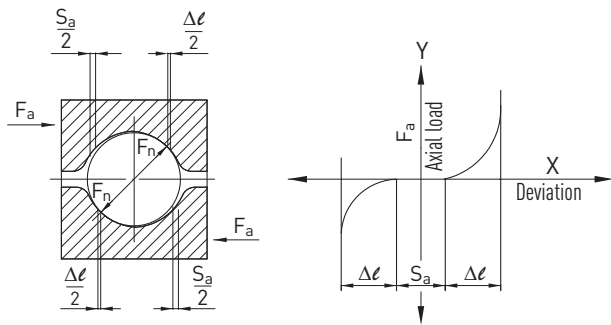


Fig. 3.15 Gothic arch profile and preload

3.6.1 HIWIN types of preload

Preload can be generated either with double nuts, or single nuts with lead offset or in the case of preloaded single nuts by adjusting the ball size.

Preloaded single nuts

There are two kinds of preload for the single nuts. One of these is the "preload method with oversized balls". This involves balls which are slightly larger than the space in the ball tracks between spindle and nut; the ball therefore makes contact at four points (see Fig. 3.16).

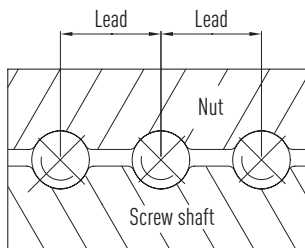


Fig. 3.16 Preload from ball size

The other method is known as "preload from lead offset" (see Fig. 3.17). The nut is ground such that it is offset from the central lead. This type of preload takes the place of the classic double nut preload and offers the benefit that a compact single nut with good rigidity can be used with low preload forces. This method is not, however, suited to use with high preloads and high leads. The recommend preload force is less than 5% of the dynamic load rating (C).

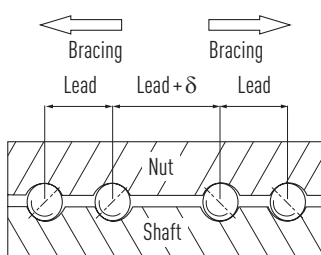


Fig. 3.17 Preload from lead offset

Ballscrews

Properties and selection

Preloaded double nuts

The preload is generated by inserting a spacer between the nuts (see Fig. 3.18). The 0 preload results from fitting an oversized spacer which pushes the halves of the nut apart. The X preload is generated with an undersized spacer which pulls the nuts together.

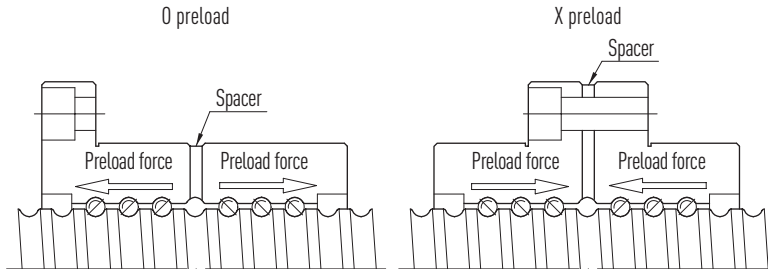


Fig. 3.18 Preload from spacer

3.6.2 Effects of preload

Preload increases the thread's friction torque and therefore causes increases in temperature during operation. To ensure a long service life and low increase in temperature, the maximum preload should not exceed 5 % of the dynamic load rating for single nuts and 10 % for double nuts.

Furthermore preload has an effect on the running characteristics. Besides an increase in idle torque it leads to fluctuations in idle torque, especially with ballscrews with high tolerance classes. (see Section 3.6.3).

Basically, ballscrews should only be preloaded when it is absolutely necessary to avoid axial play.

3.6.3 Idle torque fluctuation

(1) Measuring method

Preload produces a friction torque between nut and threaded shaft. This is measured by moving the threaded shaft at constant speed while holding the nut with a special locking device (see Fig. 3.19).

The force F_{Pr} measured by the force sensor is used to calculate the idle torque of the threaded shaft.

F 3.2

$$T_d = \frac{K_p \times F_{Pr} \times P}{2000 \times \pi}$$

T_d Idle torque of preloaded nut

F_{Pr} Preload force

P Lead

K_p Preload friction coefficient

$$K_p = \frac{1}{\eta_1} - \eta_2 \quad (\text{between } 0.1 \text{ and } 0.3)$$

η_1, η_2 are the mechanical efficiencies of the ballscrew

(2) Measurement conditions

1. Without wiper
2. Speed: 100 rpm
3. Dynamic viscosity of lubricant 61.2 – 74.8 cSt [mm/s] at 40 °C, complying with ISO VG 68 or JIS K2001

(3) The result of the measurement is displayed using standard depiction of idle torque; the nomenclature is shown in Fig. 3.19.

(4) Fluctuations in idle torque (incorporated in the tolerance class definition) are listed in Table 3.16.

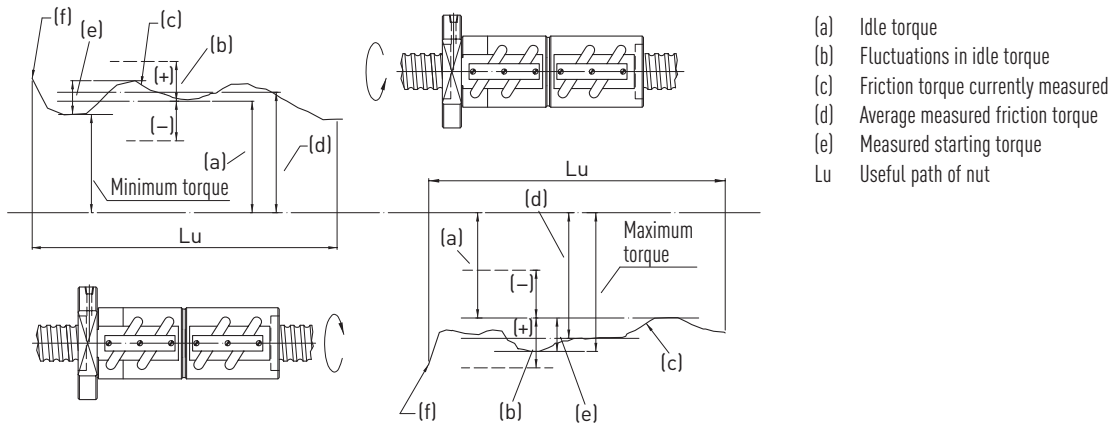


Fig. 3.19 Nomenclature for measuring idle torques

Table 3.16 Fluctuation range of idle torque with preload in % (in accordance with DIN ISO 3408)

Basic friction torque T_{p0} [Nm]		Length of useful path of thread [mm]																				
		4,000 mm maximum														over 4,000 mm						
		Slenderness ratio ≤ 40 Tolerance class							40 < Slenderness ratio < 60 Tolerance class							Tolerance class						
Above	Up to	T0	T1	T2	T3	T4	T5	T7	T0	T1	T2	T3	T4	T5	T7	T0	T1	T2	T3	T4	T5	T7
0.2	0.4	30	35	40	40	45	50	—	40	40	50	50	60	60	—	—	—	—	—	—	—	—
0.4	0.6	25	30	35	35	40	40	—	35	35	40	40	45	45	—	—	—	—	—	—	—	—
0.6	1.0	20	25	30	30	35	35	40	30	30	35	35	40	40	45	—	—	—	40	43	45	50
1.0	2.5	15	20	25	25	30	30	35	25	25	30	30	35	35	40	—	—	—	35	38	40	45
2.5	6.3	10	15	20	20	25	25	30	20	20	25	25	30	30	35	—	—	—	30	33	35	40
6.3	10.0	—	—	15	15	20	20	30	—	—	20	20	25	25	35	—	—	—	25	23	30	35

Note:

1. Slenderness ratio = thread length of shaft/nominal diameter of shaft [mm]
2. To calculate the idle torque, see Formula F 3.2
3. For more information, please contact HIWIN

Ballscrews

Properties and selection

3.7 Calculations

Bases of calculations in accordance with DIN ISO 3408.

3.7.1 Load ratings

Dynamic load rating C_{dyn} (theoretical)

The dynamic load rating describes the load at which 90 % of all ballscrews reach a life expectancy of 1×10^6 revolutions (C). The reliability factor can be taken into account in accordance with [Table 3.17](#). The dynamic load rating is listed in the dimensions tables for the nuts.

Static load rating C_0

The static load rating describes the load which causes permanent deformation of the ball track of more than 0.0001 of the ball diameter. In order to calculate the maximum static load rating, the static structural safety S_0 of the application conditions must be taken into account.

$$F 3.3 \quad S_0 \times F_{amax} < C_0$$

S_0 Static structural safety
 C_0 Static load rating (dimensions table for nut)
 F_{amax} Max. static axial load

3.7.2 Service life

a) Average speed n_m

$$F 3.4 \quad n_m = n_1 \times \frac{t_1}{100} + n_2 \times \frac{t_2}{100} + n_3 \times \frac{t_3}{100} + \dots$$

n_m Average speed, total [rpm]
 n_n Average speed in phase n [rpm]
 t_n Amount of time in phase n [%]

b) Preload

$$F 3.5 \quad F_{pr} = \frac{f_{pr}}{100\%} \times C_{dyn}$$

F_{pr} Preload force
 C_{dyn} Dynamic load rating
 f_{pr} Preload factor in %
Single nut $f_{pr} \leq 5\%$
Double nut $f_{pr} \leq 10\%$
 F_{lim} Disengagement force

$$F 3.6 \quad F_{lim} = 2^{3/2} \times F_{pr}$$

Distinction of cases:

$F_n > F_{lim}$ No influence from preload: $F_{bn} = F_n$
 $F_n < F_{lim}$ Influence from preload: Formula [F 3.7](#)

$$F 3.7 \quad F_{bn} = \left(1 + \frac{F_n}{2^{3/2} \times F_{pr}} \right)^{3/2} \times F_{pr}$$

F_n Axial loading in phase n
 F_{bn} Operating axial loading in phase n

F_n must be calculated for all phases and used in Formula [F 3.7](#).

c) Average operating load F_{bm}

- With alternating load and constant speed

F 3.8

$$F_{bm} = \sqrt[3]{F_{b1}^3 \times \frac{t_1}{100} \times f_{p1}^3 + F_{b2}^3 \times \frac{t_2}{100} \times f_{p2}^3 + F_{b3}^3 \times \frac{t_3}{100} \times f_{p3}^3 \dots}$$

- F_{bm} Average operating load [N]
- F_{bn} Operating axial loading in phase n
- f_p Operating condition factor
- f_p 1.1 – 1.2 operation without impact
- 1.3 – 1.8 operation under normal conditions
- 2.0 – 3.0 operation with high impact and with vibrations
- 3.0 – 5.0 short-stroke applications < 3 × nut length

- With alternating load and alternating speed:

F 3.9

$$F_{bm} = \sqrt[3]{F_{b1}^3 \times \frac{n_1}{n_m} \times \frac{t_1}{100} \times f_{p1}^3 + F_{b2}^3 \times \frac{n_2}{n_m} \times \frac{t_2}{100} \times f_{p2}^3 + F_{b3}^3 \times \frac{n_3}{n_m} \times \frac{t_3}{100} \times f_{p3}^3 \dots}$$

d) Axial loading on both sides:

- Service life in revolutions

F 3.10

$$L_1 = \left(\frac{C_{dyn}}{F_{bm1}} \right)^3 \times 10^6$$

$$L_2 = \left(\frac{C_{dyn}}{F_{bm2}} \right)^3 \times 10^6$$

- L_1 Service life in revolutions, forward motion
- L_2 Service life in revolutions, backward motion
- C_{dyn} Dynamic load rating [N]
- F_{bm1} Average operating load, forward motion
- F_{bm2} Average operating load, backward motion
- L Service life in revolutions

F 3.11

$$L = \left(L_1^{-10/9} + L_2^{-10/9} \right)^{-9/10}$$

- Conversion of service life into operating hours

F 3.12

$$L_h = \frac{L}{n_m \times 60}$$

- L_h Service life in operating hours
- n_m Average speed [rpm], see Formula F 3.4

- Conversion of distance travelled [km] into operating hours:

F 3.13

$$L_h = \left(\frac{L_{km} \times 10^6}{P} \right) \times \frac{1}{n_m \times 60}$$

- L_h Service life in operating hours
- L_{km} Service life in distance travelled [km]
- P Lead [mm]
- n_m Average speed [rpm]

- The modified service life with different reliability factors is calculated using

F 3.14

$$L_m = L \times f_r$$

$$L_{hm} = L_h \times f_r$$

- f_r Reliability factor (see Table 3.17)

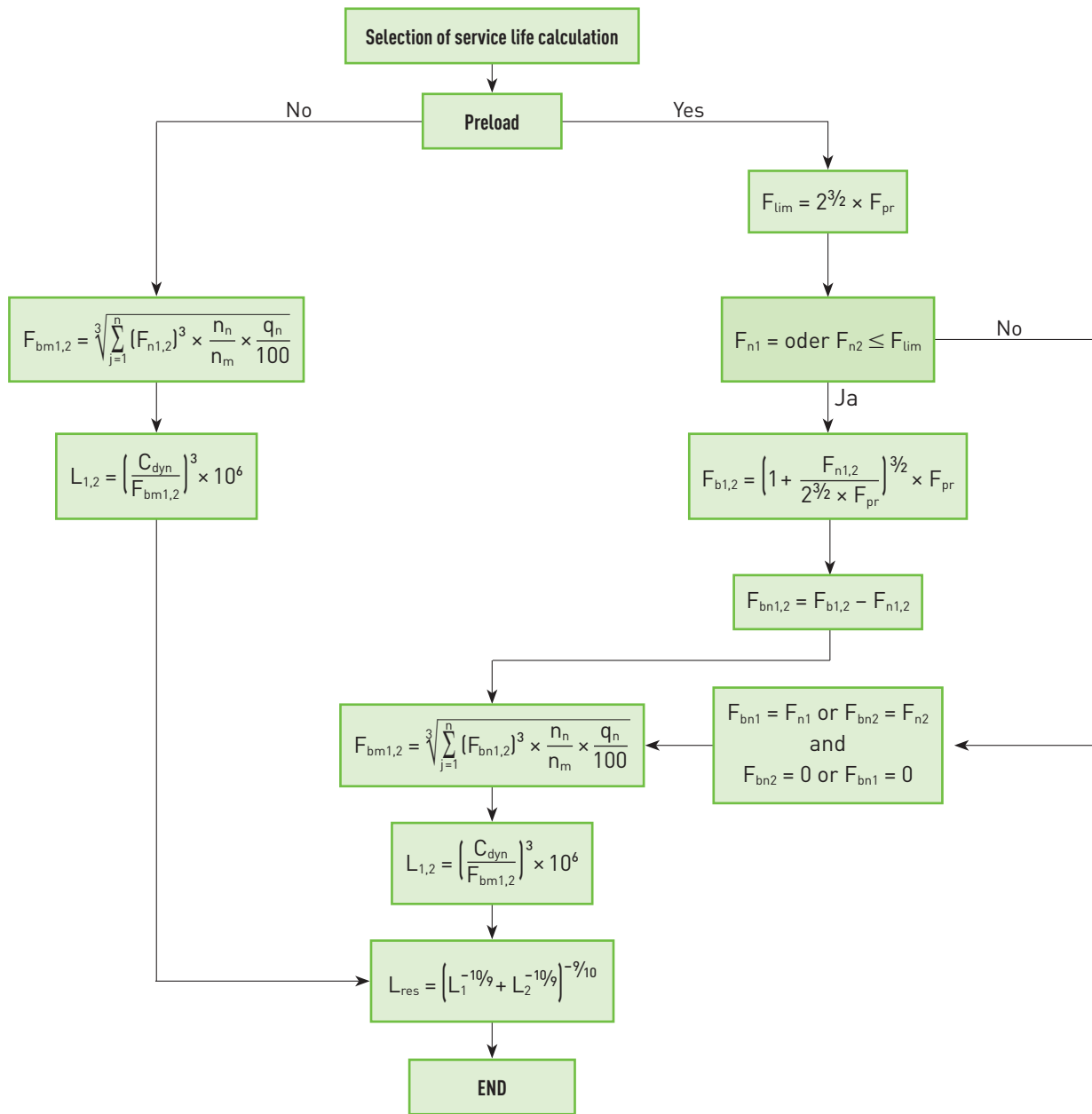
Table 3.17 Reliability factor for calculating service life

Resilience %	Reliability factor f_r
90	1.00
95	0.63
96	0.53
97	0.44
98	0.33
99	0.21

Ballscrews

Properties and selection

Flow chart for calculating service life



3.7.3 Drive torque and drive output of motor

Fig. 3.20 shows the influencing parameters of a feed system with ballscrew.

Below you will find the formula for calculating the drive torque required of the motor:

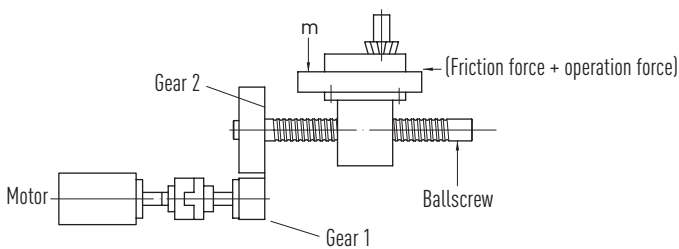


Fig. 3.20 Load trend of a system with ballscrew

- Normal operation (conversion of rotary motion into linear motion)

F 3.15

$$T_a = \frac{F_w \times P}{2,000 \times \pi \times \eta_1}$$

- T_a Drive torque for normal operation [Nm]
- T_c Drive torque for reverse operation [Nm]
- F_w Effective axial load [N], friction force + operating force
- P Lead [mm]
- η_1 Mechanical efficiency (0.85 – 0.95), normal operation
- η_2 Mechanical efficiency (0.75 – 0.85), reverse operation

- Reverse operation (conversion of linear motion into rotary motion)

F 3.16

$$T_c = \frac{F_w \times P \times \eta_2}{2,000 \times \pi}$$

- Drive torque of motor
- For normal operation:

F 3.17

$$T_M = (T_a + T_b + T_d) \frac{N_1}{N_2}$$

- T_M Motor drive torque [Nm]
- T_b Friction torque of support bearing [Nm]
- T_d Idle torque [Nm]
- N_1 Number of teeth on driving gear wheel
- N_2 Number of teeth on driven gear wheel

For acceleration:

F 3.18

$$T'_a = J \times \alpha$$

- T'_a Motor drive torque during acceleration [Nm]
- J Inertia torque of system [Nm²]
- α Angular acceleration [rad/s²]
- t_a Acceleration start-up time [s]
- n_1 Initial speed [rpm]
- n_2 Final speed [rpm]

F 3.19

$$\alpha = \frac{2\pi \times \Delta n}{60 \times t_a}$$

F 3.20

$$\Delta n = n_2 - n_1$$

F 3.21

$$J = J_M + J_{G1} + J_{G2} \times \left(\frac{N_1}{N_2}\right)^2 + \frac{1}{2} m_r \times \left(\frac{d_n}{2000}\right)^2 \times \left(\frac{N_1}{N_2}\right)^2 + m_l \times \left(\frac{P}{2000\pi}\right)^2 \times \left(\frac{N_1}{N_2}\right)^2$$

= motor inertia + equivalent gear inertia + inertia of ballscrew (see Fig. 3.20)

- m_r Mass of rotating parts [kg]
- m_l Mass of components moved in linear fashion [kg]
- d_n Nominal diameter of ballscrew [mm]
- J_M Motor inertia [kgm²]
- J_{G1} Inertia of drive gear [kgm²]
- J_{G2} Inertia of driven gear [kgm²]

Total drive torque:

F 3.22

$$T_{Ma} = T_M + T'_a$$

- T_{Ma} Total drive torque [Nm]

Ballscrews

Properties and selection

○ Drive output

F 3.23

$$P_A = \frac{T_{pmax} \times n_{max}}{9,550}$$

○ Acceleration time check

F 3.24

$$t_a = \frac{J}{T_{M1} - T_L} \times \frac{2\pi \times n_{max}}{60} \times f$$

- P_A Maximum reliable drive output [kW]
- T_{pmax} Maximum drive torque (safety factor $\times T_{max}$) [Nm]
- n_{max} Maximum speed [rpm]
- t_a Acceleration start-up time [s]
- J Total inertia torque [kgm²]
- T_{M1} Nominal torque of motor [Nm]
- T_L Drive torque at nominal speed [Nm]
- f Safety factor = 1.5

3.7.4 Buckling load

F 3.25

$$F_k = 4.072 \times 10^5 \left(\frac{f_k \times d_k^4}{l_s^2} \right)$$

F 3.26

$$F_{kmax} = 0.5 \times F_k$$

- F_k Permissible load [N]
- F_{kmax} Max. permissible load [N]
- d_k Core diameter of threaded shaft [mm]
- l_s Unsupported shaft length [mm] (see Fig. 3.21)
- f_k Factor for different types of assembly (buckling load)

Fixed bearing – fixed bearing	$f_k = 1.0$
Fixed bearing – supported bearing	$f_k = 0.5$
Supported bearing – supported bearing	$f_k = 0.25$
Fixed bearing – no bearing	$f_k = 0.0625$

3.7.5 Critical speed

F 3.27

$$n_k = 2.71 \times 10^8 \left(\frac{f_n \times d_k}{l_s^2} \right)$$

F 3.28

$$n_{kmax} = 0.8 \times n_k$$

- n_k Critical speed [rpm]
- n_{kmax} Max. permissible speed [rpm]
- d_k Core diameter of threaded shaft [mm]
- l_s Unsupported shaft length [mm] (see Fig. 3.21)
- f_n Factor for different types of assembly (critical speed)

Fixed bearing – fixed bearing	$f_n = 1.0$
Fixed bearing – supported bearing	$f_n = 0.692$
Supported bearing – supported bearing	$f_n = 0.446$
Fixed bearing – no bearing	$f_n = 0.147$

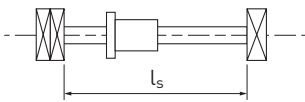


Fig. 3.21 Definition of „Unsupported shaft length“

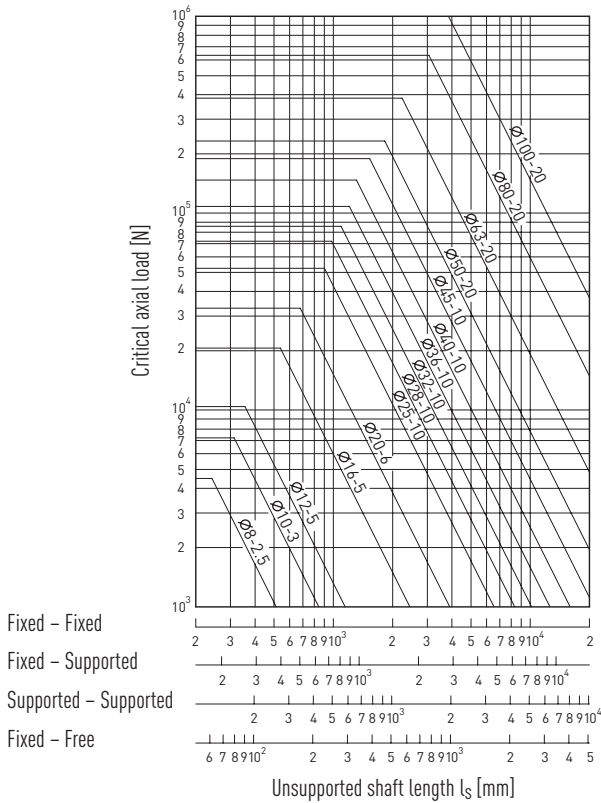


Fig. 3.22 Buckling load for different diameters and lengths of threaded shafts

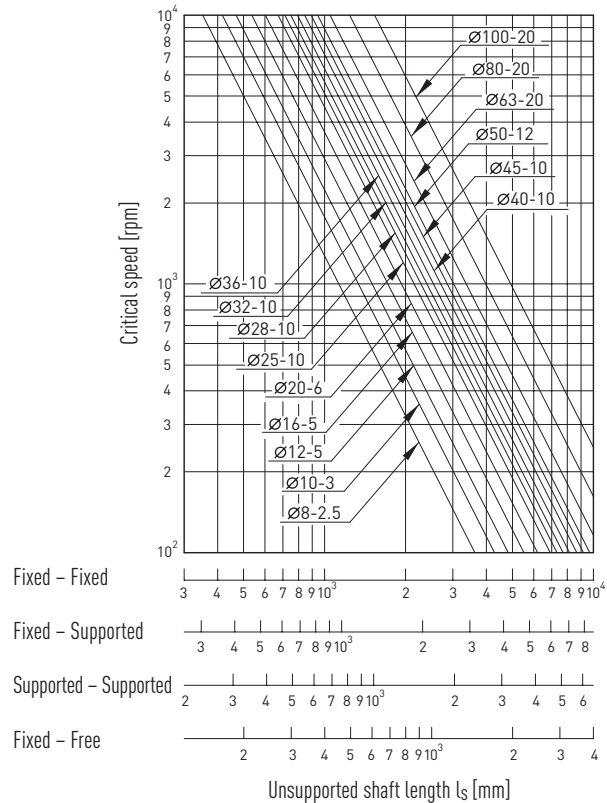


Fig. 3.23 Critical speed for different diameters and lengths of threaded shafts

3.7.6 D_N value for working speed of a ballscrew

The specific speed value D_N has a huge influence on the behaviour of the ballscrew in terms of noise and heat development and service life of the recirculation system.

For HIWIN ballscrews

F 3.29 $D_N = d_s \times n_{max}$

d_s Shaft diameter [mm]
 n_{max} Max. speed [rpm]

$D_N \leq 70,000$ for rolled ballscrews

$D_N \leq 90,000$ for peeted and ground ballscrews

$D_N \leq 180,000$ for high-speed ballscrews

3.7.7 Rigidity

Rigidity describes the flexibility of a machine element. The overall rigidity of a ballscrew is determined by the axial rigidity of the nut/shaft system, the contact rigidity of the ball track and the rigidity of the threaded shaft. The following factors should also be taken into account when fitting the ballscrew in a machine: rigidity of support bearings, assembly conditions of nuts with table etc.

The rigidity of the nut/shaft unit and the ball and ball track can be combined to produce the rigidity of the nut R_n , which is listed in the dimensions tables for the different types of nuts.

- Rigidity of a ballscrew

F 3.30 $\frac{1}{R_{bs}} = \frac{1}{R_s} + \frac{1}{R_n}$

R_{bs} Overall rigidity of a ballscrew [N/ μ m]
 R_s Rigidity of threaded shaft [N/ μ m]
 R_n Rigidity of nut [N/ μ m]

Ballscrews

Properties and selection

Rigidity of threaded shaft

F 3.31

$$R_{s1} = \frac{\pi \times d_c^2 \times E}{4 \times l_1 \times 10^3}$$

fixed – floating/unsupported

F 3.32

$$R_{s2} = \frac{\pi \times d_c^2 \times E}{4 \times l_1 \times 10^3} \times \frac{l_2}{l_2 - l_1}$$

fixed – fixed

F 3.33

$$d_c = \text{PCD} - D_k \times \cos \alpha$$

- R_s Rigidity of threaded shaft [N/μm]
- d_c Diameter on which the force acts on the ballscrew shaft
- E Elasticity module [N/mm²]
- α Contact angle between ball and track [°]
- PCD Ball centre diameter of circle [mm]
- D_k Nominal diameter of ball [mm]
- l_1 Distance between bearing and nut [mm]
- l_2 Distance between bearing and bearing [mm]

Rigidity of nut

The nut rigidity can be checked using an axial force corresponding to the maximum possible preload of 10 % of the dynamic load rating (C_{dyn}) (this is listed in the dimensions tables for the nuts). With a lower preload, the nut rigidity can be determined by extrapolation:

F 3.34

$$R_n = 0.8 \times R \times \left(\frac{F_{pr}}{0.1 \times C_{dyn}} \right)^{1/3}$$

- R_n Rigidity of nut [N/μm]
- R Rigidity in accordance with dimensions table [N/μm]
- F_{pr} Preload [N]
- C_{dyn} Dynamic load rating from dimensions table [N]

The rigidity of a single nut with play can be calculated as follows with an external axial load of $0.28 C_{dyn}$:

F 3.35

$$R_n = 0.8 \times K \times \left(\frac{F_{bm}}{0.28 \times C_{dyn}} \right)^{1/3}$$

The axial rigidity of a feed system includes that of the support bearing and assembly table. The total rigidity should be noted with care when configuring the system.

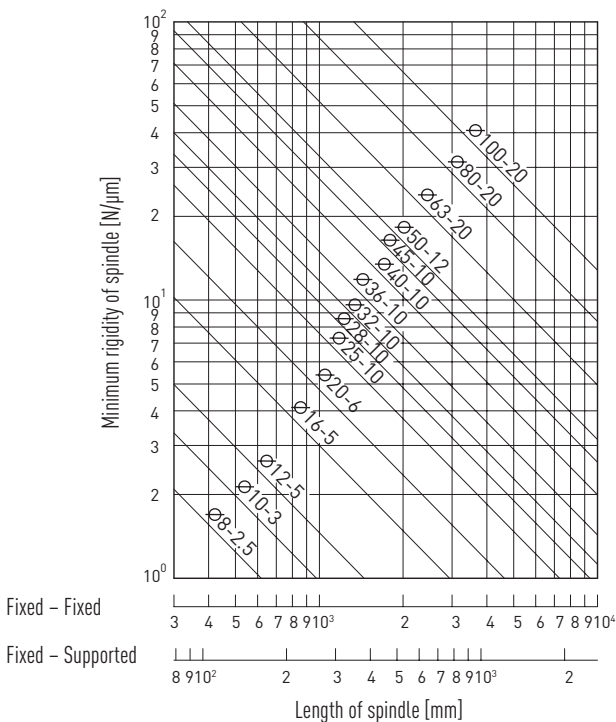
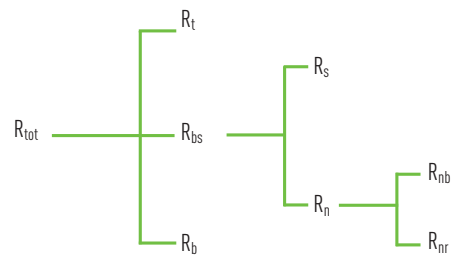


Fig. 3.24 Rigidity diagram for ballscrews



- R_{tot} Total rigidity of feed system
- R_t Rigidity of assembly table
- R_b Rigidity of support bearing
- R_{bs} Rigidity of ballscrew
- R_s Rigidity of threaded shaft
- R_n Rigidity of ballscrew nut
- R_{nb} Rigidity of balls and ball track
- R_{nr} Rigidity of nut/shaft system with radial load

Fig. 3.25 Rigidity factors for feed systems with ballscrews

3.7.8 Thermal expansion

An increase in temperature in ballscrew shafts during operation impacts on the accuracy of a machine's feed system, since the threaded shaft extends through the thermal stress.

The following factors affect the temperature increase in ballscrews:

- 1) Preload
- 2) Lubrication
- 3) Stretching of the shaft

Fig. 3.26 shows the relationship between operating speed, preload and temperature increase. Fig. 3.27 shows the temperature increase in the nut depending on idle torque.

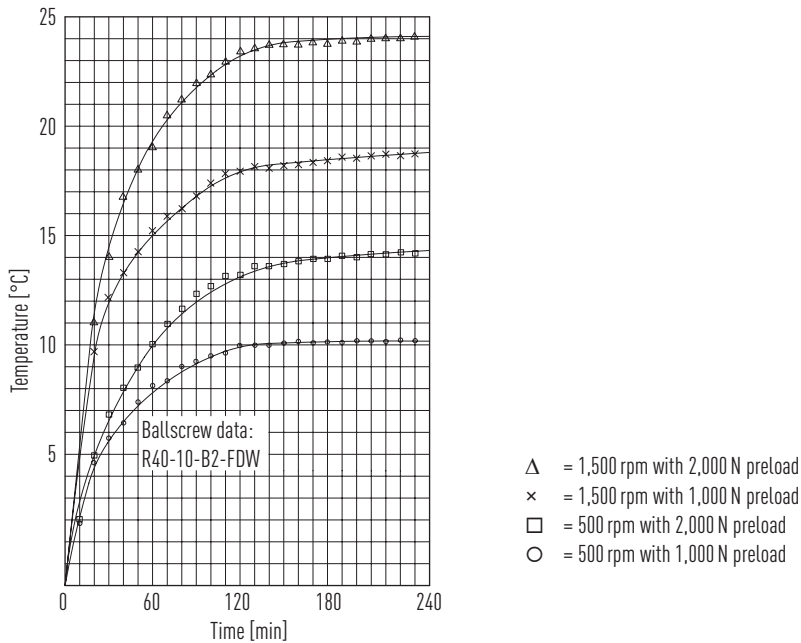


Fig. 3.26 Relationship between operating speed, preload and temperature increase

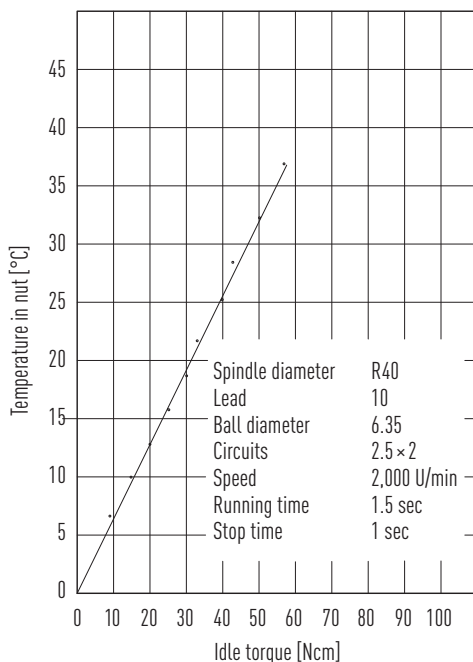


Fig. 3.27 Relationship between temperature increase in the ballscrew and idle torque

The thermal expansion of the threaded shaft can be determined using formula F 3.36. The expansion can be compensated by stretching of the shaft. For further information please consult HIWIN.

F 3.36

$$\Delta L = 11.6 \times 10^{-6} \times \Delta T \times l_{s,\text{total}}$$

ΔL Thermal expansion of threaded shaft [mm]
 ΔT Temperature increase in threaded shaft [°C]
 l_{s,total} Shaft length + shaft end (left/right) [mm]

Ballscrews

Properties and selection/Rolled ballscrews

3.8 Material and heat treatment

3.8.1 Materials of the components

Components	Material numbers according to DIN EN 10027		
	Rolled ballscrews	Peeled ballscrews	Ground ballscrews
Shaft	1.1213	1.1213 1.7225	1.7228
Nut ¹⁾	1.6523 ¹⁾		
Ball	1.3505		

¹⁾ Special nuts 16MnCr5B

3.8.2 Heat treatment

Table 3.19 shows the hardness of the main components used in HIWIN ballscrews. The surface hardness of the ballscrew affects both the dynamic and the static load rating. The dynamic and static load ratings listed in the dimensions tables are based on a surface hardness equivalent to HRC 60. For surface hardnesses of less than this, the load ratings can be determined using the following calculation.

F 3.37

$$C'_0 = C_0 \times f_{H0} \quad f_{H0} = \left(\frac{\text{real hardness (HRC)}}{60} \right)^3 \leq 1$$

With hardness levels f_H and f_{H0}

C'_0 Corrected static load rating

C_0 Static load rating at 60 HRC

F 3.38

$$C' = C_{dyn} \times f_H \quad f_H = \left(\frac{\text{real hardness (HRC)}}{60} \right)^2 \leq 1$$

C' Corrected dynamic load rating

C_{dyn} Dynamic load rating at 60 HRC

Components	Hardening method	Hardness (HRC)
Shaft	Carburizing	58 – 62
Nut	Carburizing or induction hardening	58 – 62
Ball		62 – 66

3.9 Lubrication

HIWIN ballscrews can be lubricated with grease, semi-fluid grease or oil depending on the application. They are supplied preserved as standard and must never be taken into service without initial lubrication. For information about the initial greasing, amounts of lubricant and lubrication intervals, please consult the assembly instructions "Ballscrews".

Lubrication method	Information about checking
Oil	Check oil level once a week and check oil for contamination If contaminated, we recommend changing the oil
Grease	Check grease for contamination every two to three months If contaminated, replace old grease with new grease Always replace grease on an annual basis

4. Rolled ballscrews

4.1 Properties

One of the benefits of rolled ballscrews is that feed systems equipped with them have less friction and are quieter than standard threads.

HIWIN manufactures them using state-of-the-art rolling technologies where the processes of material selection, rolling, heat treatment, machining and assembly are very closely coordinated.

Rolled ballscrews from HIWIN can be flexibly used in virtually all areas of industry. Rolled ballscrew shafts with diameters of 8 mm to 63 mm are always kept in stock and can be supplied at short notice. They can be supplied with or without end machining. Complete bearing units combined with standardised shaft ends enable us to supply complete ballscrews.

4.2 Tolerance classes

Table 4.1 shows the tolerance classes of rolled ballscrews. The lead accuracy is defined using the deviation from nominal path over any 300 mm section of the entire length. The path deviation over the entire useful path is determined by formula F 3.1 on Page 16.

Path deviation	Tolerance class		
	T5	T7	T10
V_{300p}	0.023	0.052	0.21

Unit: mm

Nominal diameter	Lead																	Max. shaft length		
	1	1.25	2	2.5	3	4	5	5.08	6	8	10	12	16	20	25	32	40	50	T5	T7, T10
8	○		○	○×	○		○												—	800
10			○	○×	○	○×	○		○		○								600	1,500
12			○	○	○	○×	○×	○		○	○×	○							600	1,500
15							○×				○			○					1,500	3,000
16	○		○	○		○	○×	○	○	○	○×	○	○×	○×		○			1,500	3,000
20				○		○	○×	○	○	○	○×			○×			○		1,500	3,000
25				○		○	○×	○	○	○	○×				○×				2,500	4,500
32					○		○×	○	○	○	○×			○×		○×	○		2,500	4,500
40							○×		○	○	○×	○	○	○×	○		○×		3,000	5,600
50							○×		○		○×	○	○	○×			○×	○	—	5,600
63											○×	○	○	○			○		—	5,600

Unit: mm

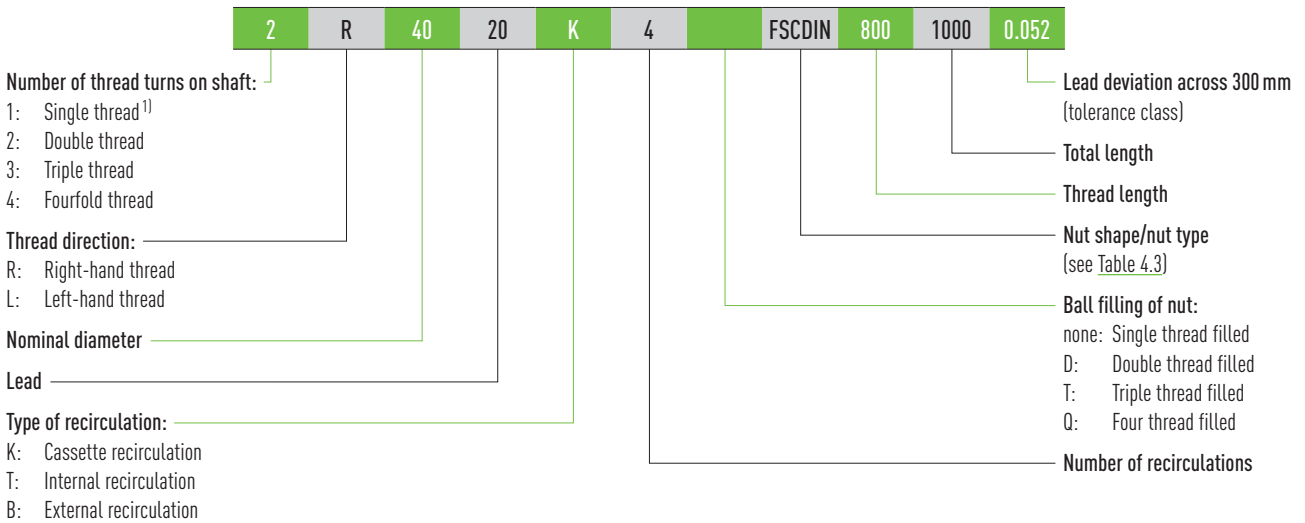
- Right-hand and left-hand thread
- Only right-hand thread
- × Preferred type for right-hand thread with fast delivery in T7
- × Preferred type for right-hand thread with fast delivery in T5 and T7

Ballscrews

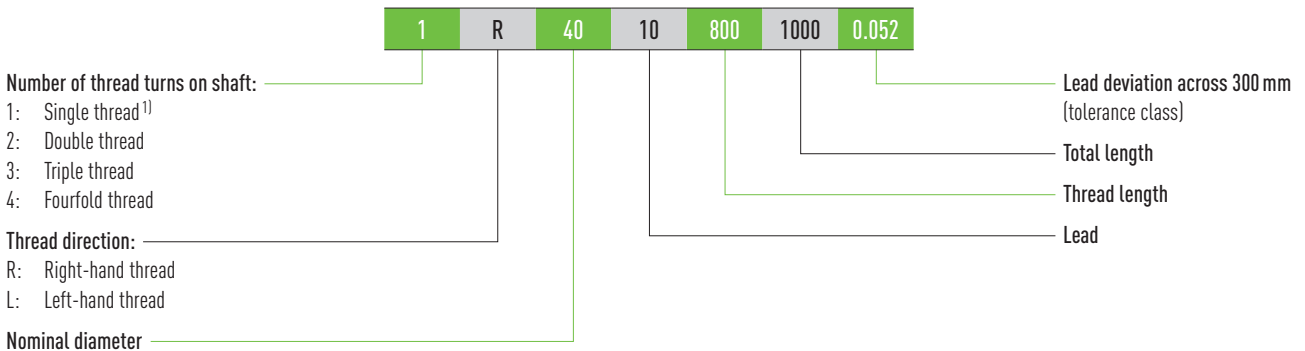
Rolled ballscrews

4.3 HIWIN order code for rolled ballscrews

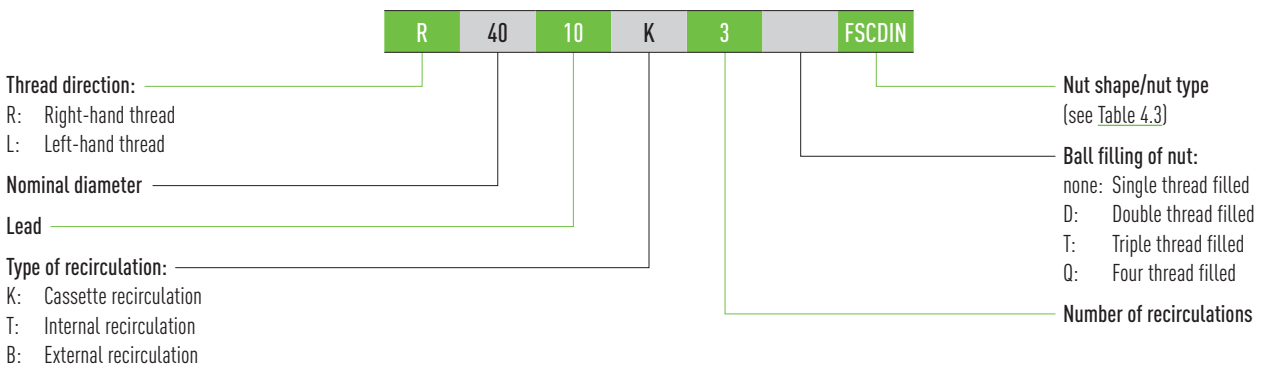
In order to clearly identify the ballscrew, information about the ballscrew shaft and nut is needed.



Order code for ballscrew shaft without the nut



Order code for ballscrew nut without the shaft



¹⁾ Standard; can be omitted with single-thread shafts

Table 4.3 Overview of nut shapes

Nut designation	Description
FSIDIN	Flange single nut with internal single recirculation
FSCDIN	Flange single nut with cassette recirculation
RSI	Cylindrical single nut with internal single return
RSIT	Cylindrical single nut with screw-in thread and internal single return

4.4 Nuts for rolled ballscrews

4.4.1 Flange single nut FSCDIN/FSIDIN

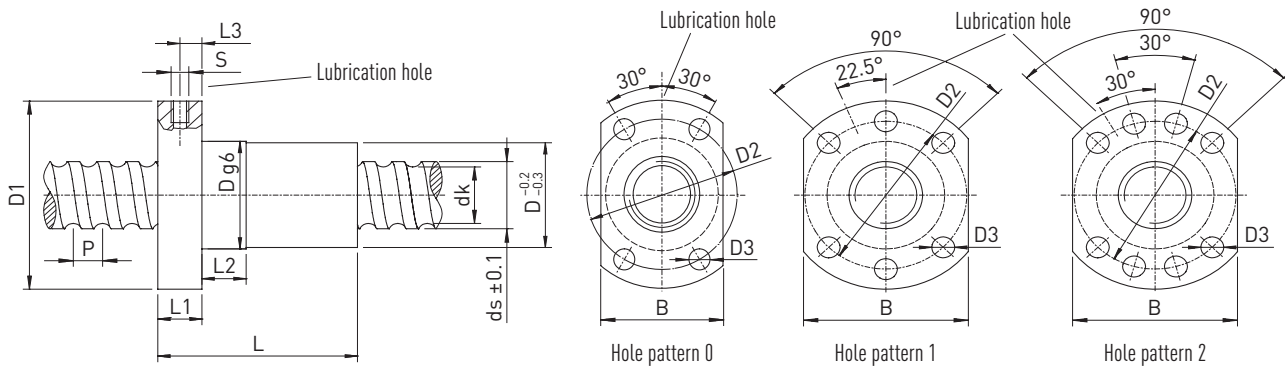


Table 4.4 Nut dimensions

Article number	ds	P	D	D1	D2	D3	Hole pattern	L	L1	L2	L3	S	B	dk	C _{dyn} [N]	C ₀ [N]	Max. axial play [mm]	Mass [kg/St.]
R12-05K4-FSCDIN	11.7	5	24	40	32	4.5	0	33	8	8	4	M3	26	9.9	5,500	12,000	0.02	0.11
R12-10K3-FSCDIN	11.8	10	24	40	32	4.5	0	43	8	8	4	M3	26	9.6	5,100	10,100	0.02	0.13
R15-05K4-FSCDIN	13.9	5	28	48	38	5.5	1	38	10	10	5	M6	40	11.8	12,600	21,000	0.04	0.18
R16-05T3-FSIDIN	15.5	5	28	48	38	5.5	1	40	10	10	5	M6	40	12.9	6,500	11,700	0.04	0.18
R16-10K3-FSCDIN	14.7	10	28	48	38	5.5	1	45	10	10	5	M6	40	12.5	9,100	19,300	0.04	0.20
R16-16K3-FSCDIN	15.0	16	28	48	38	5.5	1	61	12	20	6	M6	40	13.0	7,900	17,000	0.04	0.26
R16-20K2-FSCDIN	14.0	20	28	48	38	5.5	1	56	10	10	5	M6	40	11.8	5,200	10,400	0.04	0.25
R20-05K4-FSCDIN	19.6	5	36	58	47	6.6	1	40	10	10	5	M6	44	16.9	13,400	32,740	0.04	0.28
R20-10K3-FSCDIN	19.3	10	36	58	47	6.6	1	48	10	10	5	M6	44	16.6	10,000	23,500	0.04	0.32
R20-20K2-FSCDIN	19.7	20	36	58	47	6.6	1	57	10	10	5	M6	44	17.1	6,800	15,300	0.04	0.37
R20-20K4-DFSCDIN	19.7	20	36	58	47	6.6	1	57	10	10	5	M6	44	17.1	12,300	30,500	0.04	0.36
R25-05K4-FSCDIN	24.9	5	40	62	51	6.6	1	43	10	12	5	M6	48	22.3	14,900	41,500	0.04	0.22
R25-10K4-FSCDIN	24.5	10	40	62	51	6.6	1	61	10	16	5	M6	48	21.8	16,100	44,900	0.04	0.43
R25-25K2-FSCDIN	24.7	25	40	62	51	6.6	1	70	10	16	5	M6	48	22.1	7,400	19,100	0.04	0.48
R25-25K4-DFSCDIN	24.7	25	40	62	51	6.6	1	70	10	16	5	M6	48	22.1	13,500	38,200	0.04	0.46
R32-05K6-FSCDIN	31.7	5	50	80	65	9	1	48	12	10	6	M6	62	29.1	23,900	81,900	0.04	0.59
R32-10K5-FSCDIN	31.8	10	50	80	65	9	1	77	12	16	6	M6	62	28.6	31,500	80,100	0.04	0.82
R32-20K3-FSCDIN	31.8	20	50	80	65	9	1	88	12	16	6	M6	62	28.6	17,000	48,500	0.04	0.91
R32-32K2-FSCDIN	31.9	32	50	80	65	9	1	88	12	20	6	M6	62	28.7	11,600	31,800	0.04	0.90
R32-32K4-DFSCDIN	31.9	32	50	80	65	9	1	88	12	20	6	M6	62	28.7	20,600	62,200	0.04	0.87
R40-05K6-FSCDIN	39.4	5	63	93	78	9	2	50	14	10	7	M8 × 1	70	36.8	25,900	100,600	0.04	0.93

Ballscrews

Rolled ballscrews

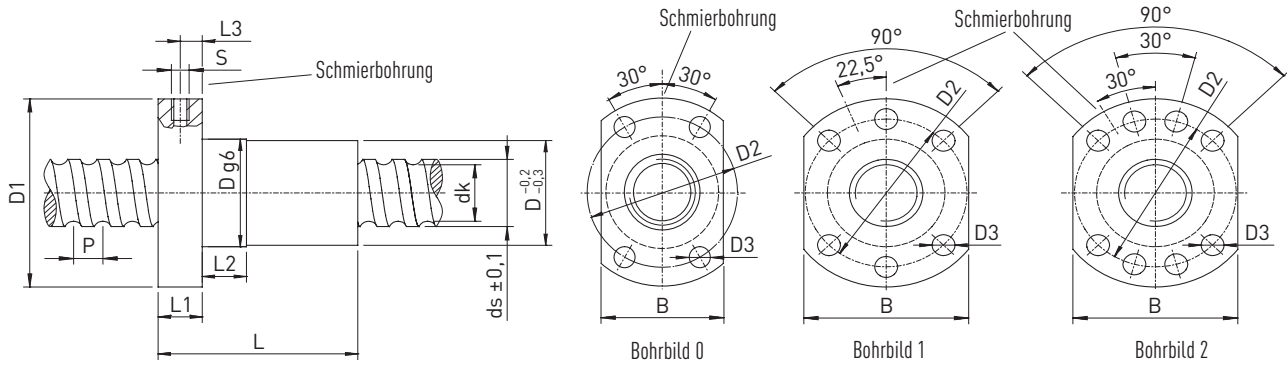


Table 4.4 Nut dimensions – continuation

Article number	ds	P	D	D1	D2	D3	Hole pattern	L	L1	L2	L3	S	B	dk	C _{dyn} [N]	C ₀ [N]	Max. axial play [mm]	Mass [kg/St.]
R40-10K4-FSCDIN	37.8	10	63	93	78	9	2	70	14	16	7	M8 × 1	70	32.8	45,000	123,000	0.04	1.19
R40-20K3-FSCDIN	37.8	20	63	93	78	9	2	88	14	16	7	M8 × 1	70	32.8	34,850	90,000	0.07	1.43
R40-40K2-FSCDIN	37.9	40	63	93	78	9	2	102	14	16	7	M8 × 1	70	32.9	23,000	58,400	0.07	1.61
R40-40K4-DFSCDIN	37.9	40	63	93	78	9	2	102	14	16	7	M8 × 1	70	32.9	41,500	115,800	0.07	1.59
R50-05K6-FSCDIN	49.4	5	75	110	93	11	2	50	16	10	8	M8 × 1	85	46.8	28,300	127,200	0.07	1.32
R50-10K6-FSCDIN	48.0	10	75	110	93	11	2	90	16	20	8	M8 × 1	85	42.9	74,500	250,000	0.07	2.05
R50-20K5-FSCDIN	47.9	20	75	110	93	11	2	132	18	25	9	M8 × 1	85	42.9	67,200	217,500	0.07	2.89
R50-40K3-FSCDIN	50.0	40	75	110	93	11	2	149	18	45	9	M8 × 1	85	45.0	39,000	123,000	0.07	2.96
R50-40K6-DFSCDIN	50.0	40	75	110	93	11	2	149	18	45	9	M8 × 1	85	45.0	70,300	242,600	0.07	2.93
R63-10T6-FSIDIN	63.1	10	90	125	108	11	2	120	18	16	9	M8 × 1	95	58.0	61,920	214,090	0.07	3.30

All dimensions stated without a unit are in mm

- Nuts with NBR wiper
- For nut housing, see Section 8.4
- No axial play on request (T5)
- FSCDIN/FSIDIN: Nut filled on one turn
- DFSCDIN: Nut filled on two turns
- R12 to R40 also available in T5

Order example:

R	25	10	K3	FSCDIN	650	730	0.052
---	----	----	----	--------	-----	-----	-------

4.4.2 Cylindrical single nut with screw-in thread RSIT

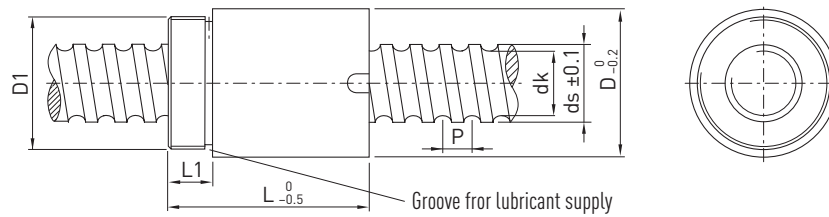


Table 4.5 Nut dimensions

Article number	ds	P	D	D1	L	L1	dk	Dynamic load rating C_{dyn} [N]	Static load rating C_0 [N]	Max. axial play [mm]	Mass [kg/St.]
R08-02.5T2-RSIT ¹⁾	7.7	2.5	17.5	M15 × 1	27.5	7.5	6.1	1,300	1,750	0.04	0.03
R10-02.5T2-RSIT ²⁾	9.9	2.5	19.5	M17 × 1	25.0	7.5	8.1	1,780	2,630	0.04	0.04
R10-04T2-RSIT ²⁾	9.9	4.0	24.0	M22 × 1	32.0	10.0	7.7	1,980	2,820	0.04	0.08
R12-04B1-RSIT ¹⁾	12.0	4.0	25.5	M20 × 1	34.0	10.0	9.5	3,000	5,700	0.04	0.08

All dimensions stated without a unit are in mm

¹⁾ Polyamide wiper on one side

²⁾ Without dirt wiper

- Reduced axial play on request
- Nuts with dirt wipers

Order example:

R	12	4	B1	RSIT	350	405	0.052
---	----	---	----	------	-----	-----	-------

4.4.3 Cylindrical single nut RSI

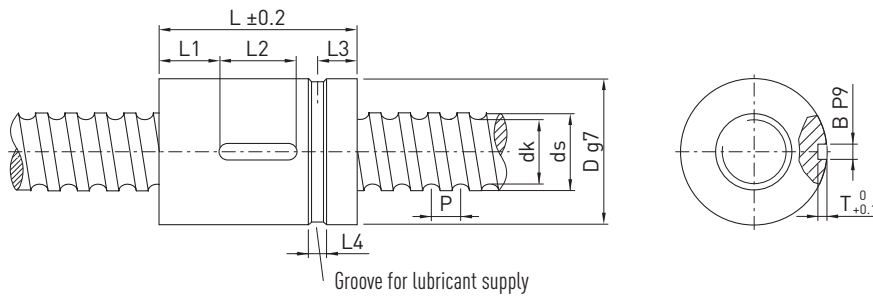


Table 4.6 Nut dimensions

Article number	ds	P	D	L	L1	L2	L3	L4	T	B	dk	Dynamic load rating C_{dyn} [N]	Static load rating C_0 [N]	Max. axial play [mm]	Mass [kg/St.]
R16-10T3-RSI	15.4	10	28	60	8	20	9.5	5	2.5	4	12.9	6,100	10,800	0.04	0.17
R20-10T3-RSI	19.9	10	34	60	20	20	12.0	4	2.0	5	17.5	8,100	12,600	0.04	0.35

All dimensions stated without a unit are in mm

- Reduced axial play on request
- Nuts with dirt wipers

Order example:

R	16	10	T3	RSI	350	405	0.052
---	----	----	----	-----	-----	-----	-------

Ballscrews

Peeled ballscrews

5. Peeled ballscrews

5.1 Properties

In terms of quality, peeled ballscrews from HIWIN fall between rolled and ground ballscrews and can therefore be used for numerous transport or positioning applications. On request, we are happy to produce a lead measurement report for them. A number of nut shapes are available for peeled ballscrews, as both single and double nuts. Customised complete ballscrews can be produced with short lead times. Complete bearing units combined with standardised shaft ends minimise the amount of design work involved.

5.2 Tolerance classes

Table 5.1 shows the tolerance classes of peeled ballscrews. The lead accuracy is defined using the deviation from nominal path over any 300 mm section of the entire length.

Path deviation	Tolerance class	
	T5	T7
V_{300p}	0.023	0.052

Unit: mm

Nominal diameter	Lead			Max. shaft length ¹⁾	Max. thread length
	5	10	20		
16	○×			3,700	3,300
20	○×			6,300	5,500
25	○×	○×		6,300	5,500
32	○×	○×	○×	6,500	5,500
40	○×	○×	○×	6,500	5,500
50	○×	○×	○×	6,500	5,500
63		○×	○×	6,500	5,500
80		○×	○×	6,500	5,500

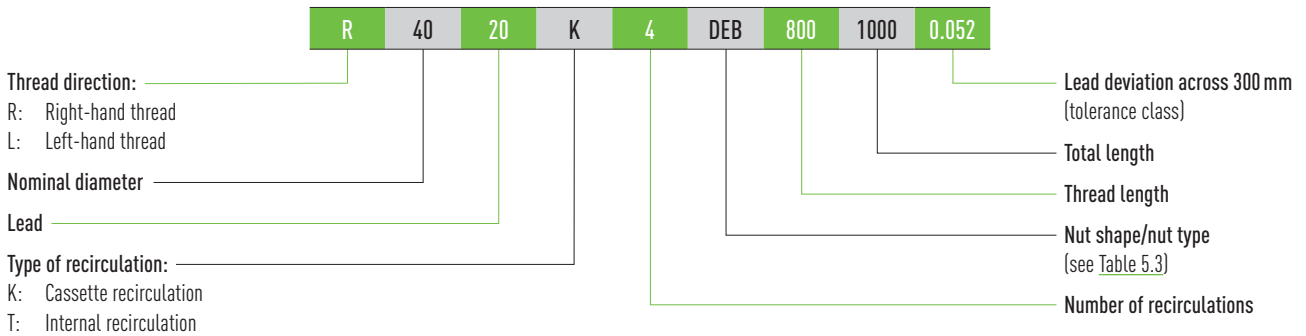
Unit: mm

- Right-hand and left-hand thread
- × Preferred type for right-hand thread with fast delivery

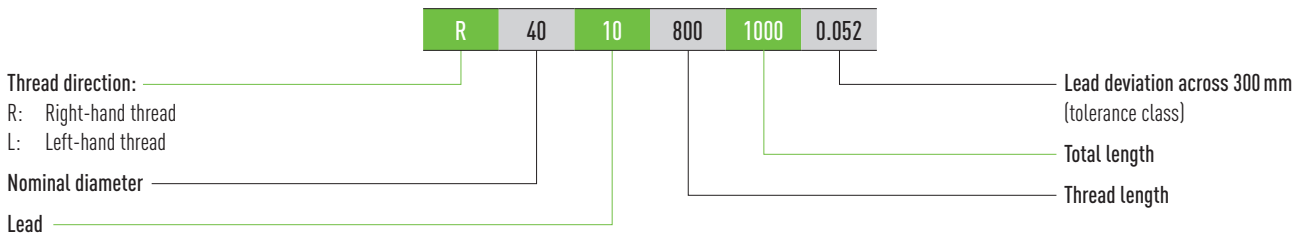
¹⁾ The critical speed and max. buckling force should be taken into account for long shafts.

5.3 HIWIN order code for peeled ballscrews

In order to clearly identify the ballscrew, information about the ballscrew shaft and nut is needed..



Order code for ballscrew shaft without the nut



Order code for ballscrew nut without the shaft

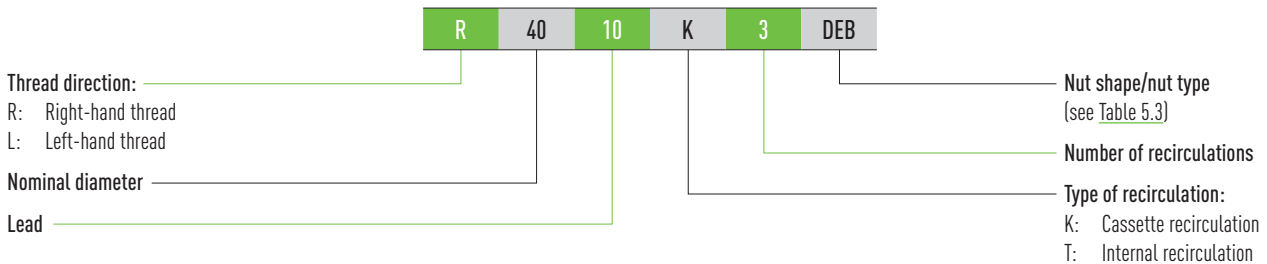


Table 5.3 Overview of nut shapes

Nut designation	Description
DEB	Flange single nut
DDB	Flange double nut
ZE	Cylindrical single nut
ZD	Cylindrical double nut
SE	Cylindrical single nut with screw-in thread
SEM	Flange single nut with integrated locking nut ¹⁾

¹⁾ Simply using a safety nut does not provide sufficient protection against a load being lowered unintentionally. The safety guidelines valid for the application must be observed. The safety nut it is not a safety component according to the Machinery Directive.

Ballscrews

Peeled ballscrews

5.4 Nuts for peeled ballscrews

5.4.1 Flange single nut DEB

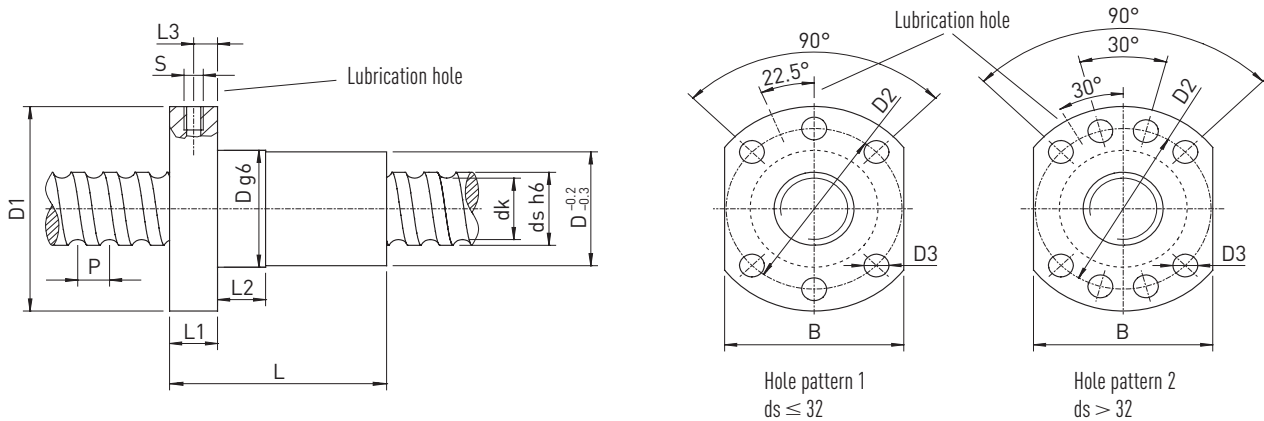


Table 5.4 Nut dimensions

Article number	ds	P	D	D1	D2	D3	L	L1	L2	L3	S	B	dk	Dynamic load rating C_{dyn} [N]	Static load rating C_0 [N]	Max. axial play [mm]	Mass [kg/St.]
R16-05T3-DEB	16	5	28	48	38	5.5	40	10	10	5.0	M6	40	13.5	9,600	12,700	0.02	0.15
R20-05T4-DEB	20	5	36	58	47	6.6	52	10	10	5.0	M6	44	17.5	13,900	21,800	0.02	0.29
R25-05T4-DEB	25	5	40	62	51	6.6	52	10	10	5.0	M6	48	22.5	15,600	27,900	0.02	0.31
R25-10T3-DEB	25	10	40	62	51	6.6	65	10	16	5.0	M6	48	21.0	24,100	36,200	0.02	0.36
R32-05T5-DEB	32	5	50	80	65	9.0	60	12	10	6.0	M6	62	29.5	20,700	43,900	0.02	0.62
R32-10T4-DEB	32	10	50	80	65	9.0	85	14	16	7.0	M6	62	27.8	40,900	63,200	0.02	0.69
R32-20T2-DEB	32	20	50	80	65	9.0	80	14	16	7.0	M6	62	27.8	20,300	26,800	0.02	0.66
R40-05T5-DEB	40	5	63	93	78	9.0	69	14	10	7.0	M8 × 1	70	37.5	22,500	54,600	0.02	1.04
R40-10T4-DEB	40	10	63	93	78	9.0	88	14	16	7.0	M8 × 1	70	35.8	46,800	82,600	0.02	1.13
R40-20T2-DEB	40	20	63	93	78	9.0	88	14	16	7.0	M8 × 1	70	35.8	23,800	36,400	0.03	1.14
R50-05T5-DEB	50	5	75	110	93	11.0	69	16	10	8.0	M8 × 1	85	47.5	24,900	69,800	0.02	1.44
R50-10T4-DEB	50	10	75	110	93	11.0	98	16	16	8.0	M8 × 1	85	45.8	52,800	106,800	0.02	1.62
R50-20T3-DEB	50	20	75	110	93	11.0	114	16	16	8.0	M8 × 1	85	45.8	40,000	76,200	0.03	1.92
R63-10T6-DEB	63	10	90	125	108	11.0	120	18	16	9.0	M8 × 1	95	58.8	84,700	210,800	0.04	2.73
R63-20T4-DEB	63	20	95	135	115	13.5	150	20	25	10.0	M8 × 1	100	55.4	105,000	250,000	0.04	4.00
R63-20T5-DEB	63	20	95	135	115	13.5	175	20	25	10.0	M8 × 1	100	55.4	125,000	300,000	0.04	4.50
R63-20K6-DEBH	63	20	125	165	145	13.5	170	25	25	12.0	M8 × 1	130	50.2	245,700	768,200	0.04	12.50
R80-10T6-DEB	80	10	105	145	125	13.5	120	20	16	10.0	M8 × 1	110	75.8	93,400	269,200	0.04	3.00
R80-20T4-DEB	80	20	125	165	145	13.5	160	25	25	12.0	M8 × 1	130	72.4	135,000	322,000	0.05	8.20
R80-20T5-DEB	80	20	125	165	145	13.5	175	25	25	12.0	M8 × 1	130	72.4	161,500	398,000	0.05	9.10
R80-20K6-DEBH	78	20	135	175	155	13.5	170	25	25	12.5	M8 × 1	140	68.2	280,000	783,300	0.05	11.50
R80-20K7-DEBH	78	20	135	175	155	13.5	190	25	25	12.5	M8 × 1	140	68.2	320,000	1,143,000	0.05	13.00

All dimensions stated without a unit are in mm

- Reduced axial play on request
- Nuts with dirt wipers
- Left-handed nuts on request
- For nut housing, see Section 8.4

Order example:

R	63	10	T6	DEB	3850	3972	0.052
---	----	----	----	-----	------	------	-------

5.4.2 Flange double nut DDB

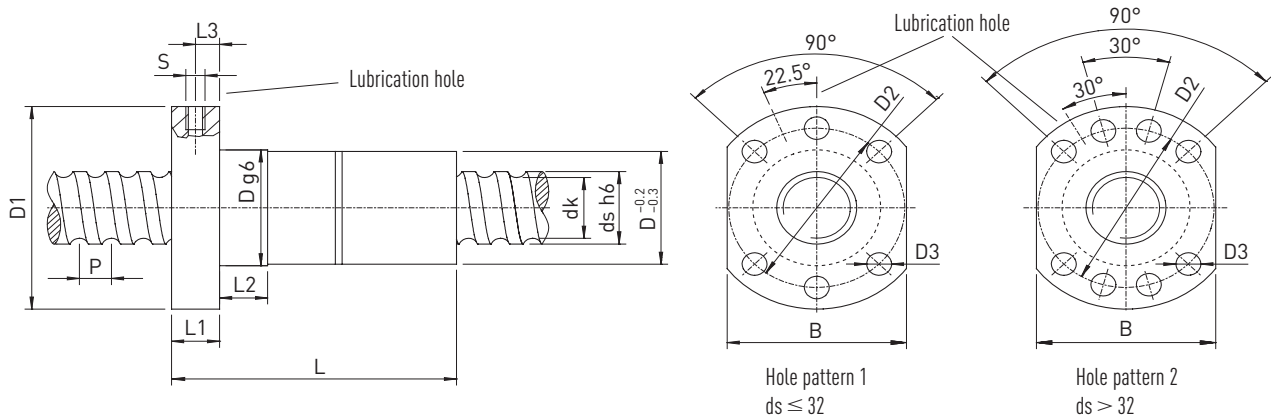


Table 5.5 Nut dimensions

Article number	ds	P	D	D1	D2	D3	L	L1	L2	L3	S	B	dk	Dynamic load rating C_{dyn} [N]	Static load rating C_0 [N]	Mass [kg/St.]
R16-05T3-DDB	16	5	28	48	38	5.5	80	10	10	5	M6	40	13.5	9,600	12,700	0.25
R20-05T4-DDB	20	5	36	58	47	6.6	82	10	10	5	M6	44	17.5	13,900	21,800	0.42
R25-05T4-DDB	25	5	40	62	51	6.6	95	10	10	5	M6	48	22.5	15,600	27,900	0.52
R25-10T3-DDB	25	10	40	62	51	6.6	115	10	16	5	M6	48	21.0	24,100	36,200	0.57
R32-05T5-DDB	32	5	50	80	65	9.0	95	12	10	6	M6	62	29.5	20,700	43,900	0.88
R32-10T4-DDB	32	10	50	80	65	9.0	138	14	16	7	M6	62	27.8	40,900	63,200	1.01
R32-20T2-DDB	32	20	50	80	65	9.0	138	14	16	7	M6	62	27.8	20,300	26,800	1.02
R40-05T5-DDB	40	5	63	93	78	9.0	109	14	10	7	M8 × 1	70	37.5	22,500	54,600	1.54
R40-10T4-DDB	40	10	63	93	78	9.0	150	14	16	7	M8 × 1	70	35.8	46,800	82,600	1.80
R40-20T2-DDB	40	20	63	93	78	9.0	150	14	16	7	M8 × 1	70	35.8	23,800	36,400	1.82
R50-05T5-DDB	50	5	75	110	93	11.0	112	16	10	8	M8 × 1	85	47.5	24,900	69,800	2.15
R50-10T4-DDB	50	10	75	110	93	11.0	164	16	16	8	M8 × 1	85	45.8	52,800	106,800	2.52
R50-20T3-DDB	50	20	75	110	93	11.0	196	16	16	8	M8 × 1	85	45.8	40,000	76,200	3.14
R63-10T6-DDB	63	10	90	125	108	11.0	205	18	16	9	M8 × 1	95	58.8	84,700	210,800	4.19
R63-20T4-DDB	63	20	95	135	115	13.5	270	20	25	10	M8 × 1	100	55.4	105,000	250,000	6.70
R80-10T6-DDB	80	10	105	145	125	13.5	205	20	16	10	M8 × 1	110	75.8	93,400	269,200	4.74
R80-20T4-DDB	80	20	125	165	145	13.5	280	25	25	12	M8 × 1	130	72.4	135,000	322,000	13.80

All dimensions stated without a unit are in mm

- Preloaded
- Nuts with dirt wipers
- Left-handed nuts on request
- For nut housing, see Section 8.4

Order example:

R	63	10	T6	DDB	3850	3972	0.052
---	----	----	----	-----	------	------	-------

Ballscrews

Peeled ballscrews

5.4.3 Cylindrical single nut ZE

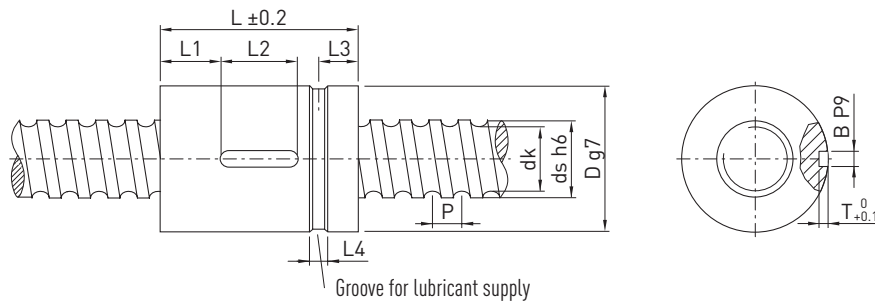


Table 5.6 Nut dimensions

Article number	ds	P	D	L	L1	L2	L3	L4	T	B	dk	Dynamic load rating C_{dyn} [N]	Static load rating C_0 [N]	Max. axial play [mm]	Mass [kg/St.]
R16-05T3-ZE	16	5	28	40	12	16	9	4	2.4	4	13.5	9,600	12,700	0.02	0.10
R20-05T4-ZE	20	5	36	51	15	20	10	4	2.4	4	17.5	13,900	21,800	0.02	0.23
R25-05T4-ZE	25	5	40	60	20	20	12	5	2.4	4	22.5	15,600	27,900	0.02	0.29
R25-10T3-ZE	25	10	48	65	22	20	15	5	2.4	4	21.0	24,100	36,200	0.02	0.50
R32-05T5-ZE	32	5	48	60	20	20	12	5	2.4	4	29.5	20,700	43,900	0.02	0.38
R32-10T4-ZE	32	10	56	80	27	25	15	5	2.4	4	27.8	40,900	63,200	0.02	0.74
R32-20T2-ZE	32	20	56	80	27	25	15	5	2.4	4	27.8	20,300	26,800	0.02	0.70
R40-05T5-ZE	40	5	56	68	24	20	15	6	2.4	4	37.5	22,500	54,600	0.02	0.44
R40-10T4-ZE	40	10	62	88	31	25	15	6	2.4	4	35.8	46,800	82,600	0.02	0.85
R40-20T2-ZE	40	20	62	88	31	25	15	6	2.4	4	35.8	23,800	36,400	0.03	0.88
R50-05T5-ZE	50	5	68	69	24	20	15	6	2.4	4	47.5	24,900	69,800	0.02	0.72
R50-10T4-ZE	50	10	72	100	37	25	17	6	2.4	4	45.8	52,800	106,800	0.02	1.04
R50-20T3-ZE	50	20	72	114	44	25	17	6	2.4	4	45.8	40,000	76,200	0.03	1.10
R63-10T6-ZE	63	10	85	120	44	32	17	6	3.5	6	58.8	84,700	210,800	0.04	1.73
R63-20T4-ZE	63	20	95	135	52	32	17	6	3.5	6	55.4	105,000	300,000	0.04	3.80
R80-10T6-ZE	80	10	105	120	44	32	17	8	3.5	6	75.8	93,400	269,200	0.04	2.80
R80-20T4-ZE	80	20	125	150	52	45	17	8	3.5	6	72.4	135,000	322,000	0.05	7.80
R80-20T6-ZEH	78	20	130	182	68.5	45	19	8	4.0	8	68.2	200,000	510,000	0.05	11.05

All dimensions stated without a unit are in mm

- Reduced axial play on request
- Nuts with dirt wipers
- Left-handed nuts on request

Order example:

R	16	05	T3	ZE	420	495	0.052
---	----	----	----	----	-----	-----	-------

5.4.4 Cylindrical double nut ZD

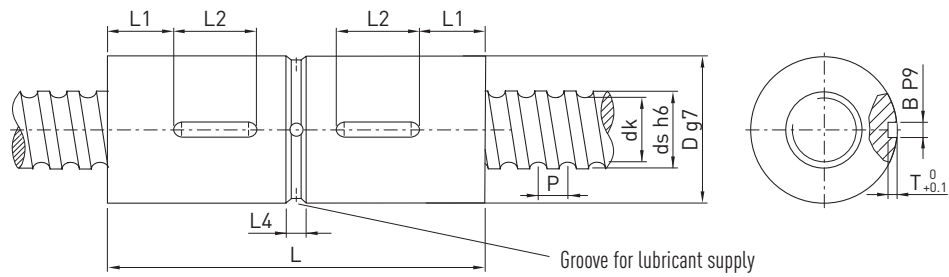


Table 5.7 Nut dimensions

Article number	ds	P	D	L	L1	L2	L4	T	B	dk	Dynamic load rating C_{dyn} [N]	Static load rating C_0 [N]	Mass [kg/St.]
R16-05T3-ZD	16	5	28	72	14	16	4	2.4	4	13.5	9,600	12,700	0.20
R20-05T4-ZD	20	5	36	86	15	20	4	2.4	4	17.5	13,900	21,800	0.39
R25-05T4-ZD	25	5	40	100	20	20	5	2.4	4	22.5	15,600	27,900	0.48
R25-10T3-ZD	25	10	48	115	20	20	5	2.4	4	21.0	24,100	36,200	0.80
R32-05T5-ZD	32	5	48	100	20	20	5	2.4	4	29.5	20,700	43,900	0.63
R32-10T3-ZD	32	10	56	136	25	25	6	2.4	4	27.8	32,000	47,500	1.30
R32-20T2-ZD	32	20	56	142	28	25	6	2.4	4	27.8	20,300	26,800	1.30
R40-05T5-ZD	40	5	56	108	20	20	6	2.4	4	37.5	22,500	54,600	0.78
R40-10T4-ZD	40	10	62	142	28	25	6	2.4	4	35.8	46,500	82,600	1.34
R40-20T2-ZD	40	20	62	146	30	25	6	2.4	4	35.8	23,800	36,400	1.51
R50-05T5-ZD	50	5	68	108	20	20	6	2.4	4	47.5	24,900	69,800	1.40
R50-10T4-ZD	50	10	72	168	35	25	8	2.4	4	45.8	52,800	106,800	1.72
R50-20T3-ZD	50	20	72	190	47	25	6	2.4	4	45.8	40,000	76,200	1.95
R63-10T6-ZD	63	10	85	208	44	32	6	3.5	6	58.8	84,700	210,800	2.81
R63-20T4-ZD	63	20	95	260	65	32	6	3.5	6	55.4	105,000	250,000	7.30
R80-10T6-ZD	80	10	105	208	44	32	6	3.5	6	75.8	93,400	269,200	5.50
R80-20T4-ZD	80	20	125	285	55	32	8	4.1	8	72.4	135,000	322,000	14.90

All dimensions stated without a unit are in mm

- Preloaded
- Nuts with dirt wipers
- Left-handed nuts on request

Order example:

R	16	05	T3	ZD	420	495	0.052
---	----	----	----	----	-----	-----	-------

Ballscrews

Peeled ballscrews

5.4.5 Cylindrical single nut with screw-in thread SE

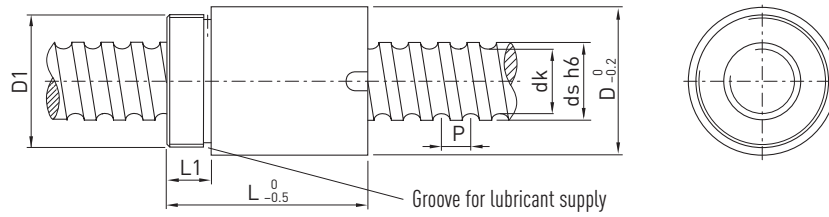


Table 5.8 Nut dimensions

Article number	ds	P	D	D1	L	L1	dk	Dynamic load rating C_{dyn} [N]	Static load rating C_0 [N]	Max. axial play [mm]	Mass [kg/St.]
R16-05T3-SE	16	5	36	M30 × 1.5	42	12	13.5	9,600	12,700	0.02	0.45
R20-05T4-SE	20	5	40	M35 × 1.5	52	12	17.5	13,900	21,800	0.02	0.53
R25-05T4-SE	25	5	45	M40 × 1.5	60	15	22.5	15,600	27,900	0.02	0.82
R25-10T3-SE	25	10	48	M45 × 1.5	70	15	21.0	24,100	36,200	0.02	1.00
R32-05T5-SE	32	5	52	M48 × 1.5	60	15	29.5	20,700	43,900	0.02	1.13
R32-10T3-SE	32	10	56	M52 × 1.5	80	15	27.8	34,100	56,100	0.02	1.62
R32-20T2-SE	32	20	56	M52 × 1.5	80	15	27.8	20,300	26,800	0.02	1.44
R40-05T5-SE	40	5	65	M60 × 1.5	68	18	37.5	22,500	54,600	0.02	1.63
R40-10T4-SE	40	10	65	M60 × 1.5	88	18	35.8	46,800	82,600	0.02	1.75
R40-20T2-SE	40	20	65	M60 × 1.5	88	18	35.8	23,800	36,400	0.03	1.75
R50-10T4-SE	50	10	80	M75 × 1.5	100	20	45.8	52,800	106,800	0.02	2.96
R50-20T3-SE	50	20	80	M75 × 1.5	114	20	45.8	40,000	76,200	0.03	3.15
R63-10T6-SE	63	10	95	M85 × 2.0	120	20	58.8	84,700	210,800	0.04	4.37
R63-20T3-SE	63	20	95	M85 × 2.0	138	20	55.4	96,000	189,000	0.04	4.40

All dimensions stated without a unit are in mm

- Reduced axial play on request
- Nuts with dirt wipers
- Left-handed nuts on request

Order example:

R	20	05	T4	SE	600	680	0.052
---	----	----	----	----	-----	-----	-------

5.4.6 Safety nut SEM

The safety nut comprises a ball thread unit and safety unit. The safety nut basically works like a normal ballscrew nut. If the axial play is increased due to wear, ball failure or ball loss, the thread of the safety unit comes into contact with the ball thread. The nut cannot therefore break out. The normal function of the unit is guaranteed up to an axial play of 0.4 mm.

Areas of application:

- Lifting equipment
- Clamping fixtures
- Lifting platforms
- Elevators

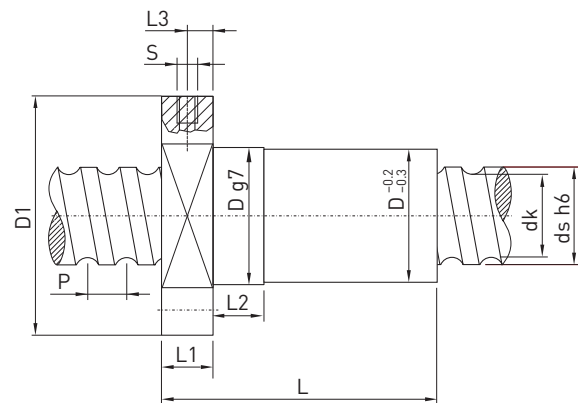
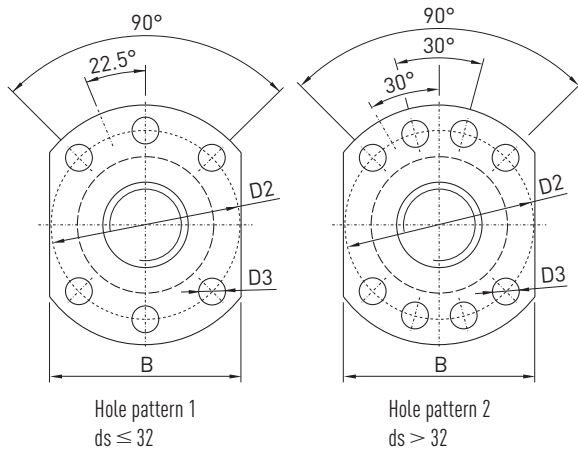
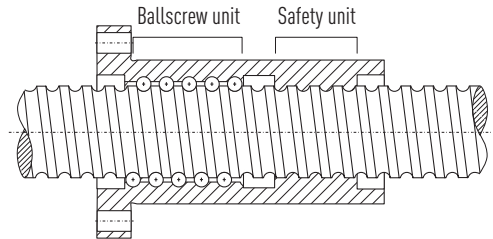


Table 5.9 Safety nut dimensions

Article number	ds	P	D	D1	D2	D3	Hole pattern	L	L1	L2	L3	S	B	dk	Dynamic load rating C_{dyn} [N]	Static load rating C_0 [N]
R32-10T4-SEM	32	10	56	86	70	9.0	1	130	15	16	7.5	M6	66	27.8	40,900	63,200
R40-10T4-SEM	40	10	63	93	78	9.0	2	130	15	16	7.5	M8 × 1	70	35.8	46,800	82,500
R40-20T2-SEM	40	20	63	93	78	9.0	2	140	15	16	7.5	M8 × 1	70	35.8	23,800	36,400
R50-10T5-SEM	50	10	75	110	93	11.0	2	145	16	16	8.0	M8 × 1	85	45.8	63,900	133,300
R63-20T4-SEM	63	20	95	135	115	13.5	2	205	20	25	10.0	M8 × 1	100	55.4	105,000	250,000
R80-20T5-SEM	80	20	125	165	145	13.5	2	230	25	25	12.5	M8 × 1	130	72.4	161,500	398,000

All dimensions stated without a unit are in mm

Note:

Simply using a safety nut does not provide sufficient protection against a load being lowered unintentionally. The safety guidelines valid for the application must be observed. The safety nut is not a safety component according to the Machinery Directive.

Ballscrews

Ground ballscrews

6. Ground ballscrews

6.1 Properties

Of the various production methods used for ballscrews, ground ballscrews offer the greatest accuracy. Ballscrews with a lead accuracy of up to 3.5 µm/300 mm thread length can be produced by grinding after hardening. They are used mainly in machine tools, grinding machines and measuring machines.

Ground ballscrews are always customized, enabling the customer's requirements relating to nut shape, load ratings, preload method, wiper type and end machining to be met. Contact our team for more details.

Below you will find typical standardized nut shapes, nominal diameters and leads. This is just part of our range. We can provide other nut dimensions on request.

6.2 Tolerance classes

Table 6.1 Tolerance classes of ground ballscrews

Path deviation	Tolerance class					
	T0	T1	T2	T3	T4	T5
e _{2p}	3.0	4	6	8	8	8
e ₃₀₀	3.5	6	8	12	18	23

Unit: mm

Table 6.2 Overview of available ground ballscrews available

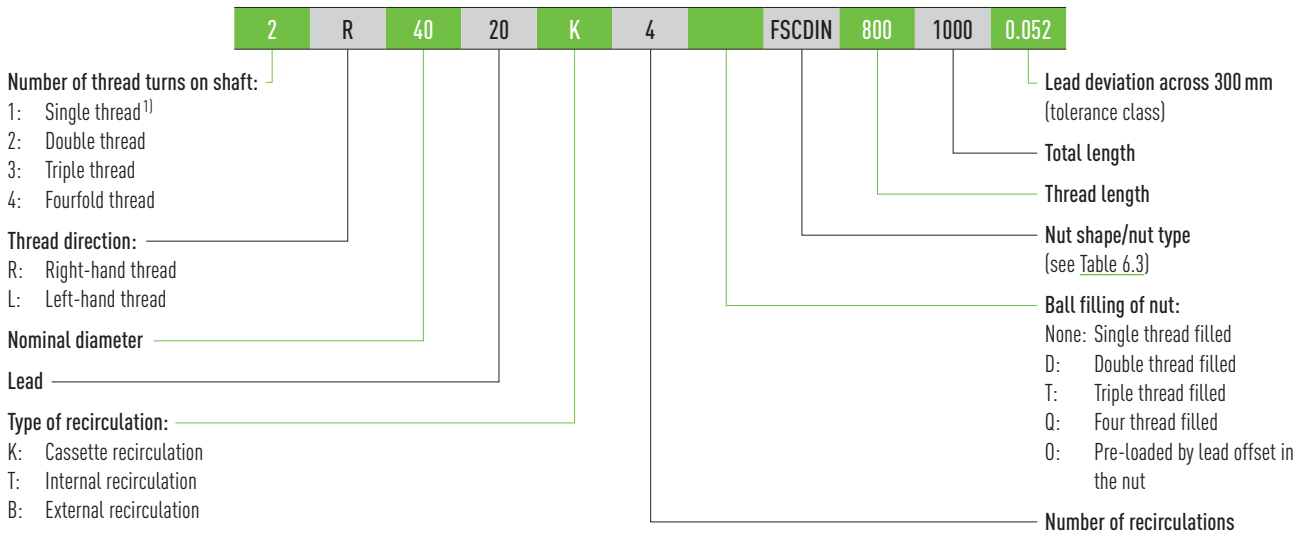
Outer diameter	6	8	10	12	16	20	25	32	40	50	63	80	100
Accuracy	Maximum lengths of ballscrew shafts												
T0	110	170	300	400	600	700	1,000	1,200	1,500	1,800	2,000	2,000	2,000
T1	110	170	400	500	720	950	1,300	1,800	2,300	3,100	4,000	4,000	4,000
T2	140	200	500	630	900	1,300	1,700	2,200	2,900	4,000	5,200	6,300	6,300
T3	170	250	500	630	1,000	1,400	1,800	2,500	3,500	4,500	6,000	10,000	10,000
T4	170	250	500	630	1,000	1,400	1,800	2,500	3,500	4,500	6,000	10,000	10,000
T5	170	250	500	630	1,410	1,700	2,400	3,000	3,800	5,000	6,900	10,000	10,000

Unit: mm

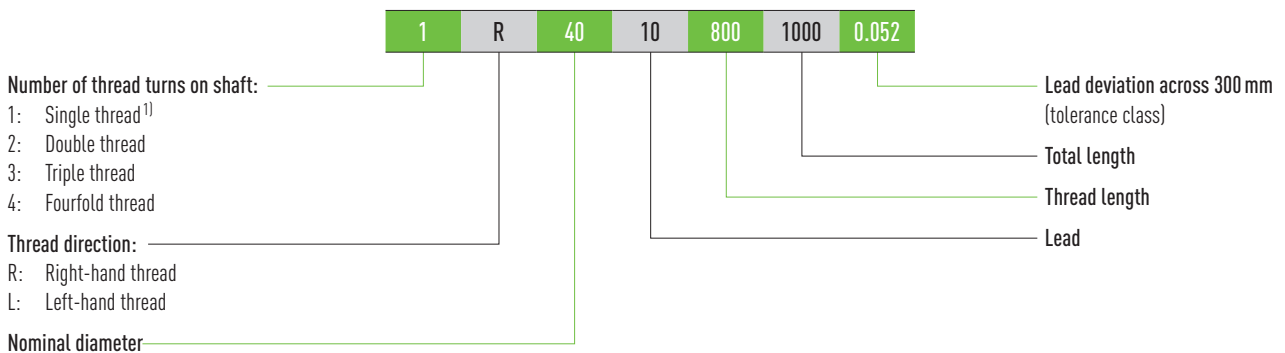
Green fields: Please contact HIWIN

6.3 HIWIN order code for ground ballscrews

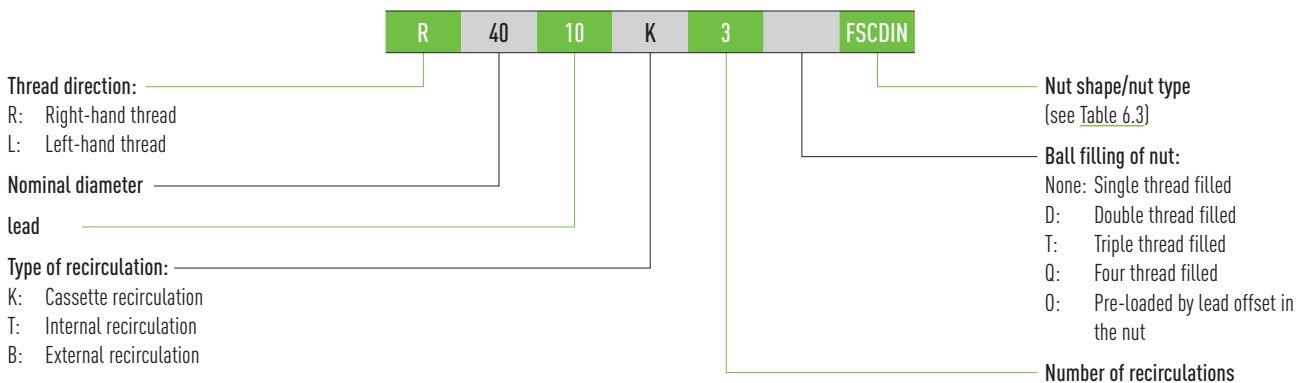
In order to clearly identify the ballscrew, information about the ballscrew shaft and nut is needed.



Order code for ballscrew shaft without the nut



Order code for ballscrew nut without the shaft



¹⁾ Standard; can be omitted with single-thread shafts

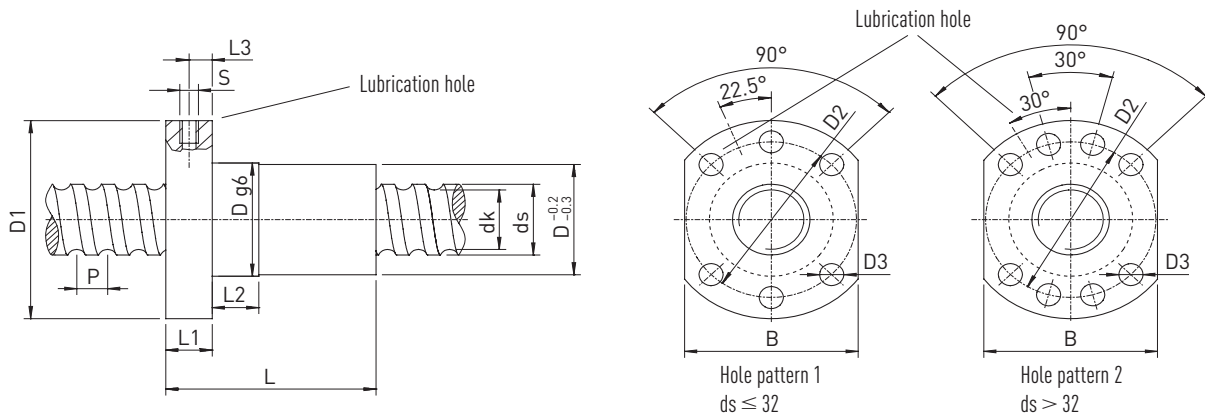
Ballscrews

Ground ballscrews

Nut designation	Description
FSC	Flange single nut with cassette recirculation
FDC	Flange double nut with cassette recirculation
FSI	Flange single nut with internal single recirculation
FDI	Flange double nut with internal single recirculation
RSI	Cylindrical single nut with internal single recirculation
RDI	Cylindrical double nut with internal single recirculation

6.4 Nuts for ground ballscrews

6.4.1 DIN single nut FSC (DIN 69051 Part 5) with total recirculation



Article number	ds	P	Ball diameter	D min.	D1	D2	D3	Hole pattern	L	L1	L2	L3	S	B	dk	Rigidity [N/μm]	Dynamic load rating C _{dyn} [N]	Static load rating C ₀ [N]
R14-10K3-FSC	14	10	3.175	28	48	38	5.5	1	46	10	10	5	M5	40	10.72	240	9,200	17,900
R15-10K3-FSC	15	10	3.175	34 ¹⁾	57	45	5.5	1	44	10	10	5	M5	43	12.32	250	9,600	19,300
R15-20K2-FSC	15	20	3.175	34 ¹⁾	57	45	5.5	1	50	10	10	5	M5	43	12.32	150	6,300	12,560
R16-16K2-FSC	16	16	3.175	34 ¹⁾	57	45	5.5	1	47	10	10	5	M5	43	13.12	170	6,800	13,850
R20-05K4-FSC	20	5	3.175	36	58	47	6.6	1	40	10	10	5	M6	44	17.32	420	14,900	36,400
R20-10K3-FSC	20	10	3.175	36	58	47	6.6	1	47	10	10	5	M6	44	17.32	320	11,300	26,600
R20-20K2-FSC	20	20	3.175	36	58	47	6.6	1	57	10	10	5	M6	44	17.32	210	7,600	17,300
R25-05K4-FSC	25	5	3.175	40	62	51	6.6	1	43	10	10	5	M6	48	22.32	490	16,500	46,120
R25-10K3-FSC	25	10	3.175	40	62	51	6.6	1	50	10	10	5	M6	48	22.32	380	12,600	33,700
R25-10K4-FSC	25	10	3.969	45 ¹⁾	65	54	6.6	1	60	10	10	5	M6	51	21.74	560	22,100	56,600
R25-20K3-FSC	25	20	3.175	40	62	51	6.6	1	80	10	10	5	M6	48	22.32	390	12,600	34,360
R25-25K2-FSC	25	25	3.175	40	62	51	6.6	1	69	10	10	5	M6	48	22.32	250	8,400	21,700
R25-20K3-FSC	25	20	3.969	45 ¹⁾	65	54	6.6	1	80	10	10	5	M6	51	21.74	430	17,100	42,900
R32-05K4-FSC	32	5	3.175	48	70	59	6.6	1	38	12	10	6	M6	54	29.32	570	18,400	59,600
R32-10K5-FSC	32	10	3.969	50	80	65	9.0	1	73	12	10	6	M6	62	28.74	850	30,800	94,500
R32-10K5-FSC	32	10	4.763	56 ¹⁾	86	71	9.0	1	79	14	10	7	M6	65	28.13	860	38,500	108,900
R32-10K5-FSC	32	10	6.350	62 ¹⁾	92	77	9.0	1	77	14	10	7	M6	74	26.91	900	56,400	144,800
R32-20K3-FSC	32	20	3.969	50	80	65	9.0	1	87	12	20	6	M6	62	28.74	520	19,000	54,300
R32-20K4-FSC	32	20	4.763	54 ¹⁾	86	71	9.0	1	106	14	20	7	M6	65	28.13	720	31,900	89,140
R32-20K4-FSC	32	20	6.350	62 ¹⁾	92	77	9.0	1	107	14	20	7	M6	74	26.91	700	42,400	108,540

Table 6.4 Nut dimensions – continuation

Article number	ds	P	Ball diameter	D min.	D1	D2	D3	Hole pattern	L	L1	L2	L3	S	B	dk	Rigidity [N/μm]	Dynamic load rating C _{dyn} [N]	Static load rating C ₀ [N]
R32-32K2-FSC	32	32	3.969	50	80	65	9.0	1	87	12	20	6	M6	62	28.74	340	12,800	35,300
R32-40K2-FSC	32	40	3.969	50	80	65	9.0	1	94	12	20	6	M6	62	28.74	320	12,400	34,400
R38-10K4-FSC	38	10	6.350	63	93	78	9.0	2	70	14	20	7	M8 × 1	70	32.91	810	50,500	137,900
R38-20K4-FSC	38	20	6.350	63	93	78	9.0	2	108	14	25	7	M8 × 1	70	32.91	830	49,900	136,600
R38-25K4-FSC	38	25	6.350	63	93	78	9.0	2	127	14	25	7	M8 × 1	70	32.91	830	49,400	135,600
R38-40K2-FSC	38	40	6.350	63	93	78	9.0	2	103	14	25	7	M8 × 1	70	32.91	400	25,900	65,600
R40-05K5-FSC	40	5	3.175	63	93	78	9.0	2	45	14	20	7	M8 × 1	70	37.32	850	24,700	94,900
R40-10K5-FSC	40	10	6.350	70 ¹⁾	100	85	9.0	2	83	14	20	7	M8 × 1	75	34.91	1,060	63,400	184,000
R40-20K4-FSC	40	20	6.350	70 ¹⁾	100	85	9.0	2	110	14	20	7	M8 × 1	75	34.91	870	51,300	144,400
R40-40K2-FSC	40	40	6.350	70 ¹⁾	100	85	9.0	2	101	14	25	7	M8 × 1	75	34.91	420	26,600	69,400
R50-05K5-FSC	50	5	3.175	70	100	85	11.0	2	45	16	20	8	M8 × 1	75	47.32	950	27,000	119,400
R50-10K5-FSC	50	10	6.350	82 ¹⁾	118	100	11.0	2	80	16	25	8	M8 × 1	92	44.91	1,250	70,500	233,000
R50-20K4-FSC	50	20	6.350	82 ¹⁾	118	100	11.0	2	106	16	25	8	M8 × 1	92	44.91	1,040	57,200	183,400
R50-20K4-FSC	50	20	9.525	86 ¹⁾	121	103	11.0	2	120	16	25	8	M8 × 1	95	42.47	1,130	98,700	274,200
R50-40K3-FSC	50	40	6.350	82 ¹⁾	118	100	11.0	2	145	16	25	8	M8 × 1	92	44.91	790	43,900	137,500
R63-10K5-FSC	63	10	6.350	95	135	115	13.5	2	84	20	25	10	M8 × 1	100	57.91	1,440	77,200	291,900
R63-20K5-FSC	63	20	6.350	95	135	115	13.5	2	132	20	25	10	M8 × 1	100	57.91	1,570	78,500	300,200
R63-20K5-FSC	63	20	9.525	107	147	127	13.5	2	140	20	25	10	M8 × 1	112	55.47	1,680	134,300	435,300
R63-40K2-FSC	63	40	6.350	95	135	115	13.5	2	110	20	25	10	M8 × 1	100	57.91	620	33,100	111,000
R80-10K5-FSC	80	10	6.350	110 ¹⁾	150	130	13.5	2	80	25	25	12.5	M8 × 1	115	74.91	1,660	86,200	379,800
R80-20K4-FSC	80	20	9.525	120 ¹⁾	165	145	13.5	2	122	25	25	12.5	M8 × 1	130	72.47	1,600	124,000	449,100

All dimensions stated without a unit are in mm

¹⁾ Non-standard series of DIN 69051 Part 5 for high leads or of nut diameters deviating from the DIN standard

- The rigidity values stated are determined by calculation without preload for loading of 30 % of the dynamic load rating
- Deviating nut dimensions on request
- Other diameters and leads on request
- Left-handed nuts on request

Order example:

R	40	40	K2	FSC	1200	1295	0.012
---	----	----	----	-----	------	------	-------

Ballscrews

Ground ballscrews

6.4.2 DIN double nut FDC (DIN 69051 Part 5) with total recirculation

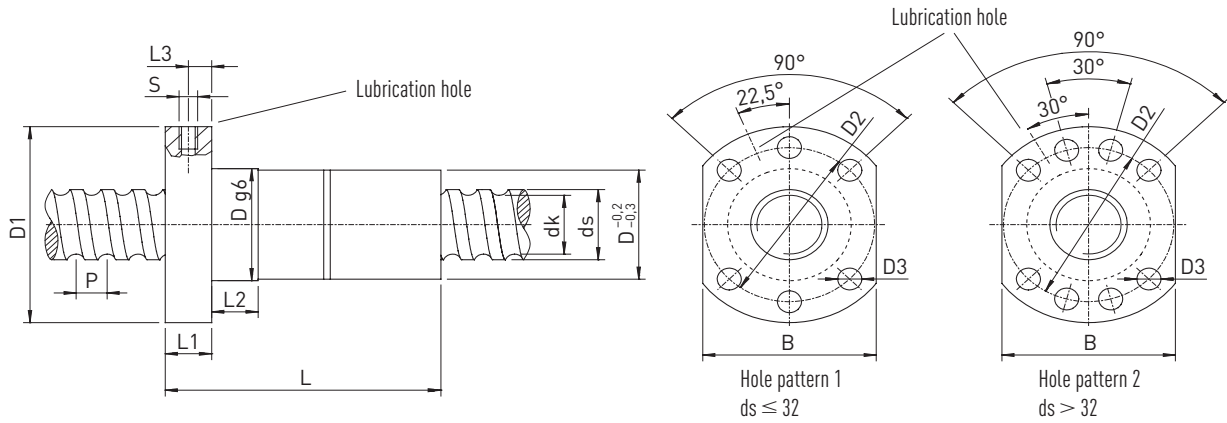


Table 6.5 Nut dimensions

Article number	ds	P	Ball diameter	D min.	D1	D2	D3	Hole pattern	L	L1	L2	L3	S	B	dk	Rigidity [N/μm]	Dynamic load rating C_{dyn} [N]	Static load rating C_0 [N]
R14-10K3-FDC	14	10	3.175	28	48	38	5.5	1	96	10	10	5	M5	40	10.724	310	9,200	17,900
R15-10K3-FDC	15	10	3.175	34 ¹⁾	57	45	5.5	1	92	10	10	5	M5	43	12.324	330	9,600	19,300
R15-20K2-FDC	15	20	3.175	34 ¹⁾	57	45	5.5	1	104	10	10	5	M5	43	12.324	200	6,300	12,560
R16-16K2-FDC	16	16	3.175	34 ¹⁾	57	45	5.5	1	98	10	10	5	M5	43	13.124	230	6,800	13,850
R20-05K4-FDC	20	5	3.175	36	58	47	6.6	1	84	10	10	5	M6	44	17.324	550	14,900	16,420
R20-10K3-FDC	20	10	3.175	36	58	47	6.6	1	98	10	10	5	M6	44	17.324	420	11,300	26,600
R20-20K2-FDC	20	20	3.175	36	58	47	6.6	1	116	10	10	5	M6	44	17.324	270	7,600	17,300
R25-05K4-FDC	20	5	3.175	40	62	51	6.6	1	90	10	10	5	M6	48	22.324	650	16,500	46,120
R25-10K3-FDC	25	10	3.175	40	62	51	6.6	1	104	10	10	5	M6	48	22.324	500	12,600	33,700
R25-10K4-FDC	25	10	3.969	45 ¹⁾	65	54	6.6	1	124	10	10	5	M6	51	21.744	740	22,100	56,600
R25-20K3-FDC	25	20	3.175	40	62	51	6.6	1	164	10	10	5	M6	48	22.324	510	12,600	34,360
R25-20K3-FDC	25	20	3.969	45 ¹⁾	65	54	6.6	1	164	10	10	5	M6	51	21.744	550	17,100	42,900
R25-25K2-FDC	25	25	3.175	40	62	51	6.6	1	142	10	10	5	M6	48	22.324	320	8,400	21,700
R32-05K4-FDC	32	5	3.175	48	70	59	6.6	1	80	12	10	6	M6	54	29.324	770	18,400	59,600
R32-10K5-FDC	32	10	3.969	50	80	65	9.0	1	150	12	10	6	M6	62	28.744	1,130	30,800	94,500
R32-10K5-FDC	32	10	4.763	56 ¹⁾	86	71	9.0	1	162	14	10	7	M6	65	28.132	1,130	38,500	108,900
R32-10K5-FDC	32	10	6.350	62 ¹⁾	92	77	9.0	1	158	14	10	7	M6	74	26.910	1,190	56,400	144,800
R32-20K3-FDC	32	20	3.969	50	80	65	9.0	1	178	12	20	6	M6	62	28.744	680	19,000	54,300
R32-20K4-FDC	32	20	4.763	54 ¹⁾	86	71	9.0	1	216	14	20	7	M6	65	28.132	940	31,900	89,140
R32-20K4-FDC	32	20	6.350	62 ¹⁾	92	77	9.0	1	218	14	20	7	M6	74	26.910	710	42,400	108,540
R32-32K2-FDC	32	32	3.969	50	80	65	9.0	1	178	12	20	6	M6	62	28.744	440	12,800	35,300
R32-40K2-FDC	32	40	3.969	50	80	65	9.0	1	192	12	20	6	M6	62	28.744	420	12,400	34,400
R38-10K4-FDC	38	10	6.350	63	93	78	9.0	2	144	14	20	7	M8 × 1	70	32.910	1,070	50,500	137,900
R38-20K4-FDC	38	20	6.350	63	93	78	9.0	2	220	14	25	7	M8 × 1	70	32.910	1,100	49,900	136,600
R38-25K4-FDC	38	25	6.350	63	93	78	9.0	2	258	14	25	7	M8 × 1	70	32.910	1,090	49,400	135,600
R38-40K2-FDC	38	40	6.350	63	93	78	9.0	2	210	14	25	7	M8 × 1	70	32.910	530	25,900	65,600
R40-05K5-FDC	40	5	3.175	63	93	78	9.0	2	95	14	20	7	M8 × 1	70	37.324	1,140	24,700	94,900
R40-10K5-FDC	40	10	6.350	70 ¹⁾	100	85	9.0	2	171	14	20	7	M8 × 1	75	34.910	1,410	63,400	184,000
R40-20K4-FDC	40	20	6.350	70 ¹⁾	100	85	9.0	2	225	14	20	7	M8 × 1	75	34.910	1,150	51,300	144,400
R40-40K2-FDC	40	40	6.350	70 ¹⁾	100	85	9.0	2	207	14	25	7	M8 × 1	75	34.910	560	26,600	69,400

Table 6.5 Nut dimensions – continuation

Article number	ds	P	Ball diameter	D min.	D1	D2	D3	Hole pattern	L	L1	L2	L3	S	B	dk	Rigidity [N/μm]	Dynamic load rating C _{dyn} [N]	Static load rating C ₀ [N]
R50-05K5-FDC	50	5	3.175	70	100	85	11.0	2	95	16	20	8.0	M8 × 1	75	47.324	1,290	27,000	119,400
R50-10K5-FDC	50	10	6.350	82 ¹⁾	118	100	11.0	2	166	16	25	8.0	M8 × 1	92	44.910	1,660	70,500	233,000
R50-20K4-FDC	50	20	6.350	82 ¹⁾	118	100	11.0	2	218	16	25	8.0	M8 × 1	92	44.910	1,380	57,200	183,400
R50-20K4-FDC	50	20	9.525	86 ¹⁾	121	103	11.0	2	245	16	25	8.0	M8 × 1	95	42.466	1,490	98,700	274,200
R50-40K3-FDC	50	40	6.350	82 ¹⁾	118	100	11.0	2	295	16	25	8.0	M8 × 1	92	44.910	1,040	43,900	137,500
R63-10K5-FDC	63	10	6.350	95	135	115	13.5	2	174	20	25	10.0	M8 × 1	100	57.910	1,920	77,200	291,900
R63-20K5-FDC	63	20	6.350	95	135	115	13.5	2	270	20	25	10.0	M8 × 1	100	57.910	2,080	78,500	300,200
R63-20K5-FDC	63	20	9.525	107	147	127	13.5	2	286	20	25	10.0	M8 × 1	112	55.466	2,220	134,300	435,300
R63-40K2-FDC	63	40	6.350	95	135	115	13.5	2	226	20	25	10.0	M8 × 1	100	57.910	820	33,100	111,000
R80-10K5-FDC	80	10	6.350	110 ¹⁾	150	130	13.5	2	170	25	25	12.5	M8 × 1	115	74.910	2,230	86,200	379,800
R80-20K4-FDC	80	20	9.525	120 ¹⁾	165	145	13.5	2	250	25	25	12.5	M8 × 1	130	72.466	2,120	124,000	449,100

All dimensions stated without a unit are in mm

¹⁾ Non-standard series of DIN 69051 Part 5 for high leads or of nut diameters deviating from the DIN standard

- The rigidity values stated are determined by calculation for a preload of 10 % of the dynamic load rating
- Deviating nut dimensions on request
- Other diameters and leads on request
- Left-handed nuts on request

Order example:

R	40	40	K2	FDC	1200	1295	0.012
---	----	----	----	-----	------	------	-------

Ballscrews

Ground ballscrews

6.4.3 Flange single nut FSI with single recirculation

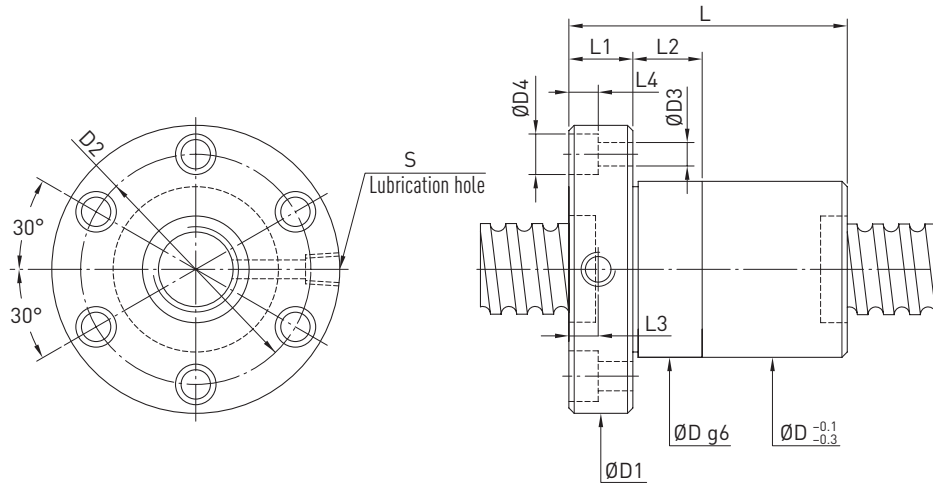


Table 6.6 Nut dimensions

Article number	ds	P	Ball diameter	D min.	D1	D2	D3	D4	L	L1	L2	L3	L4	S	dk	Rigidity [N/µm]	Dynamic load rating C_{dyn} [N]	Static load rating C_0 [N]	Mass [kg]
R8-2.5T3-FSI	8	2.5	1.500	18	35	27	4.5	—	28	5	—	—	—	—	6.65	80	1,700	2,670	0.04
R16-2T3-FSI	16	2.0	1.500	27	44	34	4.5	8.0	36	10	—	5.0	4.5	M6	14.65	140	2,520	5,930	0.17
R16-5T3-FSI	16	5.0	3.175	30	54	41	5.5	9.5	46	12	12	6.0	5.5	M6	13.32	110	7,310	13,310	0.32
R16-5T4-FSI	16	5.0	3.175	30	54	41	5.5	9.5	52	12	12	6.0	5.5	M6	13.32	120	9,360	17,750	0.34
R20-2T4-FSI	20	2.0	1.500	32	52	40	5.5	9.5	40	10	12	5.0	5.5	M6	18.65	360	3,990	11,120	0.25
R20-2T6-FSI	20	2.0	1.500	32	52	40	5.5	9.5	52	10	12	5.0	5.5	M6	18.65	320	5,180	15,510	0.29
R20-5T3-FSI	20	5.0	3.175	34	57	45	5.5	9.5	46	12	12	6.0	5.5	M6	17.32	200	8,520	17,670	0.35
R20-5T4-FSI	20	5.0	3.175	34	57	45	5.5	9.5	53	12	12	6.0	5.5	M6	17.32	270	10,910	23,560	0.38
R25-2T3-FSI	25	2.0	1.500	36	58	46	5.5	9.5	35	10	12	5.0	5.5	M6	23.65	200	3,090	9,800	0.24
R25-2T4-FSI	25	2.0	1.500	36	58	46	5.5	9.5	40	10	12	5.0	5.5	M6	23.65	270	3,950	13,070	0.26
R25-2T6-FSI	25	2.0	1.500	36	58	46	5.5	9.5	50	10	12	5.0	5.5	M6	23.65	390	5,600	19,600	0.30
R25-5T3-FSI	25	5.0	3.175	40	64	51	5.5	9.5	46	11	10	5.5	5.5	M6	22.32	280	9,770	23,140	0.42
R25-5T4-FSI	25	5.0	3.175	40	64	51	5.5	9.5	51	11	10	5.5	5.5	M6	22.32	370	12,520	30,850	0.44
R25-5T5-FSI	25	5.0	3.175	40	63	51	5.5	9.5	56	11	10	5.5	5.5	M6	22.32	400	15,160	38,560	0.47
R25-5T6-FSI	25	5.0	3.175	40	63	51	5.5	9.5	65	11	10	5.5	5.5	M6	22.32	480	17,730	46,270	0.52
R25-10T3-FSI	25	10.0	4.763	45	69	55	6.6	11.0	65	15	12	7.5	6.5	M6	21.13	250	15,910	32,360	0.80
R25-10T4-FSI	25	10.0	4.763	45	69	55	6.6	11.0	80	15	12	7.5	6.5	M6	21.13	330	20,380	43,150	0.90
R32-5T3-FSI	32	5.0	3.175	44	74	60	6.6	11.0	46	12	12	6.0	6.5	M6	29.32	330	11,170	30,810	0.49
R32-5T4-FSI	32	5.0	3.175	44	74	60	6.6	11.0	53	12	12	6.0	6.5	M6	29.32	420	14,310	41,080	0.53
R32-5T6-FSI	32	5.0	3.175	44	74	60	6.6	11.0	66	12	12	6.0	6.5	M6	29.32	630	20,270	61,620	0.59
R32-10T3-FSI	32	10.0	6.350	51	82	68	6.6	11.0	72	16	12	8.0	6.5	M6	26.91	350	25,390	53,270	1.02
R32-10T4-FSI	32	10.0	6.350	51	82	68	6.6	11.0	83	16	12	8.0	6.5	M6	26.91	480	32,520	71,020	1.11
R40-5T4-FSI	40	5.0	3.175	51	80	66	6.6	11.0	53	16	12	8.0	6.5	M8 × 1	37.32	500	15,990	52,800	0.66
R40-5T6-FSI	40	5.0	3.175	51	80	66	6.6	11.0	66	16	12	8.0	6.5	M8 × 1	37.32	740	22,650	79,190	0.73
R40-10T3-FSI	40	10.0	6.350	60	96	80	9.0	14.0	76	16	15	8.0	8.5	M8 × 1	34.91	400	29,590	70,690	1.37
R40-10T4-FSI	40	10.0	6.350	60	96	80	9.0	14.0	87	16	15	8.0	8.5	M8 × 1	34.91	510	37,890	94,260	1.49
R50-5T4-FSI	50	5.0	3.175	62	96	80	9.0	14.0	57	16	15	8.0	8.5	M8 × 1	47.32	620	17,570	67,450	0.95
R50-5T6-FSI	50	5.0	3.175	62	96	80	9.0	14.0	70	16	15	8.0	8.5	M8 × 1	47.32	910	24,900	10,117	1.04
R50-10T3-FSI	50	10.0	6.350	69	114	92	11.0	17.5	78	18	20	9.0	11.0	M8 × 1	44.91	500	33,970	92,560	1.85
R50-10T4-FSI	50	10.0	6.350	69	114	92	11.0	17.5	89	18	20	9.0	11.0	M8 × 1	44.91	630	43,500	123,410	1.98
R50-10T6-FSI	50	10.0	6.350	69	114	92	11.0	17.5	112	18	20	9.0	11.0	M8 × 1	44.91	940	61,650	185,110	2.26
R50-20T4-FSI	50	20.0	9.525	75	129	105	14.0	20.0	186	28	30	14.0	13.0	M8 × 1	42.47	800	93,270	239,550	5.30

Table 6.6 Nut dimensions – continuation

Article number	ds	P	Ball diameter	D min.	D1	D2	D3	D4	L	L1	L2	L3	L4	S	dk	Rigidity [N/μm]	Dynamic load rating C _{dyn} [N]	Static load rating C ₀ [N]	Mass [kg]
R63-10T4-FSI	63	10	6.350	82	134	110	14.0	20.0	91	20	20	10.0	13.0	M8 × 1	57.91	790	48,600	158,580	2.54
R63-10T6-FSI	63	10	6.350	82	134	110	14.0	20.0	114	20	20	10.0	13.0	M8 × 1	57.91	1,150	68,870	237,860	2.88
R80-10T4-FSI	80	10	6.350	99	152	127	14.0	20.0	91	20	20	10.0	13.0	M8 × 1	74.91	960	55,590	21,118	3.00
R80-10T6-FSI	80	10	6.350	99	152	127	14.0	20.0	114	20	20	10.0	13.0	M8 × 1	74.91	1,400	78,790	316,770	3.42
R80-20T3-FSI	80	20	9.525	108	174	143	18.0	26.0	138	24	25	12.0	17.5	M8 × 1	72.47	950	96,630	316,220	6.30
R80-20T4-FSI	80	20	9.525	108	174	143	18.0	26.0	161	24	25	12.0	17.5	M8 × 1	72.47	1,250	123,750	421,620	6.96
R100-20T4-FSI	100	20	9.525	135	194	163	18.0	26.0	161	24	30	12.0	17.5	M8 × 1	92.47	1,550	135,690	531,610	8.60

All dimensions stated without a unit are in mm

- The rigidity values stated are determined by calculation without preload for loading of 30 % of the dynamic load rating
- Deviating nut dimensions on request
- Other diameters and leads on request

Order example:

R	50	10	T4	FSI	2250	2325	0.023
---	----	----	----	-----	------	------	-------

Ballscrews

Ground ballscrews

6.4.4 Flange double nut FDI with single recirculation

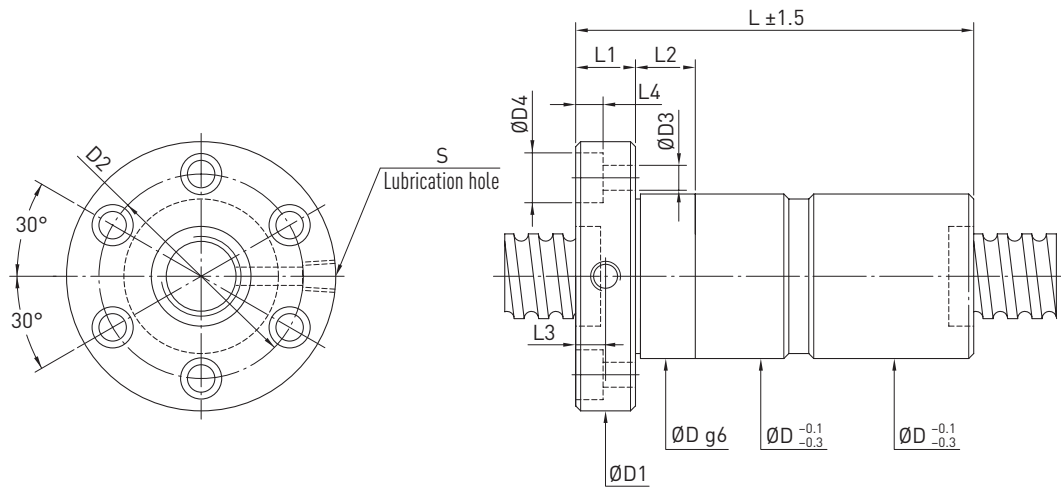


Table 6.7 Nut dimensions

Article number	ds	P	Ball diameter	D min.	D1	D2	D3	D4	L	L1	L2	L3	L4	S	dk	Rigidity [N/µm]	Dynamic load rating C_{dyn} [N]	Static load rating C_0 [N]	Mass [kg]
R16-5T3-FDI	16	5	3.175	30	54	41	5.5	9.5	78	12	24	6.0	5.5	M6	13.32	200	7,310	13,310	0.43
R16-5T4-FDI	16	5	3.175	30	54	41	5.5	9.5	90	12	24	6.0	5.5	M6	13.32	230	9,360	17,750	0.48
R20-5T3-FDI	20	5	3.175	34	57	45	5.5	9.5	78	12	24	6.0	5.5	M6	17.32	390	8,520	17,670	0.49
R20-5T4-FDI	20	5	3.175	34	57	45	5.5	9.5	92	12	24	6.0	5.5	M6	17.32	540	10,910	23,560	0.55
R25-5T3-FDI	25	5	3.175	40	64	52	5.5	9.5	78	12	24	5.5	5.5	M6	22.32	550	9,770	23,140	0.59
R25-5T4-FDI	25	5	3.175	40	64	52	5.5	9.5	96	12	24	5.5	5.5	M6	22.32	730	12,520	30,850	0.69
R25-10T3-FDI	25	10	4.763	51	74	60	6.6	11.0	140	15	24	7.5	6.5	M6	21.13	490	16,430	32,650	1.38
R32-5T3-FDI	32	5	3.175	44	74	60	6.6	11.0	78	12	24	6.0	6.5	M6	29.32	640	11,170	30,810	0.65
R32-5T4-FDI	32	5	3.175	44	74	60	6.6	11.0	96	12	24	6.0	6.5	M6	29.32	820	14,310	41,080	0.74
R32-5T6-FDI	32	5	3.175	44	74	60	6.6	11.0	118	12	24	6.0	6.5	M6	29.32	1,210	20,270	61,620	0.85
R32-10T3-FDI	32	10	6.350	51	82	68	6.6	11.0	129	16	24	8.0	6.5	M6	26.91	680	25,390	53,270	1.50
R32-10T4-FDI	32	10	6.350	51	82	68	6.6	11.0	155	16	24	8.0	6.5	M6	26.91	820	32,520	71,020	1.72
R40-5T4-FDI	40	5	3.175	51	80	66	6.6	11.0	96	16	24	8.0	6.5	M8 × 1	37.32	990	15,990	52,800	0.89
R40-5T6-FDI	40	5	3.175	51	80	66	6.6	11.0	122	16	24	8.0	6.5	M8 × 1	37.32	1,460	22,650	79,190	1.03
R40-10T3-FDI	40	10	6.350	60	96	80	9.0	14.0	133	16	30	8.0	8.5	M8 × 1	34.91	760	29,590	70,690	1.99
R40-10T4-FDI	40	10	6.350	60	96	80	9.0	14.0	155	16	30	8.0	8.5	M8 × 1	34.91	1,010	37,890	94,260	2.22
R50-5T4-FDI	50	5	3.175	62	96	80	9.0	14.0	96	16	30	8.0	8.5	M8 × 1	47.32	1,210	17,570	67,450	1.23
R50-5T6-FDI	50	5	3.175	62	96	80	9.0	14.0	122	16	30	8.0	8.5	M8 × 1	47.32	1,770	24,900	101,170	1.42
R50-10T3-FDI	50	10	6.350	69	114	92	11.0	17.5	135	18	40	9.0	11.0	M8 × 1	44.91	950	33,970	92,560	2.53
R50-10T4-FDI	50	10	6.350	69	114	92	11.0	17.5	157	18	40	9.0	11.0	M8 × 1	44.91	1,240	43,500	123,410	2.80
R50-10T6-FDI	50	10	6.350	69	114	92	11.0	17.5	203	18	40	9.0	11.0	M8 × 1	44.91	1,840	61,650	185,110	3.35
R63-10T4-FDI	63	10	6.350	82	134	110	14.0	20.0	159	20	40	10.0	13.0	M8 × 1	57.91	1,580	48,600	158,580	3.53
R63-10T6-FDI	63	10	6.350	82	134	110	14.0	20.0	205	20	40	10.0	13.0	M8 × 1	57.91	2,280	68,870	237,860	4.20
R80-10T4-FDI	80	10	6.350	99	152	127	14.0	20.0	172	20	40	10.0	13.0	M8 × 1	74.91	1,900	55,590	211,180	4.45
R80-10T6-FDI	80	10	6.350	99	152	127	14.0	20.0	214	20	40	10.0	13.0	M8 × 1	74.91	2,770	78,790	316,770	5.20
R80-20T3-FDI	80	20	9.525	108	174	143	18.0	26.0	250	24	50	12.0	17.5	M8 × 1	72.47	1,890	96,630	316,220	9.54
R80-20T4-FDI	80	20	9.525	108	174	143	18.0	26.0	296	24	50	12.0	17.5	M8 × 1	72.47	2,480	123,750	421,620	10.87
R100-20T4-FDI	100	20	9.525	135	194	163	18.0	26.0	296	24	60	12.0	17.5	M8 × 1	92.47	3,000	135,690	531,610	12.69

All dimensions stated without a unit are in mm

- The rigidity values stated are determined by calculation for a preload of 10 % of the dynamic load rating
- Deviating nut dimensions on request
- Other diameters and leads on request

Order example:

R	50	10	T4	FDI	2250	2325	0.023
---	----	----	----	-----	------	------	-------

Ballscrews

Ground ballscrews

6.4.5 Cylindrical single nut RSI with single recirculation

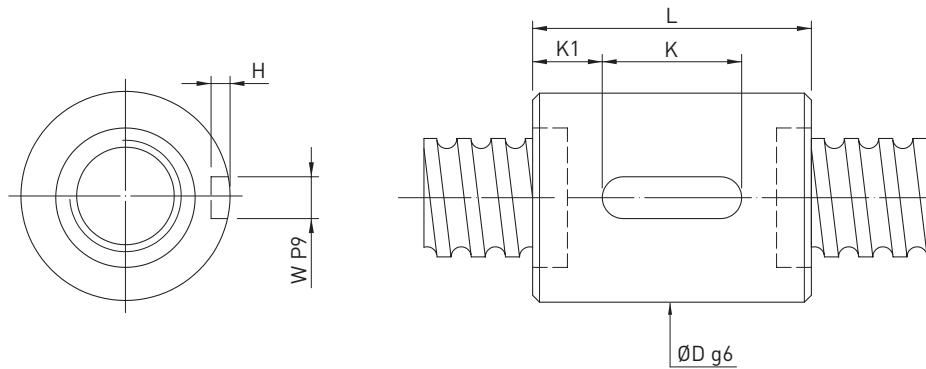


Table 6.8 Nut dimensions

Article number	Size		Ball diameter	Circuits	Rigidity K [N/μm]	Dynamic load rating C_{dyn} [N]	Static load rating C_0 [N]	Nut		Feather key groove			
	Nominal Ø	Lead						D	L	K	W	H	K1
R16-2T4-RSI	16	2	1.500	4	150	1,780	3,950	25	25	20	3	1.8	2.5
R16-5T3-RSI	16	5	3.175	3	110	7,310	13,310	28	40	20	3	1.8	10.0
R16-5T4-RSI	16	5	3.175	4	120	9,360	17,750	28	46	20	3	1.8	13.0
R20-5T3-RSI	20	5	3.175	3	200	8,520	17,670	32	41	20	3	1.8	10.5
R20-5T4-RSI	20	5	3.175	4	270	10,910	23,560	32	48	20	3	1.8	14.0
R25-5T3-RSI	25	5	3.175	3	280	9,770	23,140	37	41	20	4	2.5	10.5
R25-5T4-RSI	25	5	3.175	4	370	12,520	30,850	37	48	20	4	2.5	14.0
R32-5T3-RSI	32	5	3.175	3	330	11,170	30,810	44	41	20	4	2.5	10.5
R32-5T4-RSI	32	5	3.175	4	420	14,310	41,080	44	48	20	4	2.5	14.0
R32-5T6-RSI	32	5	3.175	6	630	20,270	61,620	44	61	25	4	2.5	18.0
R32-10T3-RSI	32	10	6.350	3	350	25,390	53,270	51	68	25	6	3.5	21.5
R32-10T4-RSI	32	10	6.350	4	480	32,520	71,020	51	79	32	6	3.5	23.5
R40-5T4-RSI	40	5	3.175	4	500	15,990	52,800	51	48	20	4	2.5	14.0
R40-5T6-RSI	40	5	3.175	6	740	22,650	79,190	51	61	25	4	2.5	18.0
R40-10T3-RSI	40	10	6.350	3	400	29,590	70,690	60	68	25	6	3.5	21.5
R40-10T4-RSI	40	10	6.350	4	510	37,890	94,260	60	79	32	6	3.5	23.5
R50-5T4-RSI	50	5	3.175	4	620	17,570	67,450	62	48	20	4	2.5	14.0
R50-5T6-RSI	50	5	3.175	6	910	24,900	101,170	62	61	25	4	2.5	18.0
R50-10T3-RSI	50	10	6.350	3	500	33,970	92,560	69	68	32	6	3.5	18.0
R50-10T4-RSI	50	10	6.350	4	630	43,500	123,410	69	79	32	6	3.5	23.5
R50-10T6-RSI	50	10	6.350	6	940	61,650	185,110	69	102	40	6	3.5	31.0
R63-6T4-RSI	63	6	3.969	4	750	26,740	105,420	78	56	25	6	3.5	15.5
R63-6T6-RSI	63	6	3.969	6	1,130	37,040	158,130	78	70	32	6	3.5	19.0
R80-10T4-RSI	80	10	6.350	4	960	55,590	211,180	99	79	32	8	4.0	23.5
R80-10T6-RSI	80	10	6.350	6	1,400	78,790	316,770	99	102	40	8	4.0	31.0
R80-20T3-RSI	80	20	9.525	3	950	96,630	316,220	108	126	50	10	5.0	38.0
R80-20T4-RSI	80	20	9.525	4	1,250	123,750	421,620	108	149	63	10	5.0	43.0
R100-20T4-RSI	100	20	9.525	4	1,550	135,690	531,610	125	149	63	10	5.0	43.0

All dimensions stated without a unit are in mm

- The rigidity values stated are determined by calculation without preload for loading of 30 % of the dynamic load rating
- Deviating nut dimensions on request
- Other diameters and leads on request

Order example:

R	32	10	T4	RSI	1500	1615	0.012
---	----	----	----	-----	------	------	-------

6.4.6 Cylindrical double nut RDI with single recirculation

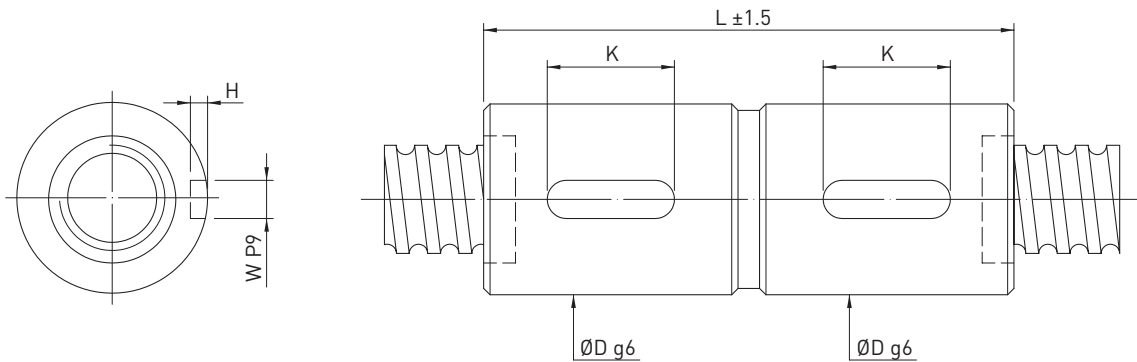


Table 6.9 Nut dimensions

Article number	Size		Ball diameter	Circuits	Rigidity K [N/µm]	Dynamic load rating C _{dyn} [N]	Static load rating C ₀ [N]	Nut		Feather key groove		
	Nominal Ø	Lead						D	L	K	W	H
R16-5T3-RDI	16	5	3.175	3	200	7,310	13,310	28	72	20	3	1.8
R16-5T4-RDI	16	5	3.175	4	230	9,360	17,750	28	85	20	3	1.8
R20-5T3-RDI	20	5	3.175	3	390	8,520	17,670	32	75	20	3	1.8
R20-5T4-RDI	20	5	3.175	4	540	10,910	23,560	32	85	20	3	1.8
R25-5T3-RDI	25	5	3.175	3	550	9,770	23,140	37	75	20	4	2.5
R25-5T4-RDI	25	5	3.175	4	730	12,520	30,850	37	85	20	4	2.5
R32-5T3-RDI	32	5	3.175	3	640	11,170	30,810	44	75	20	4	2.5
R32-5T4-RDI	32	5	3.175	4	820	14,310	41,080	44	85	20	4	2.5
R32-5T6-RDI	32	5	3.175	6	1,210	20,270	61,620	44	105	25	4	2.5
R32-10T3-RDI	32	10	6.350	3	680	25,390	53,270	51	135	25	6	3.5
R32-10T4-RDI	32	10	6.350	4	820	32,520	71,020	51	155	32	6	3.5
R40-5T4-RDI	40	5	3.175	4	990	15,990	52,800	51	85	20	4	2.5
R40-5T6-RDI	40	5	3.175	6	1,460	22,650	79,190	51	105	25	4	2.5
R40-10T3-RDI	40	10	6.350	3	760	29,590	70,690	60	135	25	6	3.5
R40-10T4-RDI	40	10	6.350	4	1,010	37,890	94,260	60	155	32	6	3.5
R50-5T4-RDI	50	5	3.175	4	1,210	17,570	67,450	62	85	20	4	2.5
R50-5T6-RDI	50	5	3.175	6	1,770	24,900	101,170	62	105	25	4	2.5
R50-10T3-RDI	50	10	6.350	3	950	33,970	92,560	69	135	32	6	3.5
R50-10T4-RDI	50	10	6.350	4	1,240	43,500	123,410	69	155	32	6	3.5
R50-10T6-RDI	50	10	6.350	6	1,840	61,650	185,110	69	197	40	6	3.5
R63-10T4-RDI	63	10	6.350	4	1,580	48,600	158,580	82	160	32	8	4.0
R63-10T6-RDI	63	10	6.350	6	2,280	68,870	237,860	82	202	40	8	4.0
R63-20T4-RDI	63	20	9.525	4	1,890	106,570	312,510	90	260	50	8	4.0
R80-10T4-RDI	80	10	6.350	4	1,900	55,590	211,180	99	160	32	8	4.0
R80-10T6-RDI	80	10	6.350	6	2,770	78,790	316,770	99	202	40	8	4.0
R80-20T3-RDI	80	20	9.525	3	1,890	96,630	316,220	108	245	50	10	5.0
R80-20T4-RDI	80	20	9.525	4	2,480	123,750	421,620	108	289	63	10	5.0
R100-20T4-RDI	100	20	9.525	4	3,000	135,690	531,610	125	289	63	10	5.0

All dimensions stated without a unit are in mm

- The rigidity values stated are determined by calculation for a preload of 10 % of the dynamic load rating
- Deviating nut dimensions on request
- Other diameters and leads on request

Order example:

R	32	10	T4	RDI	1500	1615	0.012
---	----	----	----	-----	------	------	-------

Ballscrews

Ballscrews for special requirements

7. Ballscrews for special requirements

7.1 Driven nut unit AME

- Nuts are arranged with axial angular contact ball bearings ZKLF...ZF (less stringent PE version)
- Bearing is preloaded by HIR lock nut

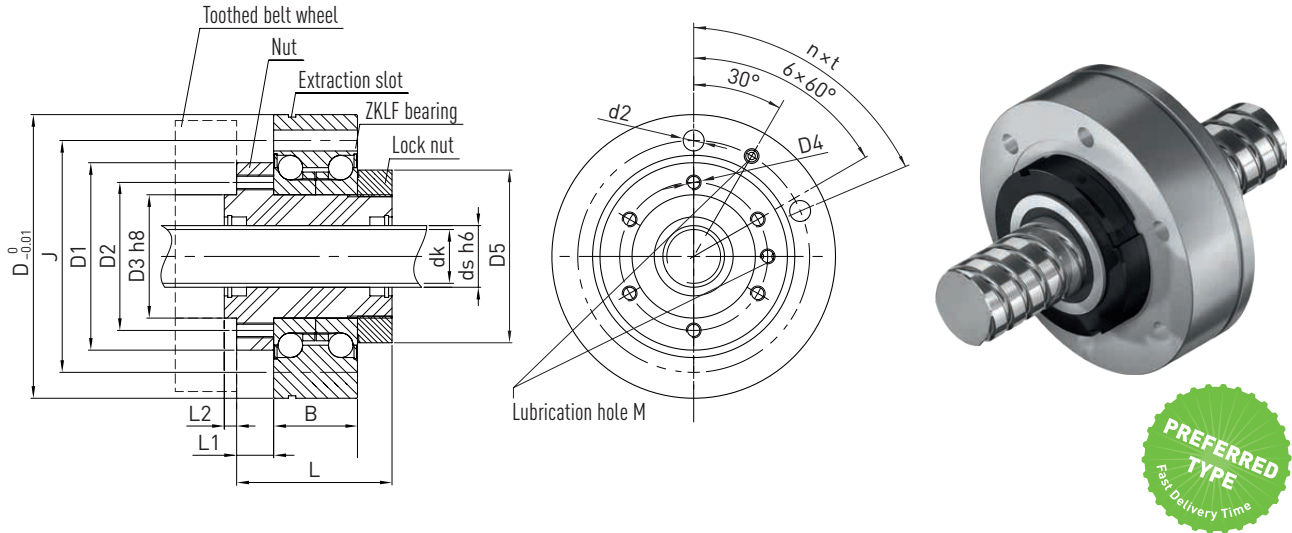


Table 7.1 Nut dimensions

Article number	Shaft dimensions			Nut dimensions									Bearing dimensions				Dynamic load rating C_{dyn} [N]	Static load rating C_0 [N]	n max. [rpm]	
	ds	P	dk	D1	D2	D3	D4	D5	L	L1	L2	M	D	J	n × t	d2				B
R16-05T3-AME	16	5	13.5	50	40	30	M6	47	50	10	3	M6	80	63	6 × (60°)	6.5	28	9,600	12,700	4,000
R20-05T4-AME	20	5	17.5	63	52	40	M6	60	60	12	5	M6	100	80	4 × (90°)	8.5	34	13,900	21,800	3,300
R25-05T4-AME	25	5	22.5	76	60	50	M6	72	63	15	5	M6	115	94	6 × (60°)	8.5	34	15,600	27,900	3,000
R25-10T3-AME	25	10	21.0	76	60	50	M6	72	74	15	5	M6	115	94	6 × (60°)	8.5	34	24,100	36,200	3,000
R32-05T5-AME	32	5	29.5	76	62	50	M8	72	70	15	5	M6	115	94	6 × (60°)	8.5	34	20,700	43,900	3,000
R32-10T4-AME	32	10	27.8	76	62	50	M8	72	105	15	5	M6	115	94	6 × (60°)	8.5	34	40,900	63,200	3,000
R32-20T2-AME	32	20	27.8	76	62	50	M8	72	100	15	5	M6	115	94	6 × (60°)	8.5	34	20,300	26,800	3,000
R40-05T5-AME	40	5	37.5	90	70	60	M8	82	76	15	5	M6	145	120	8 × (45°)	8.5	45	22,500	54,600	2,400
R40-10T3-AME	40	10	35.8	90	70	60	M8	82	85	15	5	M6	145	120	8 × (45°)	8.5	45	37,100	61,900	2,400
R40-20T2-AME	40	20	35.8	90	70	60	M8	82	105	15	5	M6	145	120	8 × (45°)	8.5	45	23,800	36,400	2,400
R50-05T5-AME	50	5	47.5	100	84	70	M10	94	78	15	5	M6	155	130	8 × (45°)	8.5	45	24,900	69,800	2,200
R50-10T4-AME	50	10	45.8	100	84	70	M10	94	95	15	5	M6	155	130	8 × (45°)	8.5	45	52,800	106,800	2,200
R50-20T3-AME	50	20	45.8	100	84	70	M10	94	120	15	5	M6	155	130	8 × (45°)	8.5	45	40,000	76,200	2,200
R63-10T6-AME	63	10	58.8	130	110	90	M10	122	120	20	7	M8	190	165	8 × (45°)	10.5	55	84,700	210,800	1,800

All dimensions stated without a unit are in mm

Order example: **R** **40** **20** **T2** **AME** **3800** **3900** **0.052**

7.2 Ballscrews for heavy-duty operation

7.2.1 Areas of application

Ballscrews for heavy-duty operation are used in applications such as in injection moulding machines, die casting machines, presses, driving mechanisms and robots.

7.2.2 Performance features

Can withstand high loads

- Load capacities 2–3 times greater than standard versions
- High load rating for axial loads, good acceleration
- Short travel distance thanks to special design for lubrication

Accuracy

- T5 and T7

High rapid motion speeds and long service life

- Reinforced ball recirculation systems for use at high speeds and with long service lives

Maximum length: 2 m

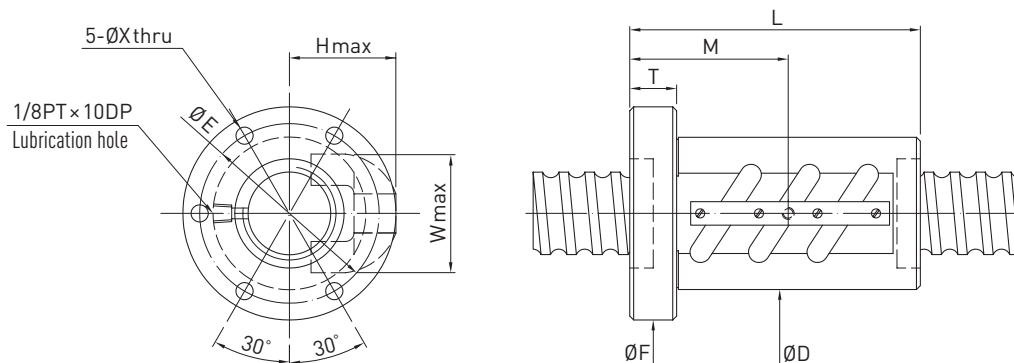


Table 7.2 Nut dimensions

Article number	Nominal diameter	Lead	Circuits	Dynamic load rating C_{dyn} [kN]	Static load rating C_0 [kN]	D	L	F	T	E	X	H	W
R45-10B3-FSV	45	10	2.5 × 3	145	488	70	143	104	18	87	9	47.0	52
R50-12B3-FSV	50	12	2.5 × 3	175	602	77	171	111	22	94	9	52.0	59
R50-16B3-FSV	50	16	2.5 × 3	330	971	95	223	129	28	112	9	68.0	66
R55-16B3-FSV	55	16	2.5 × 3	343	1,054	99	223	133	28	116	9	70.0	70
R63-16B3-FSV	63	16	2.5 × 3	368	1,217	105	223	139	28	122	9	72.5	76
R80-16B3-FSV	80	16	2.5 × 3	409	1,543	120	227	154	32	137	9	80.0	92
R80-25B3-FSV	80	25	2.5 × 3	714	2,366	145	338	185	40	165	11	102.0	100
R100-16B3-FSV	100	16	2.5 × 3	453	1,949	145	227	185	32	165	11	91.0	109
R100-25B3-FSV	100	25	2.5 × 3	788	2,920	159	338	199	40	179	11	108.5	118
R120-25B3-FSV	120	25	2.5 × 3	850	3,473	173	338	213	40	193	11	116.0	135

All dimensions stated without a unit are in mm

Order example: **R** **80** **25** **B3** **FSV** **1180** **1530** **0.023**

Ballscrews

Accessories

8. Shaft ends and accessories

8.1 Shaft ends and bearing configuration

To reduce the amount of design work required, we provide standardised end machining processes and bearing units. We recommend the "B", "E" and "F" bearing series for simple transport applications and low axial forces. The SFA and SLA bearing units are suited to more challenging precision applications. The WBK series is available for heavy-duty applications.

When selecting the suitable bearing type, the permissible axial force of the fixed bearing must also be taken into account.

Table 8.1 Overview of standard shaft ends for SFA, SLA bearing series

<p>Supported bearing type S1 Bearing: deep groove ball bearing 60.. or 62.. For SLA bearing unit</p>	<p>Fixed bearing type S2 Bearing: ZKLF.. or ZKLN.. For SFA bearing unit</p>	<p>Fixed bearing type S3 Bearing: ZKLF.. or ZKLN.. For SFA bearing unit</p>
<p>Supported bearing type S11 Bearing: deep groove ball bearing 60.. or 62.. For SLA bearing unit</p>	<p>Fixed bearing type S21 Bearing: ZKLF.. or ZKLN.. For SFA bearing unit</p>	<p>Supported bearing type S5 Bearing: deep groove ball bearing 62.. For SLA bearing unit</p>

Example: Designation of shaft end, type S2, with the fit diameter $d = 20$: S2-20

Table 8.2 Dimensions of standard shaft ends for SFA, SLA bearing series

Shaft end type	Ballscrew nominal \varnothing	d	D2	D3	L1	L2	L3	L5	L12	L15	DE	LE	LA	LP	LZ	Width \times depth	Recess R
S_-06	12	6	M6 \times 0.5	5 j6	31	37	—	8	—	6	5.7 h10	0.80	26	—	16	—	10002475
S_-10	15, 16	10	M10 \times 0.75	8 j6	39	50	30	12	12	9	9.6 h10	1.10	32	14	20	2 \times 1.2	10002475
S_-12	20	12	M12 \times 1	10 j6	43	58	35	13	12	10	11.5 h11	1.10	35	16	23	3 \times 1.8	10002475
S_-17	25	17	M17 \times 1	14 j6	60	73	43	15	20	12	16.2 h11	1.10	50	20	30	5 \times 3	10002475
S_-20	32	20	M20 \times 1	14 j6	62	76	46	17	20	14	19 h12	1.30	50	20	30	5 \times 3	10002476
S_-25	40	25	M25 \times 1.5	20 j6	83	96	46	19	20	15	23.9 h12	1.30	71	36	50	6 \times 3.5	10002476
S_-30	40	30	M30 \times 1.5	25 j6	95	108	48	20	22	16	28.6 h12	1.60	82	45	60	8 \times 4	10002476
S_-40	50	40	M40 \times 1.5	32 k6	119	135	55	22	24	18	37.5 h12	1.85	104	56	80	10 \times 5	10002476
S_-50	63	50	M50 \times 1.5	40 k6	142	155	55	25	24	20	47 h12	2.15	124	70	100	12 \times 5	10002476
S_-60	80	60	M60 \times 2	50 k6	155	177	67	28	25	22	57 h12	2.15	135	70	110	14 \times 5.5	10002476

Unit: mm

Table 8.3 Overview of standard shaft ends for EK, BK, FK, EF, BF, FF bearing series

<p>Fixed bearing type E8 Bearing: 70.. For EK, FK bearing units</p>	<p>Fixed bearing type E9 Bearing: 72.. For BK bearing unit</p>	<p>Supported bearing type E10 Bearing: deep groove ball bearing 60.. or 62.. For EF, BF, FF bearing units</p>
<p>Fixed bearing type E81 Bearing: 70.. For EK, FK bearing units</p>	<p>Fixed bearing type E91 Bearing: 72.. For BK bearing unit</p>	

Example: Designation of shaft end, type S3, with the fit diameter $d = 10$: S3-10

Table 8.4 Dimensions of standard shaft ends for EK, BK, FK, EF, BF, FF bearing series

Shaft end type	Ball screw nominal \varnothing	d	D4	D5	D10	L8	L9	L10	L16	L17	DE	LB	LC	LP	Width \times depth	C	Recess R
E_-08	12	8	6	M8 \times 1	6	41	—	9	6	0.80	5.8	9	19	—	—	5.5	10002475
E_-10	15, 16	10	8	M10 \times 1	8	56	—	10	7	0.90	7.7	20	31	14	2 \times 1.2	5.5	10002475
E10-12	16 ¹⁾	12	10	M12 \times 1	10	59	—	11	8	1.15	9.6	23	34	16	3 \times 1.8	5.5	10002475
E8-12	16 ¹⁾	12	10	M12 \times 1	10	59	—	11	8	1.15	9.6	23	34	16	3 \times 1.8	5.5	10002475
E81-12	16 ¹⁾	12	10	M12 \times 1	10	59	—	11	8	1.15	9.6	23	34	16	3 \times 1.8	5.5	10002475
E_-15	20	15	12	M15 \times 1	15	70	—	13	9	1.15	14.3	23	36	16	4 \times 2.5	10	10002475
E_-20	25	20	17	M20 \times 1	20	92	—	19	14	1.35	19.0	30	47	20	5 \times 3.0	11	10002476
E_-25	32	25	20	M25 \times 1.5	25	126	115	20	15	1.35	23.9	50	70	36	6 \times 3.5	15 (9) ³⁾	10002476
E_-30	40	30	25	M30 \times 1.5	30	132	132	21	16	1.75	28.6	60	85	45	8 \times 4.0	9	10002476
E_-40	50	40	35 ²⁾	M40 \times 1.5	40	—	173	23	18	1.95	38.0	80	115	56	10 \times 5	15	10002476

Unit: mm

¹⁾ Depending on actual shaft outer diameter $d_{s \min} = 15.5$

²⁾ Tolerance k6

³⁾ For BK 25

It goes without saying that we also machine the shaft ends to your drawings and individual requirements.

Ballscrews

Accessories

Table 8.5 Overview of standard shaft ends for WBK bearing series

Fixed bearing type W1 Bearing: BSB.. For WBK_DF bearing unit	Fixed bearing type W2 Bearing: BSB.. For WBK_DFD bearing unit	Fixed bearing type W3 Bearing: BSB.. For WBK_DFF bearing unit
Fixed bearing type W11 Bearing: BSB.. For WBK_DF bearing unit	Fixed bearing type W21 Bearing: BSB.. For WBK_DFD bearing unit	Fixed bearing type W31 Bearing: BSB.. For WBK_DFF bearing unit

Example: Designation of shaft end, type W2, with the fit diameter $d = 20$: W2-20

Table 8.6 Dimensions of standard shaft ends for WBK bearing series

Shaft end type	Ballscrew nominal \varnothing	d	D4	D5	L11	L12	L13	LB	LC	LP	Width \times depth	Recess R
W_-15	20	15	12	M15 \times 1	104	—	—	23	46	16	4 \times 2.5	10002475
W_-17	25	17	14	M17 \times 1	111	—	—	30	53	20	5 \times 3.0	10002475
W_-20	25	20	17	M20 \times 1	111	—	—	30	53	20	5 \times 3.0	10002476
W_-25	32	25	20	M25 \times 1.5	139	154	—	50	76	36	6 \times 3.5	10002476
W_-30	40	30	25	M30 \times 1.5	149	164	—	60	86	45	8 \times 4.0	10002476
W_-35	45	35	30	M35 \times 1.5	152	167	182	60	90	45	8 \times 4.0	10002476
W_-40	50	40	35 ¹⁾	M40 \times 1.5	172	187	202	80	110	56	10 \times 5.0	10002476

Unit: mm

¹⁾ Tolerance k6

It goes without saying that we also machine the shaft ends to your drawings and individual requirements.

Table 8.7 HIWIN recesses

HIWIN recess 10002475	HIWIN recess 10002476

Table 8.8 Overview of bearing type and associated end machining for SLA, SFA bearing units

Ballscrew nominal Ø	Fixed bearing		Supported bearing	
	Pillow block	End machining	Pillow block	End machining
12	SFA06	S21-06	SLA06	S5-06 / S11-06
15, 16	SFA10	S2-10 / S3-10 / S21-10	SLA10	S1-10 / S5-10 / S11-10
20	SFA12	S2-12 / S3-12 / S21-12	SLA12	S1-12 / S5-12 / S11-12
25	SFA17	S2-17 / S3-17 / S21-17	SLA17	S1-17 / S5-17 / S11-17
32	SFA20	S2-20 / S3-20 / S21-20	SLA20	S1-20 / S5-20 / S11-20
40	SFA30	S2-30 / S3-30 / S21-30	SLA30	S1-30 / S5-30 / S11-30
50	SFA40	S2-40 / S3-40 / S21-40	SLA40	S1-40 / S5-40 / S11-40

Table 8.9 Overview of bearing type and associated end machining for EK, BK, FK, EF, BF, FF bearing series

Ballscrew nominal Ø	Fixed bearing				Supported bearing			
	Pillow block	End machining	Flange bearing	End machining	Pillow block	End machining	Flange bearing	End machining
12	EK08	E81-08	FK08	E81-08	EF08	E10-08	—	—
15, 16	EK10	E8-10 / E81-10	FK10	E8-10 / E81-10	EF10	E10-10	FF10	E10-10
16 ¹⁾	EK12	E8-12 / E81-12	FK12	E8-12 / E81-12	EF12	E10-12	FF12	E10-12
20	EK15	E8-15 / E81-15	FK15	E8-15 / E81-15	EF15	E10-15	FF15	E10-15
25	EK20	E8-20 / E81-20	FK20	E8-20 / E81-20	EF20	E10-20	FF20	E10-20
32	BK25	E9-25 / E91-25	FK25	E8-25 / E81-25	BF25	E10-25	FF25	E10-25
40	BK30	E9-30 / E91-30	FK30	E8-30 / E81-30	BF30	E10-30	FF30	E10-30
50	BK40	E9-40 / E91-40	—	—	BF40	E10-40	—	—

¹⁾ depending on actual shaft outer diameter $d_{s \min} = 15.5$

Table 8.10 Overview of bearing type and associated end machining for WBK bearing unit

Ballscrew nominal Ø	Flange bearing	End machining
20	WBK15DF	W1-15 / W11-15
25	WBK17DF	W1-17 / W11-17
25	WBK20DF	W1-20 / W11-20
32	WBK25DF	W1-25 / W11-25
32	WBK25DFD	W2-25 / W21-25
40	WBK30DF	W1-30 / W11-30
40	WBK30DFD	W2-30 / W21-30
45	WBK35DF	W1-35 / W11-35
45	WBK35DFD	W2-35 / W21-35
45	WBK35DFF	W3-35 / W31-35
50	WBK40DF	W1-40 / W11-40
50	WBK40DFD	W2-40 / W21-40
50	WBK40DFF	W3-40 / W31-40

Ballscrews

Accessories

8.2 WBK bearing series

series are especially suited to use in heavy-duty ballscrews. Depending on the axial loads present, the WBK bearing units are available with the DF, DFD and DFF bearing arrangements.

The end machining processes suited to the WBK fixed bearing are types W1, W2 and W3 (Section 8.1).

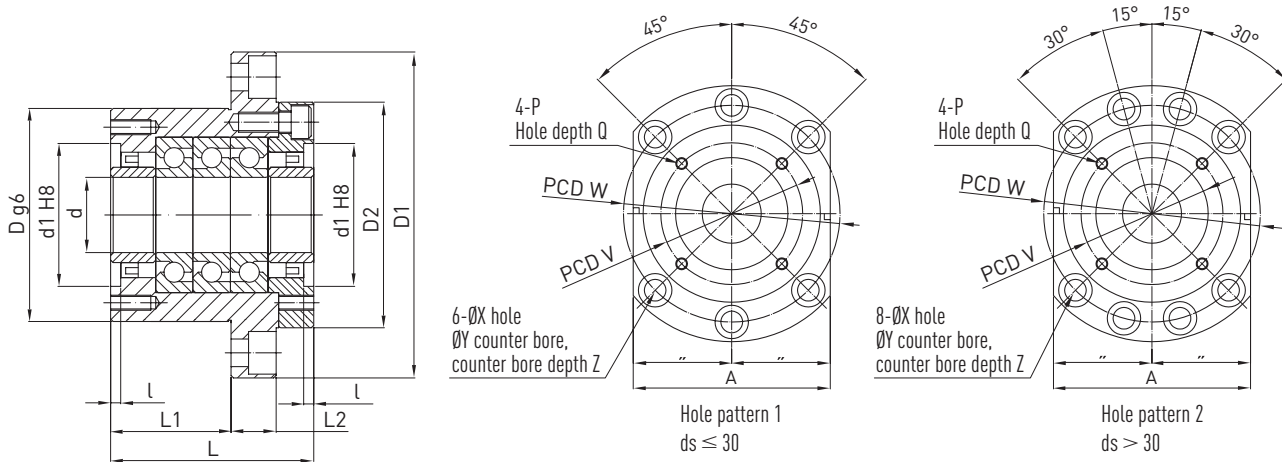
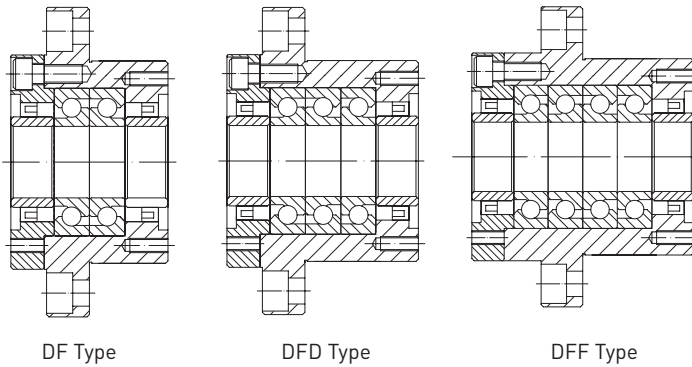


Table 8.11 Bearing unit dimensions

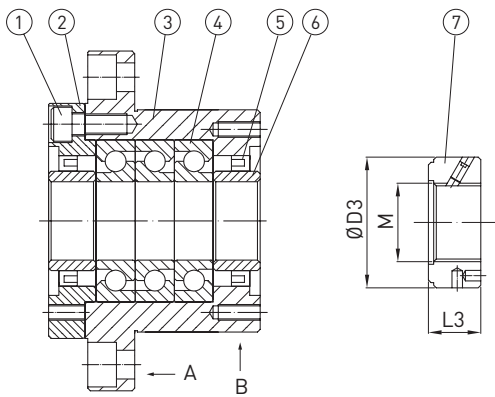
Article number	Shaft nominal \emptyset	d	D	D1	D2	L	L1	L2	A	W	X	Y	Z	d1	l	V	P	Q
WBK15DF	20	15	70	106	72	60	32	15	80	88	9	14.0	8.5	45	3	58	M5	10
WBK17DF	25	17	70	106	72	60	32	15	80	88	9	14.0	8.5	45	3	58	M5	10
WBK20DF	25	20	70	106	72	60	32	15	80	88	9	14.0	8.5	45	3	58	M5	10
WBK25DF	32	25	85	130	90	66	33	18	100	110	11	17.5	11.0	57	4	70	M6	12
WBK25DFD	32	25	85	130	90	81	48	18	100	110	11	17.5	11.0	57	4	70	M6	12
WBK30DF	40	30	85	130	90	66	33	18	100	110	11	17.5	11.0	57	4	70	M6	12
WBK30DFD	40	30	85	130	90	81	48	18	100	110	11	17.5	11.0	57	4	70	M6	12
WBK35DF	45	35	95	142	102	66	33	18	106	121	11	17.5	11.0	69	4	80	M6	12
WBK35DFD	45	35	95	142	102	81	48	18	106	121	11	17.5	11.0	69	4	80	M6	12
WBK35DFF	45	35	95	142	102	96	48	18	106	121	11	17.5	11.0	69	4	80	M6	12
WBK40DF	50	40	95	142	102	66	33	18	106	121	11	17.5	11.0	69	4	80	M6	12
WBK40DFD	50	40	95	142	102	81	48	18	106	121	11	17.5	11.0	69	4	80	M6	12
WBK40DFF	50	40	95	142	102	96	48	18	106	121	11	17.5	11.0	69	4	80	M6	12

Unit: mm

Bearing arrangements



Bearing structure



(1) Mounting bolt, (2) Bearing cover, (3) Bearing housing, (4) Bearing, (5) Seal, (6) Spacer, (7) Lock nut

Note:

1. Use reference planes A and B for alignment during assembly.
2. To ensure high accuracy, parts 1 – 6 must not be disassembled.

Table 8.12 **Technical data of bearing**

Article number	Dynamic load rating C_{dyn} [kN]	Permissible axial load [kN]	Preload [kN]	Axial rigidity [N/ μ m]	Starting torque [Nm]	Lock nut			Weight [kg]	
						M	D3	L3		
WBK15DF	21.9	26.6	2.15	750	0.19	M15 × 1	30	14	52	1.9
WBK17DF	21.9	26.6	2.15	750	0.19	M17 × 1	32	16	74	1.9
WBK20DF	21.9	26.6	2.15	750	0.19	M20 × 1	38	16	118	1.9
WBK25DF	28.5	40.5	3.15	1,000	0.29	M25 × 1.5	38	18	188	3.1
WBK25DFD	46.5	81.5	4.30	1,470	0.39	M25 × 1.5	38	18	188	3.4
WBK30DF	29.2	43.0	3.35	1,030	0.30	M30 × 1.5	45	18	260	3.0
WBK30DFD	47.5	86.0	4.50	1,520	0.40	M30 × 1.5	45	18	260	3.3
WBK35DF	31.0	50.0	3.80	1,180	0.34	M35 × 1.5	52	18	340	3.4
WBK35DFD	50.5	100.0	5.20	1,710	0.45	M35 × 1.5	52	18	340	4.3
WBK35DFF	50.5	100.0	7.65	2,350	0.59	M35 × 1.5	52	18	340	5.0
WBK40DF	31.5	52.0	3.90	1,230	0.36	M40 × 1.5	58	20	500	3.6
WBK40DFD	51.5	104.0	5.30	1,810	0.47	M40 × 1.5	58	20	500	4.2
WBK40DFF	51.5	104.0	7.85	2,400	0.61	M40 × 1.5	58	20	500	4.7

Ballscrews

Accessories

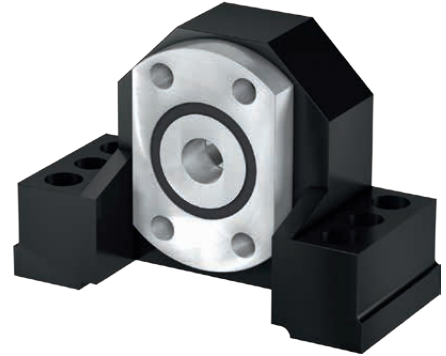
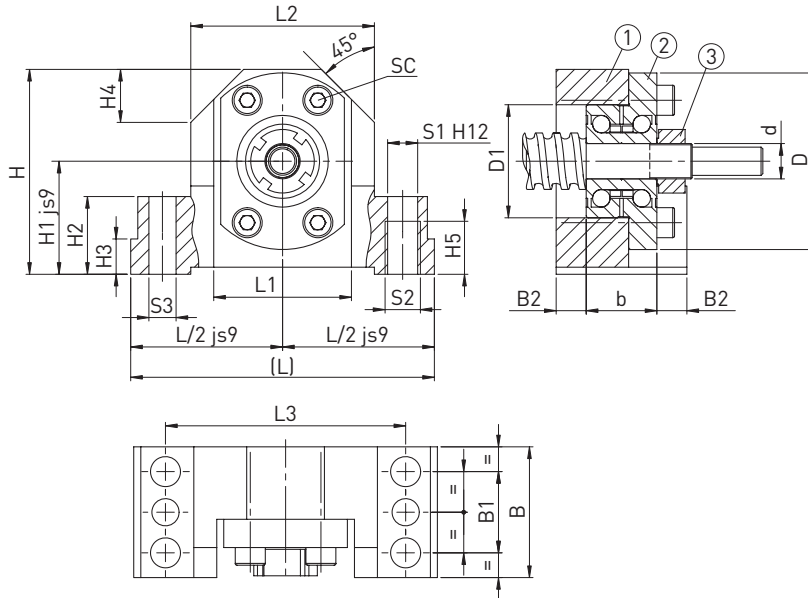
8.3 SFA/SLA bearing series

8.3.1 Fixed bearing SFA

The axis height of the fixed bearing is matched to supported bearing SLA (Section 8.3.2) and nut housing GFD (Section 8.4). The pillow block can be screwed on from above (S1) and below (S2).

The reference edge makes it easier to align the unit. The fixed bearing can be pinned with two tapered pins or cylindrical pins. The end machining suited to the fixed bearing is the S2-xx/S3-xx type (Section 8.1).

SFA06/SFA10



(1) Steel pillow block housing, (2) Bearing, (3) Lock nut

Table 8.13 Bearing unit dimensions

Article number	Shaft nominal \varnothing	L	L/2	L1	L2	L3	H	H1	H2	H3	H4	H5	d	D	D1	b
SFA06	12	62	31	34	38	50	41	22	13	5	11	9	6	30	19	12
SFA10	16	86	43	52	52	68	58	32	22	7	15	15	10	50	32	20

Unit: mm

Table 8.14 Bearing unit dimensions

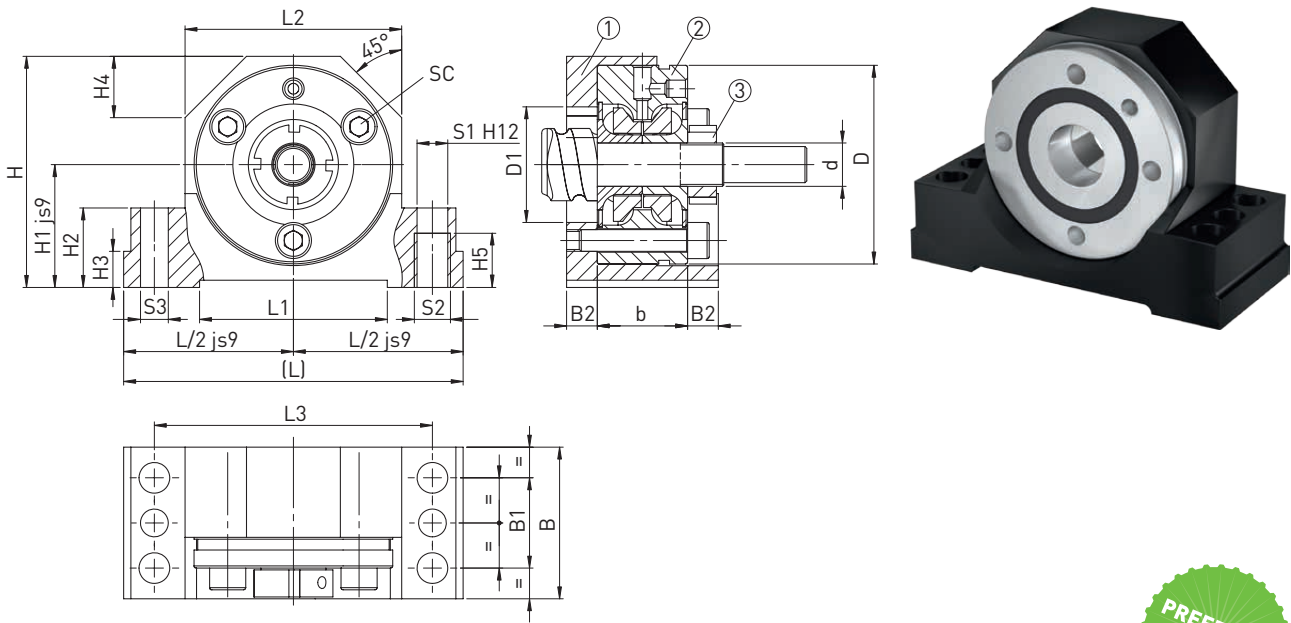
Article number	Shaft nominal \varnothing	B	B1	B2	S1	S2	S3	SC ISO 4762-10.9
SFA06	12	32	16	10.0	5.3	M6	3.7	4 × M3 × 12
SFA10	16	37	23	8.5	8.4	M10	7.7	4 × M5 × 20

Unit: mm

Table 8.15 Technical data of bearing

Article number	Bearing type	C_0 axial [N]	C_{dyn} axial [N]	Max speed [n/min]	Lock nut			
					Type	Nut tightening torque [Nm]	Screw size	Screw tightening torque [Nm]
SFA06	ZKLFA0630.2Z	6,100	4,900	14,000	HIR 06	2	M4	1
SFA10	ZKLFA1050.2RS	8,500	6,900	6,800	HIR 10	6	M4	1

SFA12 – SFA40



(1) Steel pillow block housing, (2) Bearing, (3) Lock nut

Table 8.16 Bearing unit dimensions

Article number	Shaft nominal \varnothing	L	L/2	L1	L2	L3	H	H1	H2	H3	H4	H5	d	D	D1	b
SFA12	20	94	47	52	60	77	64	34	22	7	17	15	12	55	32	25
SFA17	25	108	54	65	66	88	72	39	27	10	19	18	17	62	36	25
SFA20	32	112	56	65	73	92	78	42	27	10	20	18	20	68	42	28
SFA30	40	126	63	82	84	105	92	50	32	13	23	21	30	80	52	28
SFA40	50	146	73	82	104	125	112	60	32	13	30	21	40	100	66	34

Unit: mm

Table 8.17 Bearing unit dimensions

Article number	Shaft nominal \varnothing	B	B1	B2	S1	S2	S3	Lock nut	SC ISO 4762-10.9
SFA12	20	42	25	8.5	8.4	M10	7.7	HIR 12	3 × M6 × 35
SFA17	25	46	29	10.5	10.5	M12	9.7	HIR 17	3 × M6 × 35
SFA20	32	49	29	10.5	10.5	M12	9.7	HIR 20 × 1	4 × M6 × 40
SFA30	40	53	32	12.5	12.6	M14	9.7	HIR 30	6 × M6 × 40
SFA40	50	59	34	12.5	12.6	M14	9.7	HIR 40	4 × M8 × 50

Unit: mm

Table 8.18 Technical data of bearing

Article number	Bearing type	C_0 axial [N]	C_{dyn} axial [N]	Max speed [n/min]	Lock nut			
					Type	Nut tightening torque [Nm]	Screw size	Screw tightening torque [Nm]
SFA12	ZKLF1255.2RS-XL	24,700	18,600	3,800	HIR 12	8	M4	1
SFA17	ZKLF1762.2RS-XL	31,000	20,700	3,300	HIR 17	15	M5	3
SFA20	ZKLF2068.2RS-XL	47,000	28,500	3,000	HIR 20 × 1	18	M5	3
SFA30	ZKLF3080.2RS-XL	64,000	32,000	2,200	HIR 30	32	M6	5
SFA40	ZKLF40100.2RS-XL	101,000	47,500	1,800	HIR 40	55	M6	5

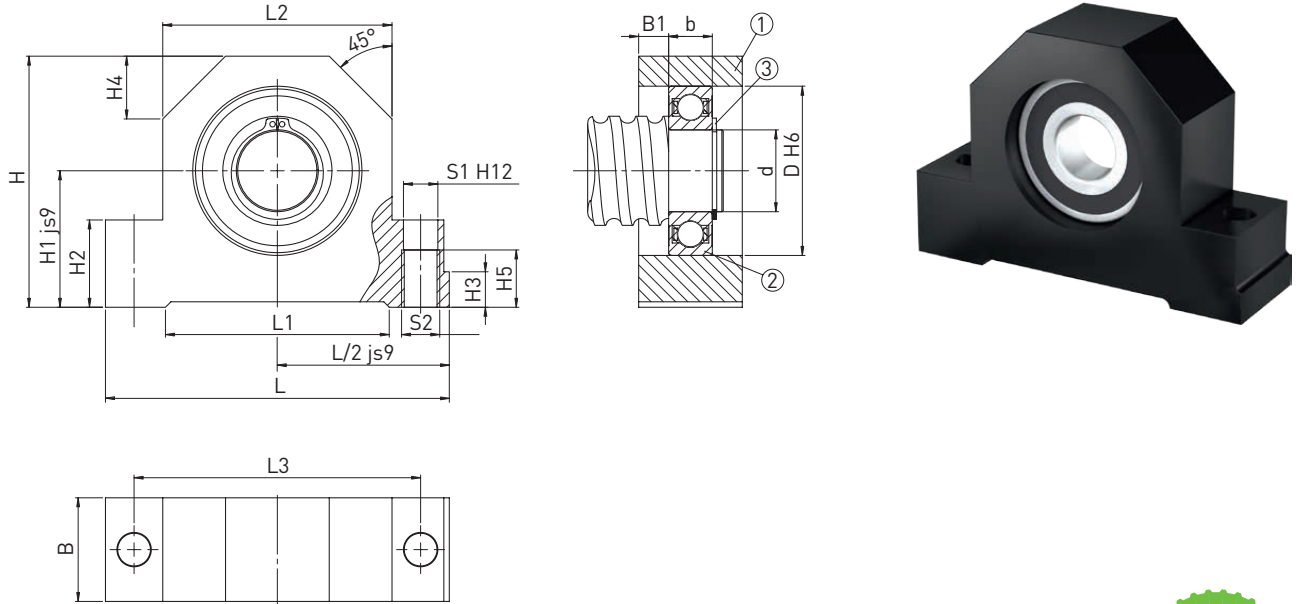
Ballscrews

Accessories

8.3.2 Supported bearing SLA

The axis height of the supported bearing is matched to fixed bearing SFA (Section 8.3.1) and nut housing GFD (Section 8.4). The pillow block can be screwed on from above (S1) and below (S2).

The reference edge makes it easier to align the unit. The end machining suited to the supported bearing is the S1-x type (Section 8.1).



(1) Steel pillow block housing, (2) Bearing, (3) Circlip



Table 8.19 Bearing unit dimensions

Article number	Shaft nominal \emptyset	L	L/2	L1	L2	L3	H	H1	H2	H3	H4	H5	b
SLA06	12	62	31	34	38	50	41	22	13	5	11	9	6
SLA10	16	86	43	52	52	68	58	32	22	7	15	15	9
SLA12	20	94	47	52	60	77	64	34	22	7	17	15	10
SLA17	25	108	54	65	66	88	72	39	27	10	19	18	12
SLA20	32	112	56	65	73	92	78	42	27	10	20	18	14
SLA30	40	126	63	82	84	105	92	50	32	13	23	21	16
SLA40	50	146	73	82	104	125	112	60	32	13	30	21	18

Unit: mm

Table 8.20 Bearing unit dimensions

Article number	Shaft nominal \emptyset	B	B1	S1	S2	d	D	Circlip DIN 471	Deep groove ball bearing DIN 625
SLA06	12	15	4.5	5.3	M6	6	19	6 × 0.7	626.2RS
SLA10	16	24	7.5	8.4	M10	10	30	10 × 1	6200.2RS
SLA12	20	26	8.0	8.4	M10	12	32	12 × 1	6201.2RS
SLA17	25	28	8.0	10.5	M12	17	40	17 × 1	6203.2RS
SLA20	32	34	10.0	10.5	M12	20	47	20 × 1.2	6204.2RS
SLA30	40	38	11.0	12.6	M14	30	62	30 × 1.5	6206.2RS
SLA40	50	44	13.0	12.6	M14	40	80	40 × 1.75	6208.2RS

Unit: mm

8.4 Housing for flange nuts (DIN 69051 Part 5)

The nut housing is suitable for assembling flange nuts DEB, DDB and FSCDIN. The axis height of the housing is matched to fixed bearing SFA (Section 8.3.1) and the supported bearing SLA (Section 8.3.2).

The housing can be screwed on from above (S1) and below (S2). The housing can be pinned with two tapered pins or cylindrical pins. Screws of strength class 8.8 should be used for the fastening.

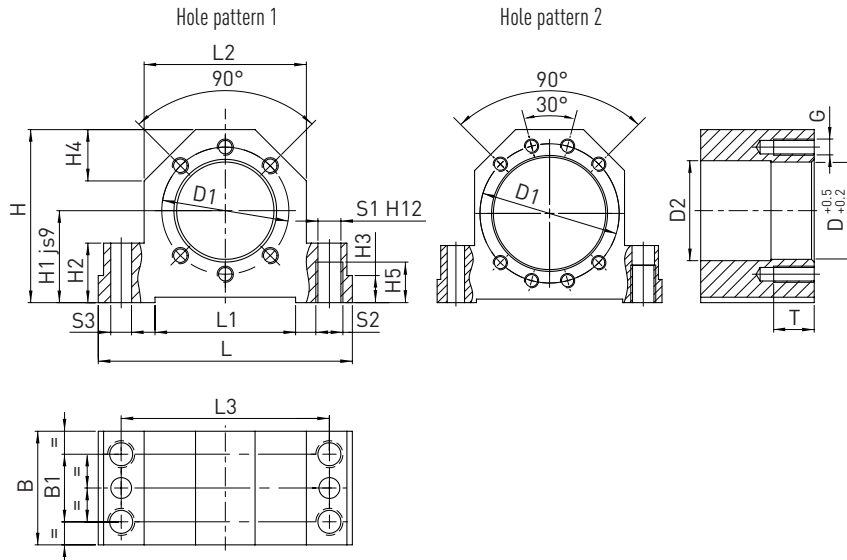


Table 8.21 Housing dimensions

Article number	Shaft nominal \varnothing	L	L1	L2	L3	H	H1	H2	H3	H4	H5
GFD16	16	86	52	52	68	58	32	22	7	15	15
GFD20	20	94	52	60	77	64	34	22	7	17	15
GFD25	25	108	65	66	88	72	39	27	10	19	18
GFD32	32	112	65	72	92	82	42	27	10	19	18
GFD40	40	126	82	84	105	97	50	32	13	23	21
GFD50	50	146	82	104	125	115	60	32	13	30	21

Unit: mm

Table 8.22 Housing dimensions

Article number	Shaft nominal \varnothing	D	D1	D2	B	B1	S1	S2	S3	Hole pattern	G	T
GFD16	16	28	38	29	37	23	8.4	M10	7.7	1	M5	12
GFD20	20	36	47	37	42	25	8.4	M10	7.7	1	M6	15
GFD25	25	40	51	41	46	29	10.5	M12	9.7	1	M6	15
GFD32	32	50	65	51	49	29	10.5	M12	9.7	1	M8	20
GFD40	40	63	78	64	53	32	12.6	M14	9.7	2	M8	20
GFD50	50	75	93	76	59	34	12.6	M14	9.7	2	M10	25

Unit: mm

Ballscrews

Accessories

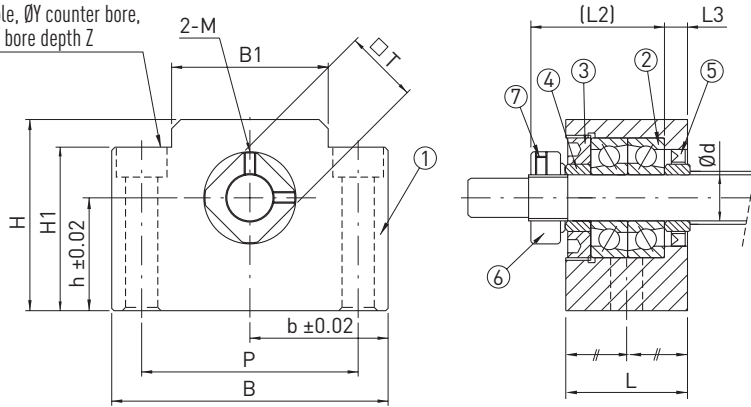
8.5 EK/EF bearing series

8.5.1 Fixed bearing EK

The axis height of the fixed bearing is matched to supported bearing EF (Section 8.5.2).

The end machining suited to fixed bearing EK is the E8-xx type (Section 8.1).

2- \emptyset X hole, \emptyset Y counter bore, counter bore depth Z



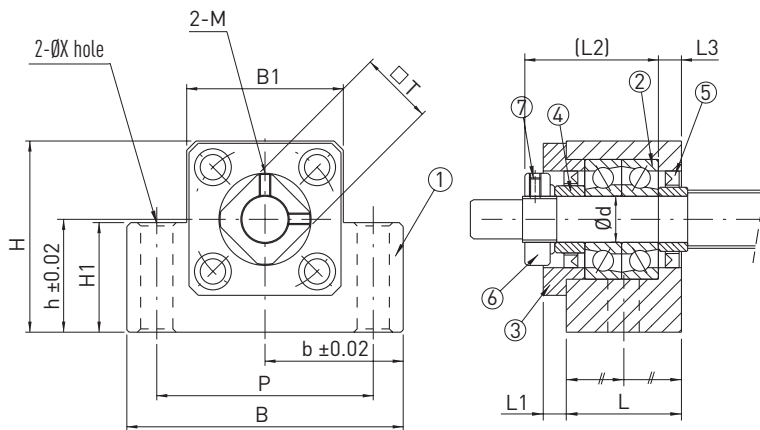
(1) Housing, (2) Bearing, (3) Retaining cover, (4) Support ring, (5) Seal, (6) Clamping nut, (7) Allen set screw



Table 8.23 Bearing unit dimensions

Article number	Shaft nominal \emptyset	d	L	L2	L3	B	H	b	h	B1	H1	P	X	Y	Z	M	T
EK08	12	8	23	26	4	52	32	26	17	25	26	38	6.6	11	12	M3	14

Unit: mm



(1) Housing, (2) Bearing, (3) Retaining cover, (4) Support ring, (5) Seal, (6) Clamping nut, (7) Allen set screw



Table 8.24 Bearing unit dimensions

Article number	Shaft nominal \emptyset	d	L	L1	L2	L3	B	H	b	h	B1	H1	P	X	M	T
EK10	16	10	24	6	29.5	6	70	43	35.0	25	36	24	52	9	M3	16
EK12	16 ¹⁾	12	24	6	29.5	6	70	43	35.0	25	36	24	52	9	M4	19
EK15	20	15	25	6	36.0	5	80	49	40.0	30	41	25	60	11	M4	22
EK20	25	20	42	10	50.0	10	95	58	47.5	30	56	25	75	11	M4	30

Unit: mm

¹⁾ Depending on actual shaft outer diameter $d_{s\min} = 15.5$

Table 8.25 **Technical data of bearing**

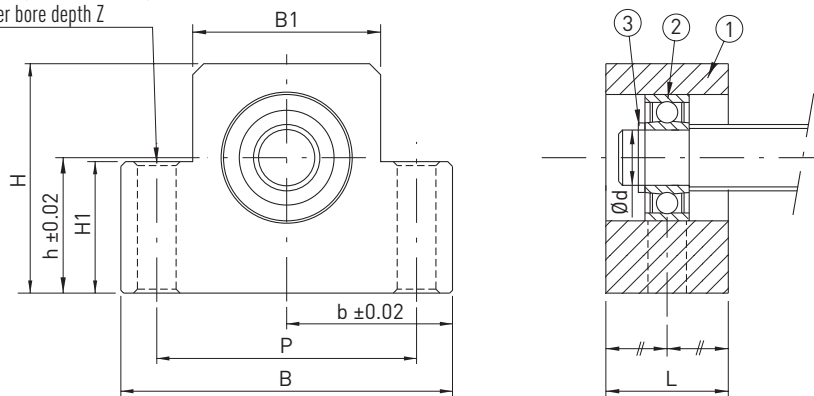
Article number	Bearing type	C ₀ axial [N]	C _{dyn} axial [N]	Max permissible axial load [N]	Max speed [n/min]	Lock nut			
						Type	Nut tightening torque [Nm]	Screw size	Screw tightening torque [Nm]
EK08	708	4,800	2,800	1,100	40,000	RN8	2.5	M3	0.6
EK10	7000A P0	8,800	5,200	2,000	24,000	RN10	2.9	M3	0.6
EK12	7001A P0	9,400	6,000	2,200	22,000	RN12	6.4	M4	1.5
EK15	7002A P0	10,000	6,900	2,400	19,000	RN15	7.9	M4	1.5
EK20	7204B P0	21,600	15,200	6,800	9,500	RN20	16.7	M4	1.5

8.5.2 Supported bearing EF

The axis height of the supported bearing is matched to fixed bearing EK (Section 8.5.1).

The end machining suited to supported bearing EF is the E10-xx type (Section 8.1).

2-∅X hole, ∅Y counter bore, counter bore depth Z



(1) Housing, (2) Bearing, (3) Circlip



Table 8.26 **Bearing unit dimensions**

Article number	Shaft nominal ∅	d	L	B	H	b	h	B1	H1	P	X	Y	Z	Bearing	Circlip
EF08	12	6	14	52	32	26.0	17	25	26	38	6.6	11	12	606ZZ	S 06
EF10	16	8	20	70	43	35.0	25	36	24	52	9.0	—	—	608ZZ	S 08
EF12	16 ¹⁾	10	20	70	43	35.0	25	36	24	52	9.0	—	—	6000ZZ	S 10
EF15	20	15	20	80	49	40.0	30	41	25	60	9.0	—	—	6002ZZ	S 15
EF20	25	20	26	95	58	47.5	30	56	25	75	11.0	—	—	6204ZZ	S 20

Unit: mm

¹⁾ Depending on actual shaft outer diameter $d_{s \min} = 15.5$

Ballscrews

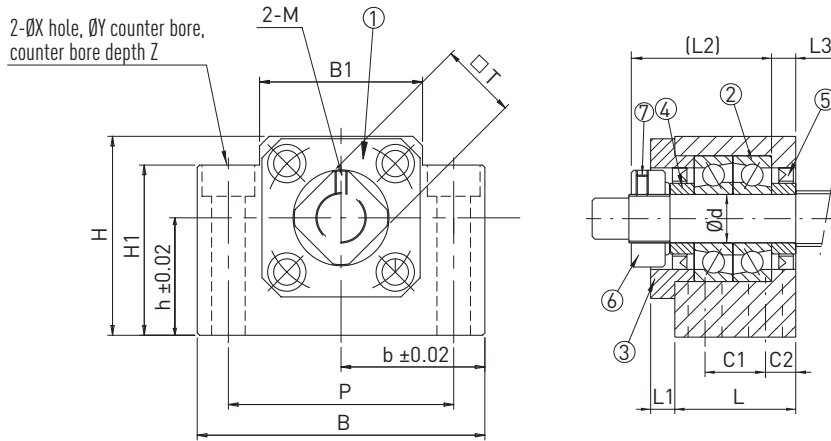
Accessories

8.6 BK/BF bearing series

8.6.1 Fixed bearing BK

The axis height of the fixed bearing is matched to supported bearing BF (Section 8.6.2).

The end machining suited to fixed bearing BK is the E9-xx type (Section 8.1).



(1) Housing, (2) Bearing, (3) Retaining cover, (4) Support ring, (5) Seal, (6) Clamping nut, (7) Allen set screw



Table 8.27 Bearing unit dimensions

Article number	Shaft nominal Ø	d	L	L1	L2	L3	B	H	b	h
BK25	32	25	42	12	54	9	106	80	53	48
BK30	40	30	45	14	61	9	128	89	64	51
BK40	50	40	61	18	76	15	160	110	80	60

Unit: mm

Table 8.28 Bearing unit dimensions

Article number	Shaft nominal Ø	B1	H1	P	C1	C2	X	Y	Z	M	T
BK25	32	64	70	85	22	10	11	17	11.0	M6	35
BK30	40	76	78	102	23	11	14	20	13.0	M6	40
BK40	50	100	90	130	33	14	18	26	17.5	M6	50

Unit: mm

Table 8.29 Technical data of bearing

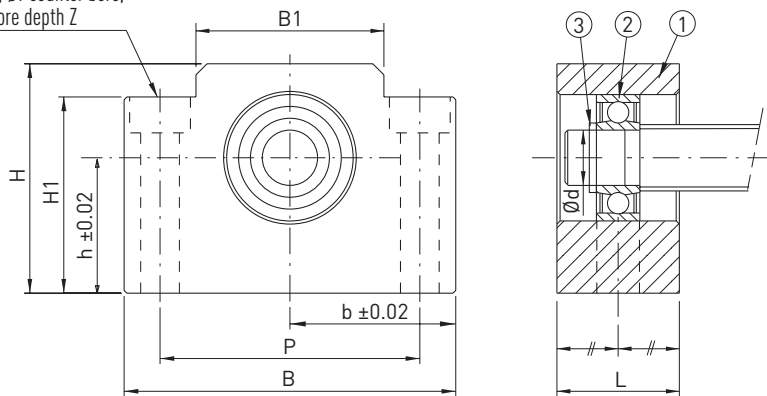
Article number	Bearing type	C ₀ axial [N]	C _{dyn} axial [N]	Max permissible axial load [N]	Max speed [n/min]	Lock nut			
						Type	Nut tightening torque [Nm]	Screw size	Screw tightening torque [Nm]
BK25	7205A P0	26,300	20,500	7,000	12,000	RN25	21	M6	5
BK30	7206B P0	33,500	27,000	10,600	7,100	RN30	31	M6	5
BK40	7208B P0	52,000	46,100	18,000	5,300	RN40	71	M6	5

8.6.2 Supported bearing BF

The axis height of the supported bearing is matched to fixed bearing BK (Section 8.6.1).

The end machining suited to supported bearing BF is the E10-xx type (Section 8.1).

2- \emptyset X hole, \emptyset Y counter bore,
counter bore depth Z



(1) Housing, (2) Bearing, (3) Circlip

Table 8.30 Bearing unit dimensions

Article number	Shaft nominal \emptyset	d	L	B	H	b	h	B1	H1	P	X	Y	Z	Bearing	Circlip
BF25	32	25	30	106	80	53	48	64	70	85	11	17	11.0	6205ZZ	S 25
BF30	40	30	32	128	89	64	51	76	78	102	14	20	13.0	6206ZZ	S 30
BF40	50	40	37	160	110	80	60	100	90	130	18	26	17.5	6208ZZ	S 40

Unit: mm

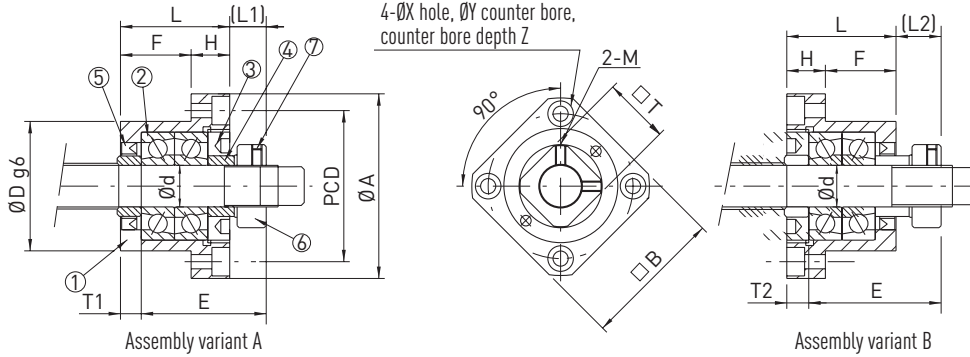
Ballscrews

Accessories

8.7 FK/FF bearing series

8.7.1 Fixed bearing FK

The associated supporting bearing unit is the FF bearing series (Section 8.7.2). The end machining suited to fixed bearing FK is the E8-xx type (Section 8.1).



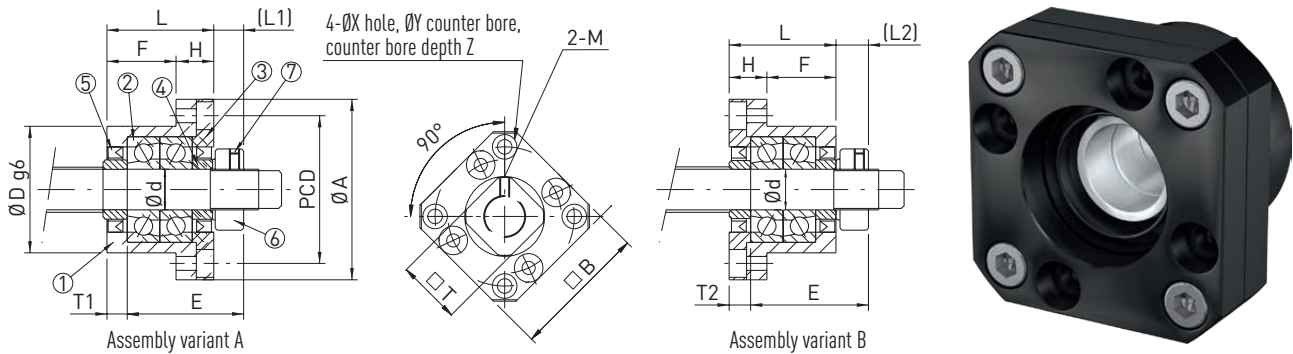
(1) Housing, (2) Bearing, (3) Retaining cover, (4) Support ring, (5) Seal, (6) Clamping nut, (7) Allen set screw



Table 8.31 Bearing unit dimensions

Article number	Shaft nominal \varnothing	d	L	H	F	E	D	A	PCD	B	Assembly variant A		Assembly variant B		X	Y	Z	M	T
											L1	T1	L2	T2					
FK08	12	8	23	9	14	26	28	43	35	35	7	4	8	5	3.4	6.5	4	M3	14

Unit: mm



(1) Housing, (2) Bearing, (3) Retaining cover, (4) Support ring, (5) Seal, (6) Clamping nut, (7) Allen set screw



Table 8.32 Bearing unit dimensions

Article number	Shaft nominal \emptyset	d	L	H	F	E	D	A	PCD	B	Assembly variant A		Assembly variant B		X	Y	Z	M	T
											L1	T1	L2	T2					
FK10	16	10	27	10	17	29.5	34	52	42	42	7.5	5	8.5	6	4.5	8.0	5	M3	16
FK12	16 ¹⁾	12	27	10	17	29.5	36	54	44	44	7.5	5	8.5	6	4.5	8.0	5	M4	19
FK15	20	15	32	15	17	36.0	40	63	50	52	10.0	6	12.0	8	5.5	9.5	6	M4	22
FK20	25	20	52	22	30	50.0	57	85	70	68	8.0	10	12.0	14	6.6	11.0	10	M4	30
FK25	32	25	57	27	30	60.0	63	98	80	79	13.0	10	20.0	17	9.0	15.0	13	M6	35
FK30	40	30	62	30	32	61.0	75	117	95	93	11.0	12	17.0	18	11.0	17.5	15	M6	40

Unit: mm

¹⁾ Depending on actual shaft outer diameter $d_{s\min} = 15.5$

Table 8.33 Technical data of bearing

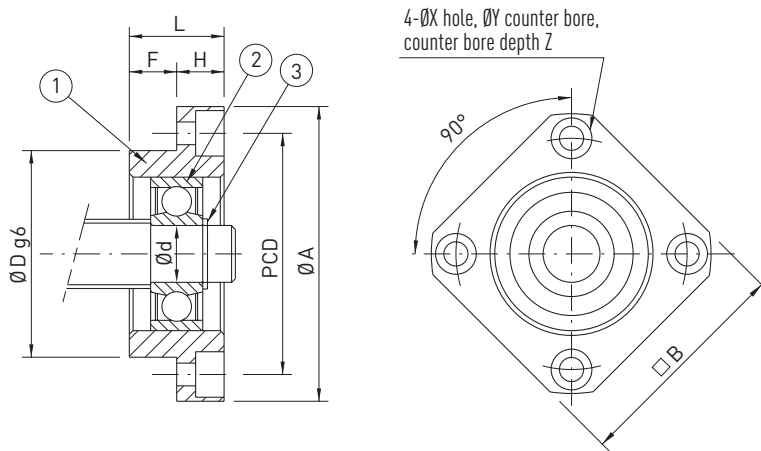
Article number	Bearing type	C_0 axial [N]	C_{dyn} axial [N]	Max permissible axial load [N]	Max speed [n/min]	Lock nut			
						Type	Nut tightening torque [Nm]	Screw size	Screw tightening torque [Nm]
FK08	708	4,800	2,800	1,000	40,000	RN8	2.5	M3	0.6
FK10	7000A P0	8,800	5,200	1,900	24,000	RN10	2.9	M3	0.6
FK12	7001A P0	9,400	6,000	2,200	22,000	RN12	6.4	M4	1.5
FK15	7002A P0	10,000	6,900	2,400	19,000	RN15	7.9	M4	1.5
FK20	7204B P0	21,600	15,300	6,800	9,500	RN20	16.7	M4	1.5
FK25	7205B P0	24,000	19,000	8,100	8,500	RN25	20.6	M6	4.9
FK30	7206B P0	33,500	27,000	10,600	7,100	RN30	31.4	M6	4.9

Ballscrews

Accessories

8.7.2 Supported bearing FF

The associated fixed bearing unit is the FK bearing series (Section 8.7.1). The end machining suited to supported bearing FF is the E10-xx type (Section 8.1).



(1) Housing, (2) Bearing, (3) Circlip

Table 8.34 Bearing unit dimensions

Article number	Shaft nominal Ø	d	L	H	F	D	A	PCD	B	X	Y	Z	Bearing	Circlip
FF10	16	8	12	7	5	28	43	35	35	3.4	6.5	4.0	608ZZ	S 08
FF12	16 ¹⁾	10	15	7	8	34	52	42	42	4.5	8.0	4.0	6000ZZ	S 10
FF15	20	15	17	9	8	40	63	50	52	5.5	9.5	5.5	6002ZZ	S 15
FF20	25	20	20	11	9	57	85	70	68	6.6	11.0	6.5	6204ZZ	S 20
FF25	32	25	24	14	10	63	98	80	79	9.0	14.0	8.5	6205ZZ	S 25
FF30	40	30	27	18	9	75	117	95	93	11.0	17.0	11.0	6206ZZ	S 30

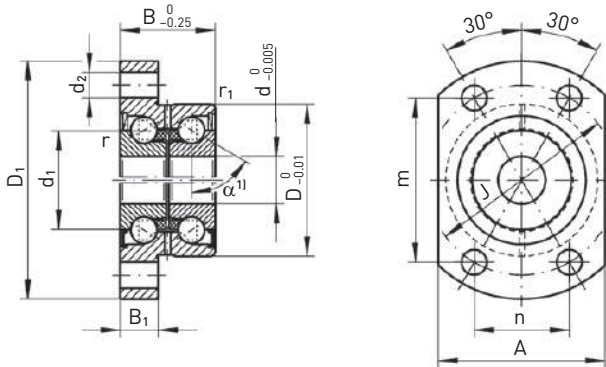
Unit: mm

¹⁾ Depending on actual shaft outer diameter $d_{s, \min} = 15.5$

8.8 Axial angular contact ball bearing

8.8.1 Angular contact ball bearing ZKLFA

- Double-row angular contact ball bearing in 0 arrangement with 60° contact angle
- Outer ring suitable for flange mounting
- Split inner ring with defined gap for matching of preload
- Lubricated for life for most applications



Housing and shaft tolerances:

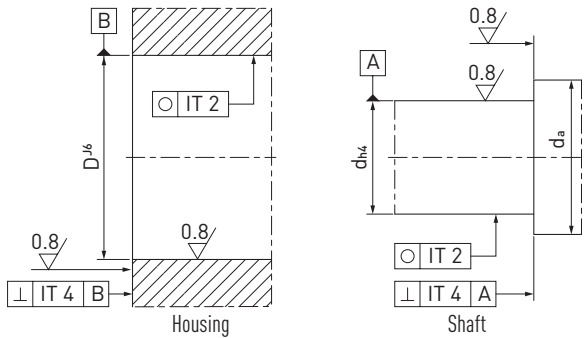


Table 8.35 Dimensions and connecting dimensions for angular ball bearing unit ZKLFA

Article number	Shaft diameter [mm]	Weight [kg]	Dimensions [mm]											Connecting dimensions [mm]			
			d	D	B	D ₁	B ₁	J	d ₂	m	n	A	d ₁	r _{min}	r _{1 min}	d _{a max}	d _{a min}
ZKLFA0630.2Z	6	0.05	6	19	12	30	5	24	3.5	21.0	12.0	22	12	0.3	0.3	15	9
ZKLFA0640.2RS	6	0.08	6	24	15	40	6	32	4.5	27.5	16.0	27	14	0.3	0.6	18	9
ZKLFA0640.2Z	6	0.08	6	24	15	40	6	32	4.5	27.5	16.0	27	14	0.3	0.6	18	9
ZKLFA0850.2RS	8	0.17	8	32	20	50	8	40	5.5	34.5	20.0	35	19	0.3	0.6	25	11
ZKLFA0850.2Z	8	0.17	8	32	20	50	8	40	5.5	34.5	20.0	35	19	0.3	0.6	25	11
ZKLFA1050.2RS	10	0.18	10	32	20	50	8	40	5.5	34.5	20.0	35	21	0.3	0.6	27	14
ZKLFA1050.2Z	10	0.18	10	32	20	50	8	40	5.5	34.5	20.0	35	21	0.3	0.6	27	14
ZKLFA1263.2RS	12	0.30	12	42	25	63	10	53	6.8	46.0	26.5	45	25	0.3	0.6	31	16
ZKLFA1263.2Z	12	0.30	12	42	25	63	10	53	6.8	46.0	26.5	45	25	0.3	0.6	31	16
ZKLFA1563.2RS	15	0.31	15	42	25	63	10	53	6.8	46.0	26.5	45	28	0.3	0.6	34	20
ZKLFA1563.2Z	15	0.31	15	42	25	63	10	53	6.8	46.0	26.5	45	28	0.3	0.6	34	20

The ball cages are made from plastic, permissible operating temperature 120 °C (continuous operation)

¹⁾ Contact angle $\alpha = 60^\circ$

Ballscrews

Accessories

Table 8.36 Technical data of angular ball bearing unit ZKLFA

Article number	Shaft diameter [mm]	Mounting bolts DIN912 10.9 ¹⁾		Axial load ratings		Limit speed	Bearing friction torque ²⁾	Axial rigidity	Resistance to tilting	Recommended lock nut ¹⁾	Tightening torque ¹⁾
			Number n × t	C _{dyn} [N]	C ₀ [N]						
ZKLFA0630.2Z	6	M3	4	4,900	6,100	14,000	0.01	150	4	HIR06	2
ZKLFA0640.2RS	6	M4	4	6,900	8,500	6,800	0.04	200	8	HIR06	2
ZKLFA0640.2Z	6	M4	4	6,900	8,500	12,000	0.02	200	8	HIR06	2
ZKLFA0850.2RS	8	M5	4	12,500	16,300	5,100	0.08	250	20	HIR08	4
ZKLFA0850.2Z	8	M5	4	12,500	16,300	9,500	0.04	250	20	HIR08	4
ZKLFA1050.2RS	10	M5	4	13,400	18,800	4,600	0.12	325	25	HIR10	6
ZKLFA1050.2Z	10	M5	4	13,400	18,800	8,600	0.06	325	25	HIR10	6
ZKLFA1263.2RS	12	M6	4	16,900	24,700	3,800	0.16	375	50	HIR12	8
ZKLFA1263.2Z	12	M6	4	16,900	24,700	7,600	0.08	375	50	HIR12	8
ZKLFA1563.2RS	15	M6	4	17,900	28,000	3,500	0.20	400	65	HIR15	10
ZKLFA1563.2Z	15	M6	4	17,900	28,000	7,000	0.10	400	65	HIR15	10

The ball cages are made from plastic, permissible operating temperature 120 °C (continuous operation)

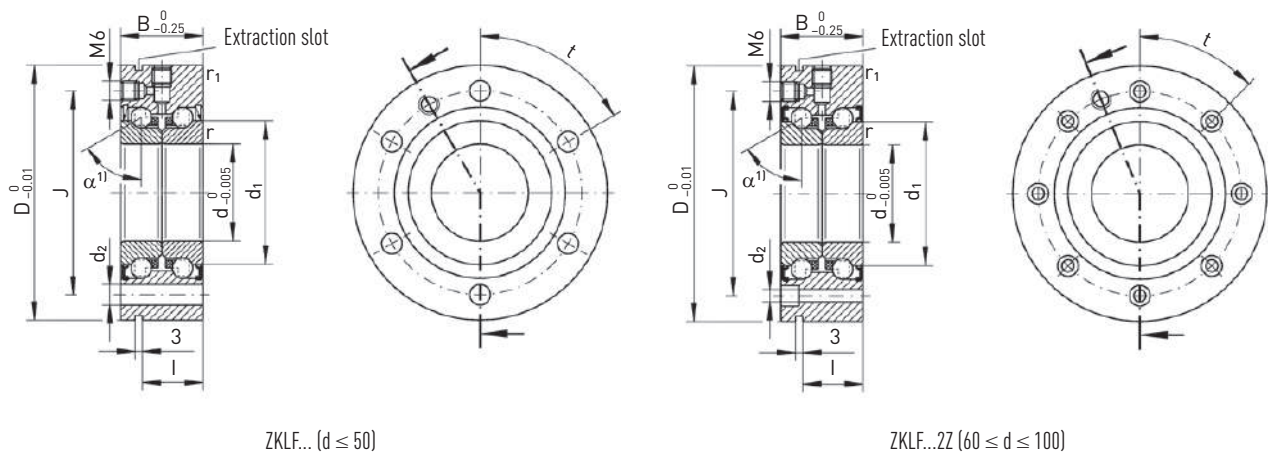
¹⁾ Tightening torque of mounting bolts according to details from manufacturer

Screws according to DIN 912 are not supplied

²⁾ Bearing friction torque with gap seal (.2Z). With contact seal (.2RS) $\approx 2 \times M_{RL}$

8.8.2 Angular contact ball bearing ZKLF

- Double-row angular contact ball bearing in O arrangement with 60° contact angle
- Outer ring suitable for flange mounting
- Split inner ring with defined gap for matching of preload
- Lubricated for life for most applications
- Circumferential extraction slot at the outside surface of the outer ring
- Radial and axial lubrication hole M6 each with allen set screw



The ball cages are made from plastic, permissible operating temperature 120 °C (continuous operation)

¹⁾ Contact angle $\alpha = 60^\circ$

Housing and shaft tolerances ZKLF...2RS/...ZZ

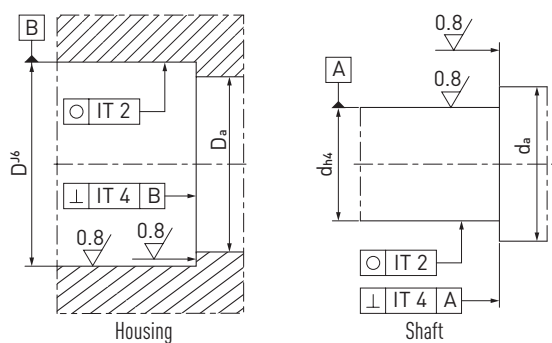


Table 8.37 Dimensions and connecting dimensions for angular ball bearing unit ZKLF

Article number	Shaft diameter [mm]	Weight [kg]	Dimensions [mm]									Connecting dimensions [mm]	
			d	D	B	J	d ₂	l	d ₁	r _{min}	r _{1 min}	D _{a max} ¹⁾	d _{a min} ¹⁾
ZKLF1255.2Z-XL	12	0.37	12	55	25	42	6.8	17	25.0	0.3	0.6	33	16
ZKLF1255.2RS-XL	12	0.37	12	55	25	42	6.8	17	25.0	0.3	0.6	33	16
ZKLF1560.2Z-XL	15	0.43	15	60	25	46	6.8	17	28.0	0.3	0.6	35	20
ZKLF1560.2RS-XL	15	0.43	15	60	25	46	6.8	17	28.0	0.3	0.6	35	20
ZKLF1762.2Z-XL	17	0.45	17	62	25	48	6.8	17	30.0	0.3	0.6	37	23
ZKLF1762.2RS-XL	17	0.45	17	62	25	48	6.8	17	30.0	0.3	0.6	37	23
ZKLF2068.2Z-XL	20	0.61	20	68	28	53	6.8	19	34.5	0.3	0.6	43	25
ZKLF2068.2RS-XL	20	0.61	20	68	28	53	6.8	19	34.5	0.3	0.6	43	25
ZKLF2575.2Z-XL	25	0.72	25	75	28	58	6.8	19	40.5	0.3	0.6	48	32
ZKLF2575.2RS-XL	25	0.72	25	75	28	58	6.8	19	40.5	0.3	0.6	48	32
ZKLF3080.2Z-XL	30	0.78	30	80	28	63	6.8	19	45.5	0.3	0.6	53	40
ZKLF3080.2RS-XL	30	0.78	30	80	28	63	6.8	19	45.5	0.3	0.6	53	40
ZKLF30100.2Z-XL	30	1.63	30	100	38	80	8.8	30	51.0	0.3	0.6	64	47
ZKLF30100.2RS-XL	30	1.63	30	100	38	80	8.8	30	51.0	0.3	0.6	64	47
ZKLF3590.2Z-XL	35	1.13	35	90	34	75	8.8	25	52.0	0.3	0.6	62	45
ZKLF3590.2RS-XL	35	1.13	35	90	34	75	8.8	25	52.0	0.3	0.6	62	45
ZKLF40100.2Z-XL	40	1.46	40	100	34	80	8.8	25	58.0	0.3	0.6	67	50
ZKLF40100.2RS-XL	40	1.46	40	100	34	80	8.8	25	58.0	0.3	0.6	67	50
ZKLF40115.2Z-XL	40	2.20	40	115	46	94	8.8	36	65.0	0.6	0.6	80	56
ZKLF40115.2RS-XL	40	2.20	40	115	46	94	8.8	36	65.0	0.6	0.6	80	56
ZKLF50115.2Z-XL	50	1.86	50	115	34	94	8.8	25	72.0	0.3	0.6	82	63
ZKLF50115.2RS-XL	50	1.86	50	115	34	94	8.8	25	72.0	0.3	0.6	82	63
ZKLF50140.2Z-XL	50	4.70	50	140	54	113	11.0	45	80.0	0.6	0.6	98	63
ZKLF50140.2RS-XL	50	4.70	50	140	54	113	11.0	45	80.0	0.6	0.6	98	63
ZKLF60145.2Z-XL	60	4.30	60	145	45	120	8.8	35	85.0	0.6	0.6	100	82
ZKLF70155.2Z-XL	70	4.90	70	155	45	130	8.8	35	95.0	0.6	0.6	110	92
ZKLF80165.2Z-XL	80	5.30	80	165	45	140	8.8	35	105.0	0.6	0.6	120	102
ZKLF90190.2Z-XL	90	8.70	90	190	55	165	11.0	45	120.0	0.6	0.6	138	116
ZKLF100200.2Z-XL	100	9.30	100	200	55	175	11.0	45	132.0	0.6	0.6	150	128

The ball cages are made from plastic, permissible operating temperature 120 °C (continuous operation)

¹⁾ Recommended diameter of installation surface

.ZZ = Gap seal

.2RS = Contact seal

Ballscrews

Accessories

Table 8.38 Technical data of angular ball bearing unit ZKLF

Article number	Shaft diameter [mm]	Mounting bolts DIN912 10.9 ¹⁾		Axial load ratings		Limit speed	Bearing friction torque ²⁾	Axial rigidity	Resistance to tilting	Recommended lock nut ¹⁾	Tightening torque ¹⁾
		Quantity n × t	C _{dyn} [N]	C ₀ [N]	Grease [rpm]	M _{RL} [Nm]	C _{aL} [N/μm]	C _{kL} [Nm/mrad]	Article number	M _A [Nm]	
ZKLF1255.2Z-XL	12	M6	3 × 120°	18,600	24,700	7,600	0.08	375	50	HIR12	8
ZKLF1255.2RS-XL	12	M6	3 × 120°	18,600	24,700	3,800	0.16	375	50	HIR12	8
ZKLF1560.2Z-XL	15	M6	3 × 120°	19,600	28,000	7,000	0.10	400	65	HIR15	10
ZKLF1560.2RS-XL	15	M6	3 × 120°	19,600	28,000	3,500	0.20	400	65	HIR15	10
ZKLF1762.2Z-XL	17	M6	3 × 120°	20,700	31,000	6,600	0.12	450	80	HIR17/HIA17	15
ZKLF1762.2RS-XL	17	M6	3 × 120°	20,700	31,000	3,300	0.24	450	80	HIR17/HIA17	15
ZKLF2068.2Z-XL	20	M6	4 × 90°	28,500	47,000	5,400	0.15	650	140	HIR20/HIA20	18
ZKLF2068.2RS-XL	20	M6	4 × 90°	28,500	47,000	3,000	0.30	650	140	HIR20/HIA20	18
ZKLF2575.2Z-XL	25	M6	4 × 90°	30,500	55,000	4,700	0.20	750	200	HIR25/HIA25	25
ZKLF2575.2RS-XL	25	M6	4 × 90°	30,500	55,000	2,600	0.40	750	200	HIR25/HIA25	25
ZKLF3080.2Z-XL	30	M6	6 × 60°	32,000	64,000	4,300	0.25	850	300	HIR30/HIA30	32
ZKLF3080.2RS-XL	30	M6	6 × 60°	32,000	64,000	2,200	0.50	850	300	HIR30/HIA30	32
ZKLF30100.2Z-XL	30	M8	8 × 45°	65,000	108,000	4,000	0.40	950	400	HIA30	65
ZKLF30100.2RS-XL	30	M8	8 × 45°	65,000	108,000	2,100	0.80	950	400	HIA30	65
ZKLF3590.2Z-XL	35	M8	4 × 90°	45,000	89,000	3,800	0.30	900	400	HIR35/HIA35	40
ZKLF3590.2RS-XL	35	M8	4 × 90°	45,000	89,000	2,000	0.60	900	400	HIR35/HIA35	40
ZKLF40100.2Z-XL	40	M8	4 × 90°	47,500	101,000	3,300	0.35	1,000	550	HIR40/HIA40	55
ZKLF40100.2RS-XL	40	M8	4 × 90°	47,500	101,000	1,800	0.70	1,000	550	HIR40/HIA40	55
ZKLF40115.2Z-XL	40	M8	12 × 30°	79,000	149,000	3,100	0.65	1,200	750	HIA40	110
ZKLF40115.2RS-XL	40	M8	12 × 30°	79,000	149,000	1,600	1.30	1,200	750	HIA40	110
ZKLF50115.2Z-XL	50	M8	6 × 60°	51,000	126,000	3,000	0.45	1,250	1,000	HIR50/HIA50	85
ZKLF50115.2RS-XL	50	M8	6 × 60°	51,000	126,000	1,500	0.90	1,250	1,000	HIR50/HIA50	85
ZKLF50140.2Z-XL	50	M10	12 × 30°	125,000	250,000	2,500	1.30	1,400	1,500	HIA50	150
ZKLF50140.2RS-XL	50	M10	12 × 30°	125,000	250,000	1,200	2.60	1,400	1,500	HIA50	150
ZKLF60145.2Z-XL	60	M8	8 × 45°	93,000	214,000	3,000	1.00	1,300	1,650	HIR60/HIA60	100
ZKLF70155.2Z-XL	70	M8	8 × 45°	97,000	241,000	2,800	1.20	1,450	2,250	HIR70/HIA70	130
ZKLF80165.2Z-XL	80	M8	8 × 45°	100,000	265,000	2,700	1.40	1,600	3,000	HIR80/HIA80	160
ZKLF90190.2Z-XL	90	M10	8 × 45°	149,000	395,000	2,300	2.30	1,700	4,400	HIA90	200
ZKLF100200.2Z-XL	100	M10	8 × 45°	154,000	435,000	2,150	2.60	1,900	5,800	HIA100	250

The ball cages are made from plastic, permissible operating temperature 120 °C (continuous operation)

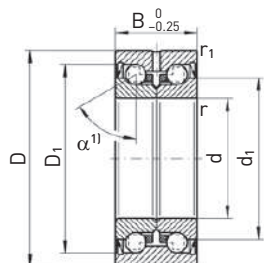
¹⁾ Tightening torque of mounting bolts according to details from manufacturer.

Screws according to DIN 912 are not supplied

²⁾ Bearing friction torque with gap seal (.2Z). With contact seal (.2RS) ≈ 2 × M_{RL}

8.8.3 Angular contact ball bearing ZKLN

- Angular contact ball bearing with 60° contact angle
- Split inner ring with defined gap for matching of preload
- High limiting speeds, even with grease lubrication
- Lubricated for life for most applications
- Lubrication groove and three lubrication holes at the outside surface of the outer ring



Acting on two sides
Series ZKLN...2RS, ZKLN...ZZ

Housing and shaft tolerances ZKLN...2RS/...ZZ

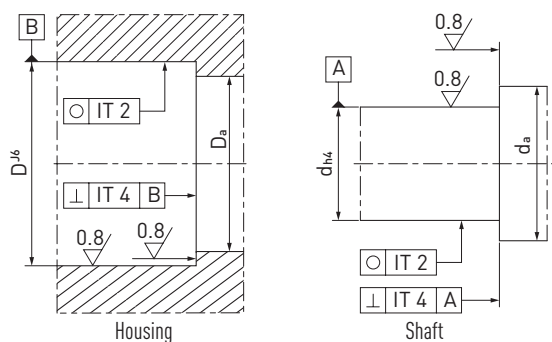


Table 8.39 Dimensions and connecting dimensions for angular ball bearing unit ZKLN

Article number	Shaft diameter [mm]	Weight [kg]	Dimensions [mm]							Connecting dimensions [mm]	
			d ²⁾	D ³⁾	B	r _{min}	r _{1 min}	d ₁	D ₁	D _{a max} ⁴⁾	d _{a min} ⁴⁾
ZKLN0619.2Z-XL	6	0.02	6	19	12	0.3	0.3	12.0	16.5	16	9
ZKLN0624.2RS-XL	6	0.03	6	24	15	0.3	0.6	14.0	19.5	19	9
ZKLN0624.2Z-XL	6	0.03	6	24	15	0.3	0.6	14.0	19.5	19	9
ZKLN0832.2RS-XL	8	0.09	8	32	20	0.3	0.6	19.0	26.5	26	11
ZKLN0832.2Z-XL	8	0.09	8	32	20	0.3	0.6	19.0	26.5	26	11
ZKLN1034.2RS-XL	10	0.10	10	34	20	0.3	0.6	21.0	28.5	28	14
ZKLN1034.2Z-XL	10	0.10	10	34	20	0.3	0.6	21.0	28.5	28	14
ZKLN1242.2RS-XL	12	0.20	12	42	25	0.3	0.6	25.0	33.5	33	16
ZKLN1242.2Z-XL	12	0.20	12	42	25	0.3	0.6	25.0	33.5	33	16
ZKLN1545.2RS-XL	15	0.21	15	45	25	0.3	0.6	28.0	36.0	35	20
ZKLN1545.2Z-XL	15	0.21	15	45	25	0.3	0.6	28.0	36.0	35	20
ZKLN1747.2RS-XL	17	0.22	17	47	25	0.3	0.6	30.0	38.0	37	23
ZKLN1747.2Z-XL	17	0.22	17	47	25	0.3	0.6	30.0	38.0	37	23

The ball cages are made from plastic, permissible operating temperature 120 °C (continuous operation)

¹⁾ Contact angle $\alpha = 60^\circ$

²⁾ Hole diameter tolerance as of $d = 6 \text{ mm}: D_{-0.003}^{+0.002}$; $d = 10 - 50 \text{ mm}: D_{-0.005}^0$; $d = 60 - 100 \text{ mm}: D_{-0.008}^0$

³⁾ Outer diameter tolerance as of $d = 6 - 50 \text{ mm}: d_{-0.01}^0$; $d = 60 - 100 \text{ mm}: d_{-0.015}^0$

⁴⁾ Recommended diameter of installation surface

.ZZ = Gap seal

.2RS = Contact seal

Ballscrews

Accessories

Table 8.39 Dimensions and connecting dimensions for angular ball bearing unit ZKLN – continuation

Article number	Shaft diameter [mm]	Weight [kg]	Dimensions [mm]							Connecting dimensions [mm]	
			d ²⁾	D ³⁾	B	r _{min}	r _{1 min}	d ₁	D ₁	D _{a max} ⁴⁾	d _{a min} ⁴⁾
ZKLN2052.2RS-XL	20	0.31	20	52	28	0.3	0.6	34.5	44	43	25
ZKLN2052.ZZ-XL	20	0.31	20	52	28	0.3	0.6	34.5	44	43	25
ZKLN2557.2RS-XL	25	0.34	25	57	28	0.3	0.6	40.5	49	48	32
ZKLN2557.ZZ-XL	25	0.34	25	57	28	0.3	0.6	40.5	49	48	32
ZKLN3062.2RS-XL	30	0.39	30	62	28	0.3	0.6	45.5	54	53	40
ZKLN3062.ZZ-XL	30	0.39	30	62	28	0.3	0.6	45.5	54	53	40
ZKLN3072.2RS-XL	30	0.72	30	72	38	0.3	0.6	51.0	65	64	47
ZKLN3072.ZZ-XL	30	0.72	30	72	38	0.3	0.6	51.0	65	64	47
ZKLN3572.2RS-XL	35	0.51	35	72	34	0.3	0.6	52.0	63	62	45
ZKLN3572.ZZ-XL	35	0.51	35	72	34	0.3	0.6	52.0	63	62	45
ZKLN4075.2RS-XL	40	0.61	40	75	34	0.3	0.6	58.0	68	67	50
ZKLN4075.ZZ-XL	40	0.61	40	75	34	0.3	0.6	58.0	68	67	50
ZKLN4090.2RS-XL	40	0.95	40	90	46	0.6	0.6	65.0	80	80	56
ZKLN4090.ZZ-XL	40	0.95	40	90	46	0.6	0.6	65.0	80	80	56
ZKLN5090.2RS-XL	50	0.88	50	90	34	0.3	0.6	72.0	82	82	63
ZKLN5090.ZZ-XL	50	0.88	50	90	34	0.3	0.6	72.0	82	82	63
ZKLN50110.2RS-XL	50	2.50	50	110	54	0.6	0.6	80.0	98	98	63
ZKLN50110.ZZ-XL	50	2.50	50	110	54	0.6	0.6	80.0	98	98	63
ZKLN60110.ZZ-XL	60	2.20	60	110	45	0.6	0.6	85.0	100	100	82
ZKLN70120.ZZ-XL	70	2.40	70	120	45	0.6	0.6	95.0	110	110	92
ZKLN80130.ZZ-XL	80	2.70	80	130	45	0.6	0.6	105.0	120	120	102
ZKLN90150.ZZ-XL	90	4.50	90	150	55	0.6	0.6	120.0	138	138	116
ZKLN100160.ZZ-XL	100	4.90	100	160	55	0.6	0.6	132.0	150	150	128

The ball cages are made from plastic, permissible operating temperature 120 °C (continuous operation)

¹⁾ Contact angle $\alpha = 60^\circ$

²⁾ Hole diameter tolerance as of $d = 6 \text{ mm}$: $d_{-0.003}^0$; $d = 10 - 50 \text{ mm}$: $d_{-0.005}^0$; $d = 60 - 100 \text{ mm}$: $d_{-0.008}^0$

³⁾ Outer diameter tolerance as of $d = 6 - 50 \text{ mm}$: $D_{-0.01}^0$; $d = 60 - 100 \text{ mm}$: $D_{-0.015}^0$

⁴⁾ Recommended diameter of installation surface

.ZZ = Gap seal

.2RS = Contact seal

Table 8.40 Technical data of angular ball bearing unit ZKLN

Article number	Shaft diameter [mm]	Axial load ratings		Limit speed	Bearing friction torque ¹⁾	Axial rigidity	Resistance to tilting	Recommended lock nut ²⁾	Tightening torque ²⁾
		C _{dyn} [N]	C ₀ [N]	Grease [rpm]	M _{RL} [Nm]	C _{aL} [N/μm]	C _{kL} [Nm/mrad]	Article number	M _A [Nm]
ZKLN0619.2Z-XL	6	5,400	6,100	14,000	0.01	150	4	HIR6	1
ZKLN0624.2RS-XL	6	7,600	8,500	6,800	0.04	200	8	HIR6	2
ZKLN0624.2Z-XL	6	7,600	8,500	12,000	0.02	200	8	HIR6	2
ZKLN0832.2RS-XL	8	13,800	16,300	5,100	0.08	250	20	HIR8	4
ZKLN0832.2Z-XL	8	13,800	16,300	9,500	0.04	250	20	HIR8	4
ZKLN1034.2RS-XL	10	14,700	18,800	4,600	0.12	325	25	HIR10	6
ZKLN1034.2Z-XL	10	14,700	18,800	8,600	0.06	325	25	HIR10	6
ZKLN1242.2RS-XL	12	18,600	24,700	3,800	0.16	375	50	HIR12	8
ZKLN1242.2Z-XL	12	18,600	24,700	7,600	0.08	375	50	HIR12	8
ZKLN1545.2RS-XL	15	19,600	28,000	3,500	0.20	400	65	HIR15	10
ZKLN1545.2Z-XL	15	19,600	28,000	7,000	0.10	400	65	HIR15	10
ZKLN1747.2RS-XL	17	20,700	31,000	3,300	0.24	450	80	HIR17/HIA17	15
ZKLN1747.2Z-XL	17	20,700	31,000	6,600	0.12	450	80	HIR17/HIA17	15
ZKLN2052.2RS-XL	20	28,500	47,000	3,000	0.30	650	140	HIR20/HIA20	18
ZKLN2052.2Z-XL	20	28,500	47,000	5,400	0.15	650	140	HIR20/HIA20	18
ZKLN2557.2RS-XL	25	30,500	55,000	2,600	0.40	750	200	HIR25/HIA25	25
ZKLN2557.2Z-XL	25	30,500	55,000	4,700	0.20	750	200	HIR25/HIA25	25
ZKLN3062.2RS-XL	30	32,000	64,000	2,200	0.50	850	300	HIR30/HIA30	32
ZKLN3062.2Z-XL	30	32,000	64,000	4,300	0.25	850	300	HIR30/HIA30	32
ZKLN3072.2RS-XL	30	65,000	108,000	2,100	0.80	950	400	HIA30	65
ZKLN3072.2Z-XL	30	65,000	108,000	4,000	0.40	950	400	HIA30	65
ZKLN3572.2RS-XL	35	45,000	89,000	2,000	0.60	900	400	HIR35/HIA35	40
ZKLN3572.2Z-XL	35	45,000	89,000	3,800	0.30	900	400	HIR35/HIA35	40
ZKLN4075.2RS-XL	40	47,500	101,000	1,800	0.70	1,000	550	HIR40/HIA40	55
ZKLN4075.2Z-XL	40	47,500	101,000	3,300	0.35	1,000	550	HIR40/HIA40	55
ZKLN4090.2RS-XL	40	79,000	149,000	1,600	1.30	1,200	750	HIA40	110
ZKLN4090.2Z-XL	40	79,000	149,000	3,100	0.65	1,200	750	HIA40	110
ZKLN5090.2RS-XL	50	51,000	126,000	1,500	0.90	1,250	1,000	HIR50/HIA50	85
ZKLN5090.2Z-XL	50	51,000	126,000	3,000	0.45	1,250	1,000	HIR50/HIA50	85
ZKLN50110.2RS-XL	50	125,000	250,000	1,200	2.6	1,400	1,500	HIA50	150
ZKLN50110.2Z-XL	50	125,000	250,000	2,500	1.3	1,400	1,500	HIA50	150
ZKLN60110.2Z-XL	60	93,000	214,000	3,000	1.0	1,300	1,650	HIR60/HIA60	100
ZKLN70120.2Z-XL	70	97,000	241,000	2,800	1.2	1,450	2,250	HIR70/HIA70	130
ZKLN80130.2Z-XL	80	100,000	265,000	2,700	1.4	1,600	3,000	HIR80/HIA80	160
ZKLN90150.2Z-XL	90	149,000	395,000	2,300	2.3	1,700	4,400	HIR90/HIA90	200
ZKLN100160.2Z-XL	100	154,000	435,000	2,150	2.6	1,900	5,800	HIR100/HIA100	250

¹⁾ Bearing friction torque with gap seal (.2Z). With seal disc (.2RS) = 2 × M_{RL}
²⁾ Lock nuts are not supplied; please order separately!

Ballscrews

Accessories

8.9 HIR lock nuts – radial clamping

Type

- Right-hand thread
- Left-hand thread on request.
- The thread and plane surface are produced in a single clamping process
- Thread quality 4H
- HIR lock nuts can be used several times if used correctly

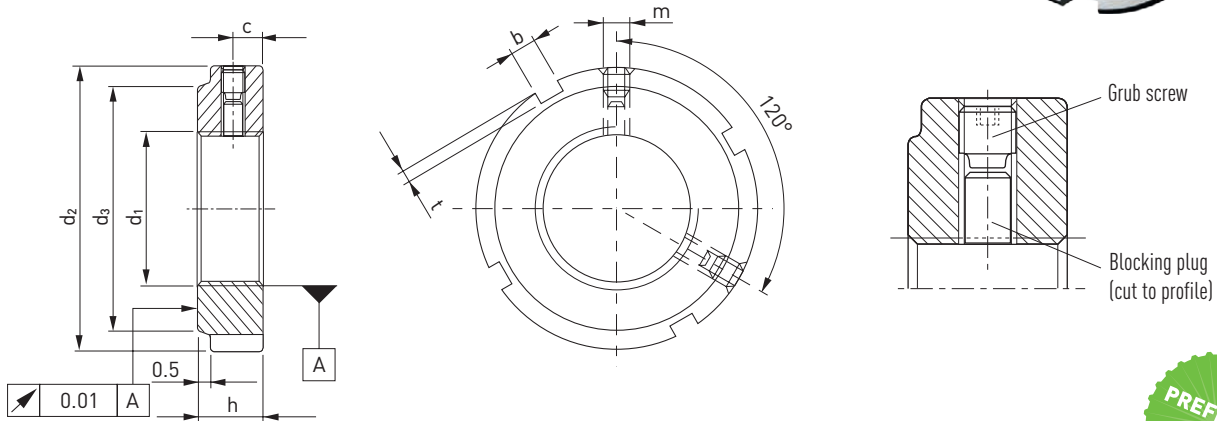


Table 8.41 Dimensions of lock nut HIR

Article number	Thread d_1	d_2	h	b	t	d_3	c	m
HIR06	M6 × 0.5	16	8	3	2.0	11	4	M4
HIR08	M8 × 0.75	16	8	3	2.0	11	4	M4
HIR10	M10 × 0.75	18	8	3	2.0	13	4	M4
HIR12	M12 × 1	22	8	3	2.0	18	4	M4
HIR15	M15 × 1	25	8	3	2.0	21	4	M4
HIR17	M17 × 1	28	10	4	2.0	23	5	M5
HIR20 × 1	M20 × 1	32	10	4	2.0	27	5	M5
HIR20 × 1.5	M20 × 1.5	32	10	4	2.0	27	5	M5
HIR25	M25 × 1.5	38	12	5	2.0	33	6	M6
HIR30	M30 × 1.5	45	12	5	2.0	40	6	M6
HIR35	M35 × 1.5	52	12	5	2.0	47	6	M6
HIR40	M40 × 1.5	58	14	6	2.5	52	7	M6
HIR45	M45 × 1.5	65	14	6	2.5	59	7	M6
HIR50	M50 × 1.5	70	14	6	2.5	64	7	M6
HIR55	M55 × 2	75	16	7	3.0	68	8	M6
HIR60	M60 × 2	80	16	7	3.0	73	8	M6
HIR65	M65 × 2	85	16	7	3.0	78	8	M6
HIR70	M70 × 2	92	18	8	3.5	85	9	M8
HIR75	M75 × 2	98	18	8	3.5	90	9	M8
HIR80	M80 × 2	105	18	8	3.5	95	9	M8
HIR85	M85 × 2	110	18	8	3.5	102	9	M8
HIR90	M90 × 2	120	20	10	4.0	108	10	M8
HIR95	M95 × 2	125	20	10	4.0	113	10	M8
HIR100	M100 × 2	130	20	10	4.0	120	10	M8

Unit: mm

8.10 HIA lock nuts – axial clamping

Type

- Right-hand thread
- Left-hand thread on request
- The thread and plane surface are produced in a single clamping process
- Thread quality 4H
- HIA lock nuts can be used several times if used correctly

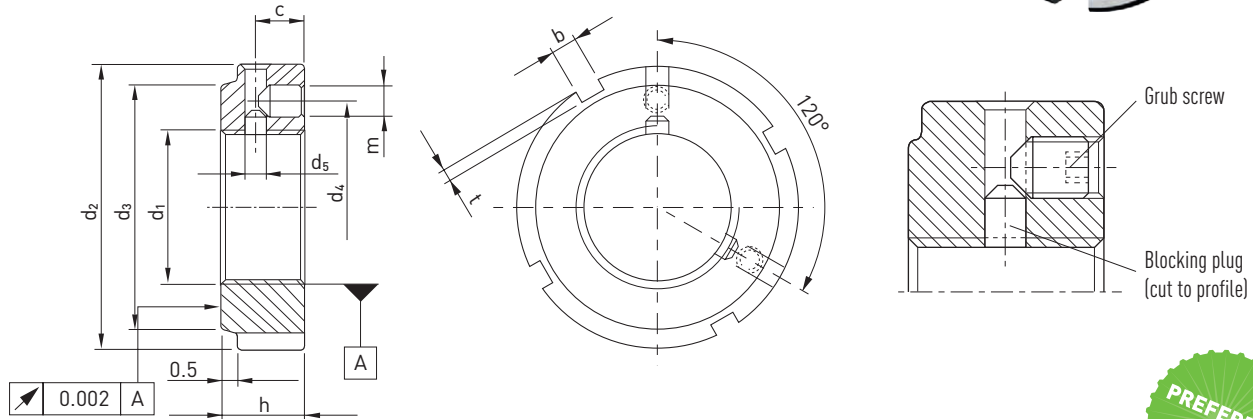


Table 8.42 Dimensions of lock nuts HIA

Article number	Thread d_1	d_2	h	b	t	d_3	d_4	m
HIA17	M17 × 1	28	16	4	2.0	23	22.5	M4
HIA20 × 1	M20 × 1	32	16	4	2.0	27	26.0	M4
HIA20 × 1.5	M20 × 1.5	32	16	4	2.0	27	26.0	M4
HIA25	M25 × 1.5	38	18	5	2.0	33	31.5	M5
HIA30	M30 × 1.5	45	18	5	2.0	40	37.5	M5
HIA35	M35 × 1.5	52	18	5	2.0	47	43.5	M5
HIA40	M40 × 1.5	58	20	6	2.5	52	49.0	M6
HIA45	M45 × 1.5	65	20	6	2.5	59	55.0	M6
HIA50	M50 × 1.5	70	20	6	2.5	64	60.0	M6
HIA55	M55 × 2	75	22	7	3.0	68	65.0	M6
HIA60	M60 × 2	80	22	7	3.0	73	70.0	M6
HIA65	M65 × 2	85	22	7	3.0	78	75.0	M6
HIA70	M70 × 2	92	24	8	3.5	85	81.0	M8
HIA75	M75 × 2	98	24	8	3.5	90	87.0	M8
HIA80	M80 × 2	105	24	8	3.5	95	93.0	M8
HIA85	M85 × 2	110	24	8	3.5	102	98.0	M8
HIA90	M90 × 2	120	26	10	4.0	108	105.0	M8
HIA95	M95 × 2	125	26	10	4.0	113	110.0	M8
HIA100	M100 × 2	130	26	10	4.0	120	115.0	M8

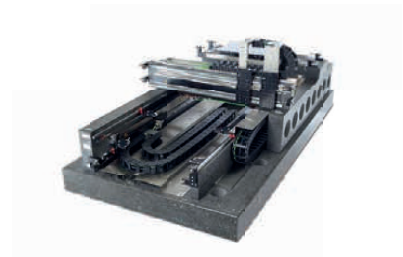
Unit: mm



Linear Guideways



Ballscrews



Linear Motor Systems



Linear Axes



Linear Actuators



Robots



Linear Motor Components



Rotary Tables



Drives & Servo Motors

Germany

HIWIN GmbH
Brücklesbünd 2
D-77654 Offenburg
Phone +49 (0) 7 81 9 32 78 - 0
Fax +49 (0) 7 81 9 32 78 - 90
info@hiwin.de
www.hiwin.de

Taiwan

Headquarters
HIWIN Technologies Corp.
No. 7, Jingke Road
Taichung Precision Machinery Park
Taichung 40852, Taiwan
Phone +886-4-2359-4510
Fax +886-4-2359-4420
business@hiwin.tw
www.hiwin.tw

Taiwan

Headquarters
HIWIN Mikrosystem Corp.
No. 6, Jingke Central Road
Taichung Precision Machinery Park
Taichung 40852, Taiwan
Phone +886-4-2355-0110
Fax +886-4-2355-0123
business@hiwinmikro.tw
www.hiwinmikro.tw

France

HIWIN France s.a.r.l.
20 Rue du Vieux Bourg
F-61370 Echauffour
Phone +33 (2) 33 34 11 15
Fax +33 (2) 33 34 73 79
info@hiwin.fr
www.hiwin.fr

Italy

HIWIN Srl
Via Pitagora 4
I-20861 Brugherio (MB)
Phone +39 039 287 61 68
Fax +39 039 287 43 73
info@hiwin.it
www.hiwin.it

Poland

HIWIN GmbH
ul. Puławska 405a
PL-02-801 Warszawa
Phone +48 22 544 07 07
Fax +48 22 544 07 08
info@hiwin.pl
www.hiwin.pl

Switzerland

HIWIN Schweiz GmbH
Eichwiesstrasse 20
CH-8645 Jona
Phone +41 (0) 55 225 00 25
Fax +41 (0) 55 225 00 20
info@hiwin.ch
www.hiwin.ch

Slovakia

HIWIN s.r.o., o.z.z.o.
Mládežnícka 2101
SK-01701 Považská Bystrica
Phone +421 424 43 47 77
Fax +421 424 26 23 06
info@hiwin.sk
www.hiwin.sk

Czechia

HIWIN s.r.o.
Medkova 888/11
CZ-62700 BRNO
Phone +42 05 48 528 238
Fax +42 05 48 220 223
info@hiwin.cz
www.hiwin.cz

Netherlands

HIWIN GmbH
info@hiwin.nl
www.hiwin.nl

Austria

HIWIN GmbH
info@hiwin.at
www.hiwin.at

Slovenia

HIWIN GmbH
info@hiwin.si
www.hiwin.si

Hungary

HIWIN GmbH
info@hiwin.hu
www.hiwin.hu

China

HIWIN Corp.
www.hiwin.cn

Japan

HIWIN Corp.
mail@hiwin.co.jp
www.hiwin.co.jp

USA

HIWIN Corp.
info@hiwin.com
www.hiwin.com

Korea

HIWIN Corp.
www.hiwin.kr

Singapore

HIWIN Corp.
www.hiwin.sg



Colagens no local

As nossas equipas deslocam-se a qualquer ponto do país para a colagem e reparação de tapetes transportadores, garantindo a minimização dos tempos de paragem.



Serviço 24H

Estamos Do Seu Lado Nos Momentos De Maior Risco Produtivo, Para Reduzir Ao Mínimo Os Tempos De Inactividade. Contratos À Medida Das Suas Necessidades.



Cálculos de transmissão

Para que cada cliente tenha sempre uma transmissão optimizada às suas necessidades. Trabalhamos com as mais avançadas tecnologias e componentes.



Formação

Em parceria com as nossas principais marcas representadas, realizamos acções de formação junto dos nossos clientes e em instituições de ensino superior, por técnicos altamente qualificados e especializados.



Projectos

A equipa técnica da JUNCOR desenvolve projectos completos e integrados nas áreas de Transmissão e Transporte.



Recondicionamento

Serviço de reparação e recondicionamento de Motorreductores e Redutores Industriais Siemens Flender e de outras marcas.



Portal B2B

A JUNCOR disponível 24h por dia, 365 dias por ano. Consulta de stocks, orçamentos e encomendas, à distância de um clique.

Contactos

Balcão Vendas - Porto (Sede): Tel.: 22 619 73 62 - vendasporto@juncor.pt

Balcão Vendas - Montijo (Filial): Tel.: 221 230 60 30 - vendaslisboa@juncor.pt

Rolamentos, Chumaceiras e Técnica Linear: Tel.: 22 619 73 63 - rolamentos@juncor.pt

Contacto Geral (Sede): Tel.: 22 619 73 60 - juncor@juncor.pt

Redes Sociais



www.juncor.pt



[facebook/juncor](https://facebook.com/juncor)



twitter.com/juncor_sa



linkedin.com/company/juncor-sa



youtube.com/juncoraccess

Ref.º F40-082017