



Juncor 



SCHAEFFLER



FAG

**Tampas de Protecção
para Guilas Lineares
(EN)**



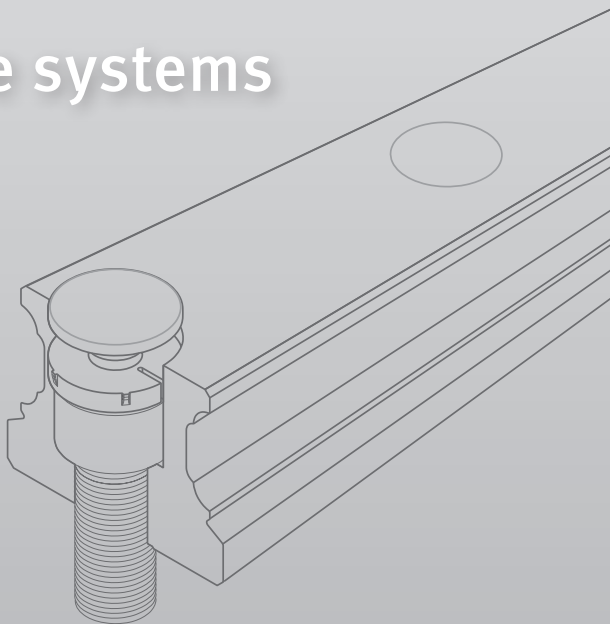
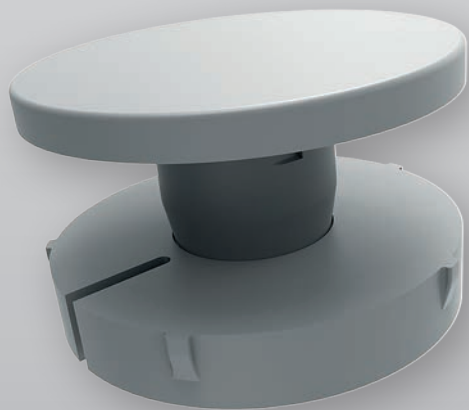
Rolling bearings

Plain bearings

Linear technology

KA-TN/B

Closing plugs for
monorail guidance systems



SCHAEFFLER

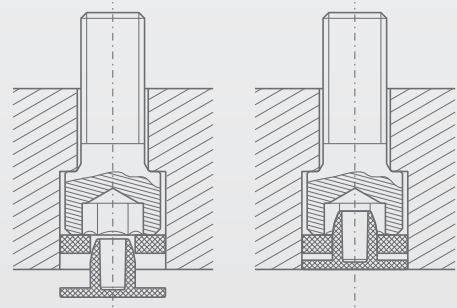
Insert, drive in, and the job is done.

The patented KA-TN/B closing plug is inserted into the holes in the profiled guide rail and subsequently driven in until it is flush with the surface using a plastic pressing-in block and a rubber mallet.

There is a predetermined breaking point between the clinch ring and the closing plug, which breaks when the plug is driven in, while the guided pin in the clinch ring prevents tilting.

The clinch ring holds the plug securely in the bore in every rail position. The plugs can therefore be inserted one by one into the profiled guide rail and then driven in until they are flush with the surface in a single working step. Mounting times are thus significantly shortened.

The new KA-TN/B closing plugs are available for INA monorail guidance systems.



*Inserted
closing plug*

*Driven-in
closing plug*

The advantages at a glance

- Considerably easier mounting process, especially in the case of wall and overhead mounting
- Secure positioning in the bore
- Reduced number of parts



1976 - 2019

www.juncor.pt

PORTAL B2B:

- Compras online
- Orçamento na hora
- Esclarecimento de dúvidas: Preços e Stocks
- Encomendas
- Licitação
- Descontos
- Eficiência e Segurança

Redes sociais

Facebook: www.facebook.com/juncor

Twitter: www.twitter.com/juncor_sa

LinkedIn: www.linkedin.com/company/juncor-sa

Instagram: www.instagram.com/juncor_sa

Pinterest: www.pinterest.pt/juncorsa

Canal Youtube: www.youtube.com/juncoraccess

“Adicionamos movimento ao seu negócio!”