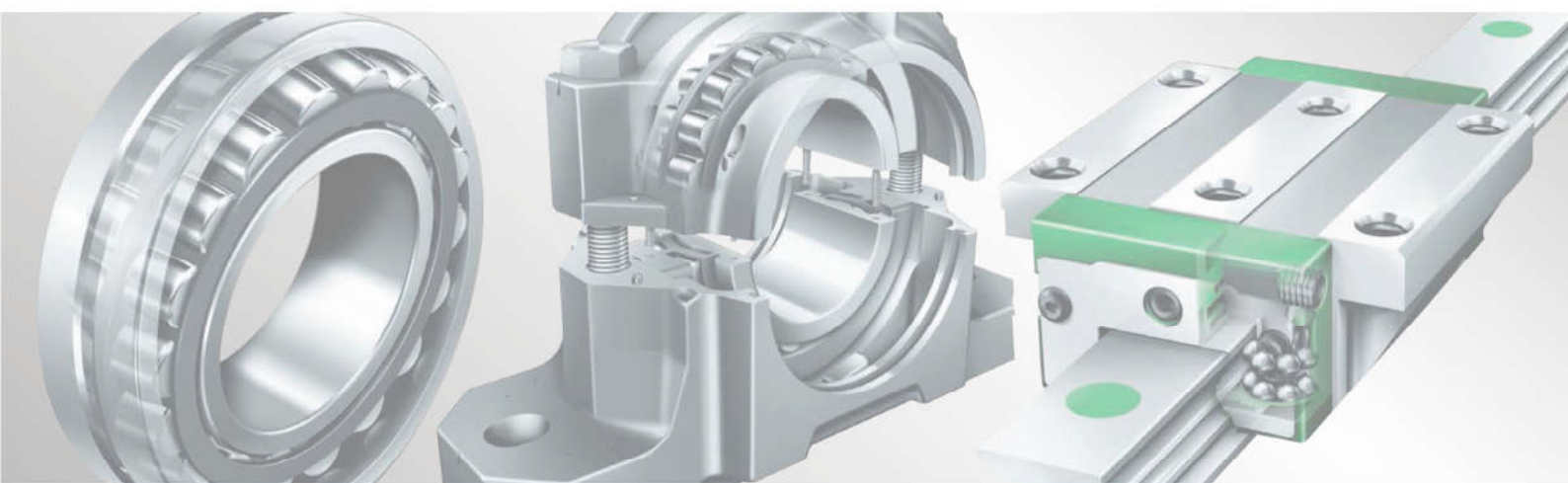
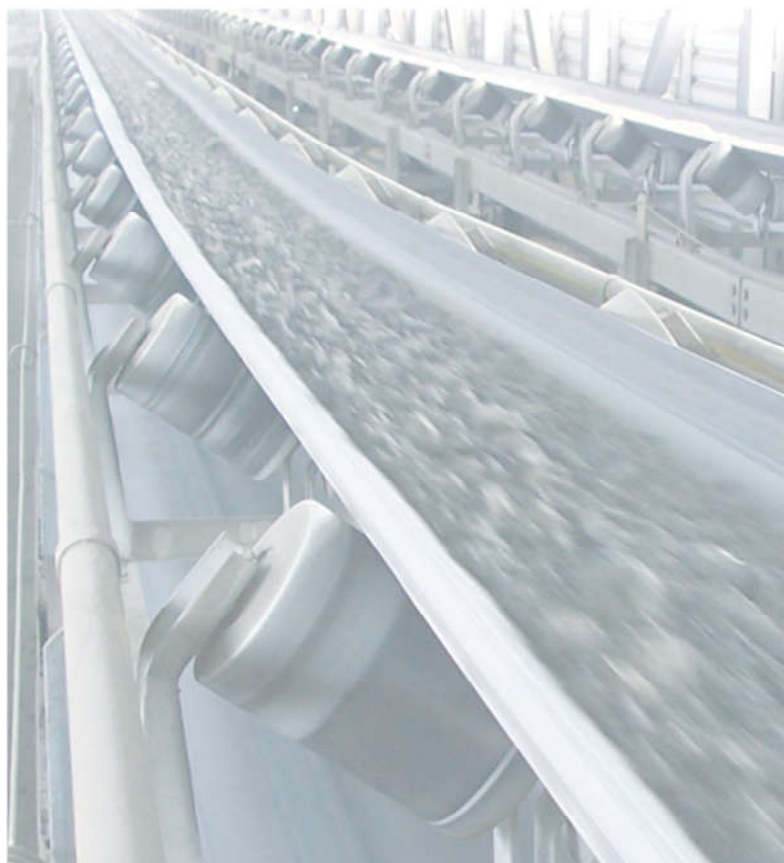


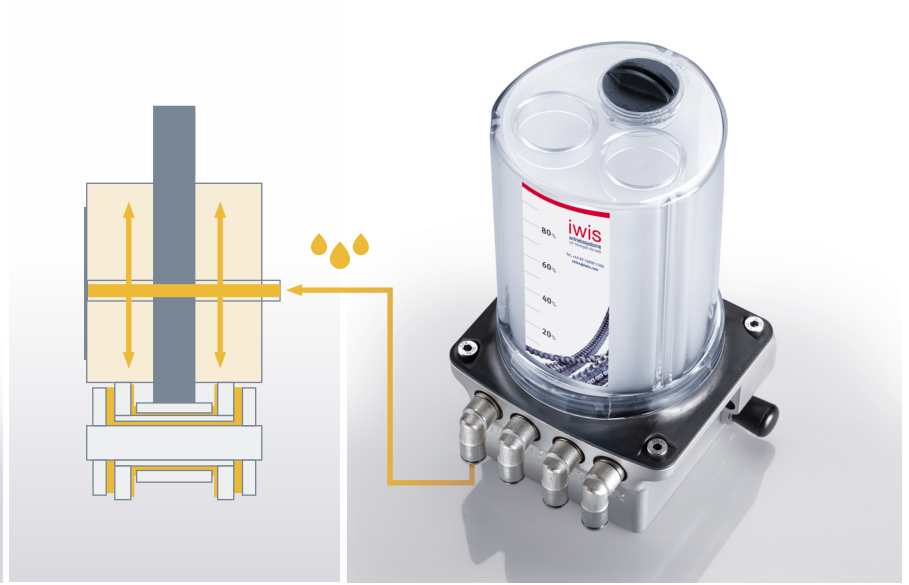
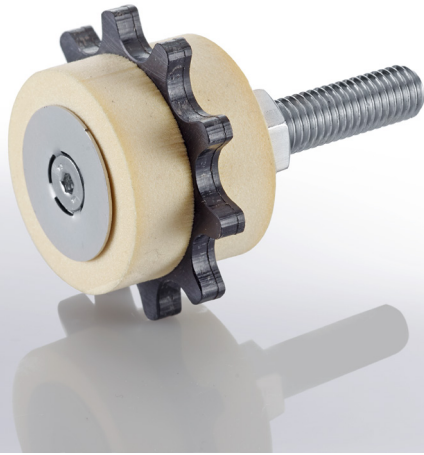
SISTEMA DE LUBRIFICAÇÃO DE CORRENTES





The Chain Lubrication Application System from iwis

Correct relubrication **reduces chain wear** and considerably **extends chain service life**: For more than two thirds of all chain failures can be avoided with proper relubrication. Thanks to the use of a special applicator, the new CLA lubrication system from iwis (CLA = Chain Lubrication Application) permanently delivers lubricant to the chain drive and other components – and in this way ensures a long chain service life **economically, cleanly and with absolute precision.**



The CLA System

iwis's new CLA lubrication system for chain drives acts as a highly efficient **minimum quantity lubrication system**. The special applicator, which is made from a **high-performance material**, acts as a reservoir. It delivers continuously small quantities of lubricant to the chain drive at precise locations, where it is actually required! This prevents the operating roller chain from sometimes not being supplied with enough lubricant and also prevents unnecessarily large volumes of oil from being dispensed onto the chain and its environment. The applicators are available in standard dimensions as well as in customized versions.

The CLA pumps can be operated separately either with time control (TC version) or can be simply integrated in the machine's PLC (PC version).

The **compact size** simplifies the task of retrofitting the device in existing plant and machinery. Thanks to a pump pressure of **up to 70 bar**, the distributors are able to supply as many as 16 lubrication points with sufficient oil without contaminating the environment and wasting valuable lubricant. The special applicators, which are made from PU foam, are **extremely robust** and are available in many variants, including custom designs.

Highlights of the PU foam applicators

- Controlled minimum quantity lubrication
- No fraying, as in the case of brushes, for example

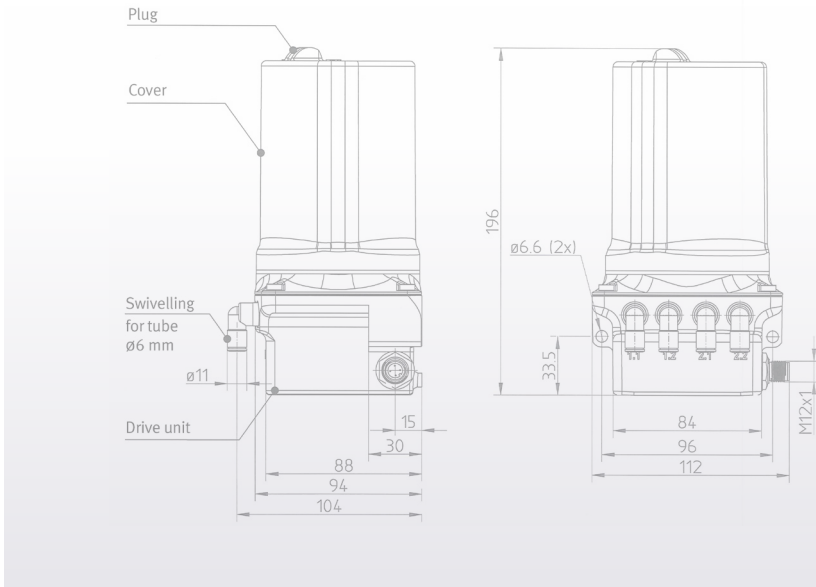
IMPORTANT: The applicators must never run dry and must be impregnated with oil before use

- Storage of the lubricant, which is dispensed at intervals by the pump, and continuous supply of the chain joint with lubricant
- Economical metering saves valuable lubricant
- Clean environment because there is no misting, as in the case of spray systems, for example
- Mounted on sliding bearings and equipped with a spring metal sheet for optimum contact with the chain strand
- Optionally available with guide pinions for high speeds

Highlights of the pump

- Compact and powerful with max. 70 bar supply pressure
- Capacity of 500 ml lubricant oil
- Easy to refill with oil
- Time-controlled or pulse-controlled for simple integration in the machine controller
- One pump body: max. two outlets possible
- Pulse-controlled version also available with two pump bodies: This makes up to four outlets possible. The oil volume can be set separately for the two pumps

IMPORTANT: The number of pump outlets must be configured at the time of ordering



The iwis CLA lubrication pumps are available in the following versions:

	Pulse-controlled					Time-controlled	
CLA lubricating oil pump		2A 1 PK 500 ml PC	2A 2 PK 500 ml PC		4A 2 PK 500 ml PC		2A 1 PK 500 ml TC
Pump bodies	●	●●	●●	●●●	●●●●	●	●●
Pump outlets	●	●●	●●	●●●	●●●●	●	●●
Max. lubrication points with splitter	4	8	8	12	16	4	8
Different lubrication volumes	-	-	✓	✓	✓	-	-
iwis article no.	On request	40012120	40012122	On request	40012121	On request	40012123

DOWNLOAD

Further information can be found in our comprehensive operating instructions at: www.iwis.com/downloads





CLA accessories – the right lubrication system configured to meet your individual needs

In addition to the CLA pump, iwis also supplies the corresponding connecting elements and tubes to form a set that is perfectly adapted to the application in question.

For more information and technical details, see also the CLA Operating Instructions.

- Lubricating roller made from PU foam
- Lubrication sprockets
- Tube PA 12-PHL 6x3x1.5
- Plug-in tube connectors for 6 mm various threads
- Adapter for the lubrication points
- 4-pole cable with M12x1 connector

Perfect lubrication with the iwis CLA high-performance oils

Two lubricants – ideal for use with the iwis CLA lubrication system and perfectly suited for the relubrication of chains.

iwis CLA Oil HP

- High-performance oil with PTFE for outstanding wear and corrosion protection properties
- Highly effective additives for outstanding flow properties combined with slip-resistance due to its high viscosity
- Ideally suited even for fast-running chain drives

Colour	White
Viscosity at 40 °C	2,500 mm ² /s
Density at +15 °C	0.92 g/cm ³
Temperature range	-10 °C to +80 °C
Container	5-litre cannister

iwis CLA Oil Food

- Low-viscosity, high-performance lubricant with good flow properties and offering outstanding wear protection with NSF-H1 food grade approval
- Carefully selected additives allow the lubricant to penetrate perfectly into the chain links
- The extremely resistant, high-adhesion lubricant also has excellent noise-reducing properties

Colour	Yellowish, clear
Viscosity at 40 °C	141 mm ² /s
Density at +15 °C	0.867 g/cm ³
Temperature range	-15 °C to +120 °C
Container	5-litre cannister

Adicionamos movimento ao seu negócio!

Serviços

Colagens no local
Serviço 24H
Cálculos de transmissão
Formação
Projectos
Recondicionamento
Portal B2B
Visita técnica

Sede

R. António Silva Marinho, 66
4100-063 Porto | Portugal
Tel +351 226 197 360
Fax +351 226 197 361
vendasporto@juncor.pt

Filial - Montijo Comércio e Indústria
(Arm. 13/15)
EN 5 Pau Queimado - Afonseiro
2870-500 Montijo | Portugal
Tel +351 212 306 030
Fax +351 212 306 031
vendaslisboa@juncor.pt



www.juncor.pt



clientes.juncor.pt



[facebook/juncor](https://facebook.com/juncor)



twitter.com/juncor_sa



youtube.com/juncoraccess



linkedin.com/company/juncor-sa



pinterest.pt/juncorsa



instagram.com/juncor_sa