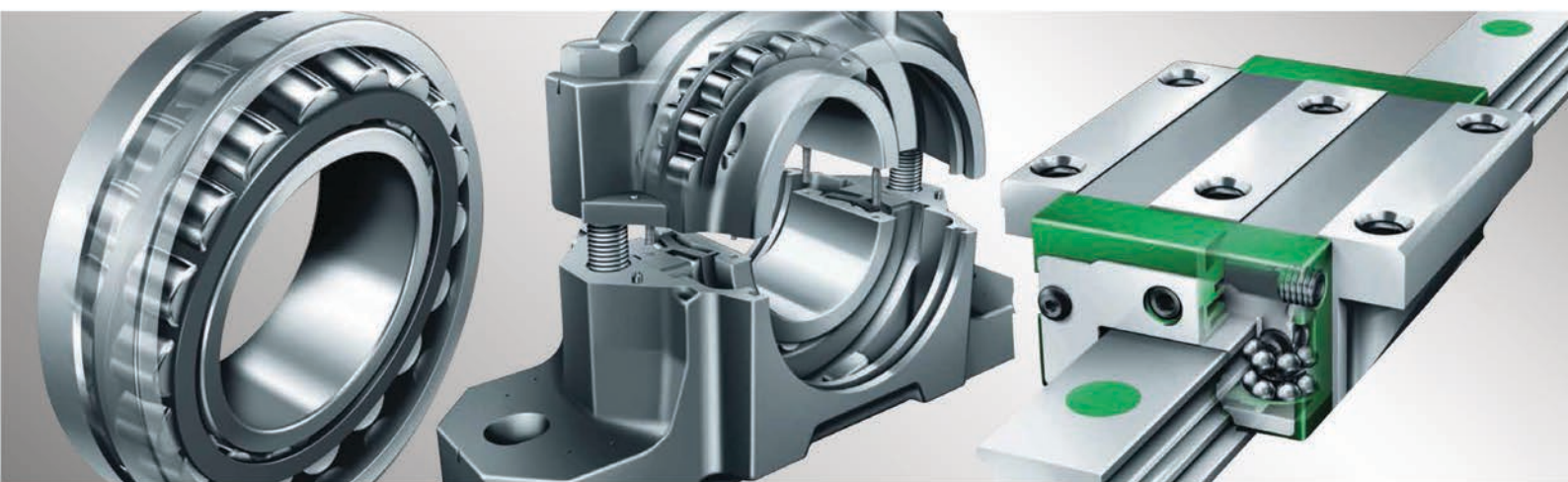




## Correntes de pino oco - Série HB50.8





Now even  
**BETTER!**

## ELITE Hollow Pin Chains – Series HB50.8

Oil splashes and/or zinc abrasion resulting from sprocket tooth wear can seriously contaminate conveyor systems, which in turn causes problems with fulfilling hygiene requirements.

In addition to the tried and tested iwis product range, the company has now developed solutions that guarantee a **high degree of protection against abrasion and wear.**

**A real bonus for plant suppliers and users!**





## Longer Service Intervals, less Downtime

Hollow pin chains from Series HB50.8 are used in many **shuttle conveyor applications**, especially in **bakeries**.

Hollow pin chains HB50.8 are available in the following versions: normal steel, stainless steel or zinc-plated, with either steel or plastic rollers.

A frequently recurring problem for plant suppliers and users alike are oil splashes and/or zinc abrasion resulting from sprocket tooth wear, which in turn cause serious contamination of the conveyor system.

iwis can now offer a further **development of the existing chains** characterised by its longer service life and, above all, its **better abrasion resistance**.

The **better abrasion resistance** of the newly developed HB50.8 ZPKDD version is achieved primarily through its optimised plastic slide bearing. In addition, thrust washers mounted between the inner and outer plates prevent undesirable tooth abrasion.

### Highlights

- Many versions available from stock
- Versions with seamless bushes and hollow pins
- Available in steel, zinc-plated version and stainless steel
- On request, pair-matched chains are supplied to guarantee ideal parallel running
- Plastic rollers made of wear-resistant POM
- Blue-coloured plastic rollers available on request
- Chains with wax lubricant **iwidur** available on request

### Practical accessories

iwis offers a wide range of suitable accessories for hollow pin chains:

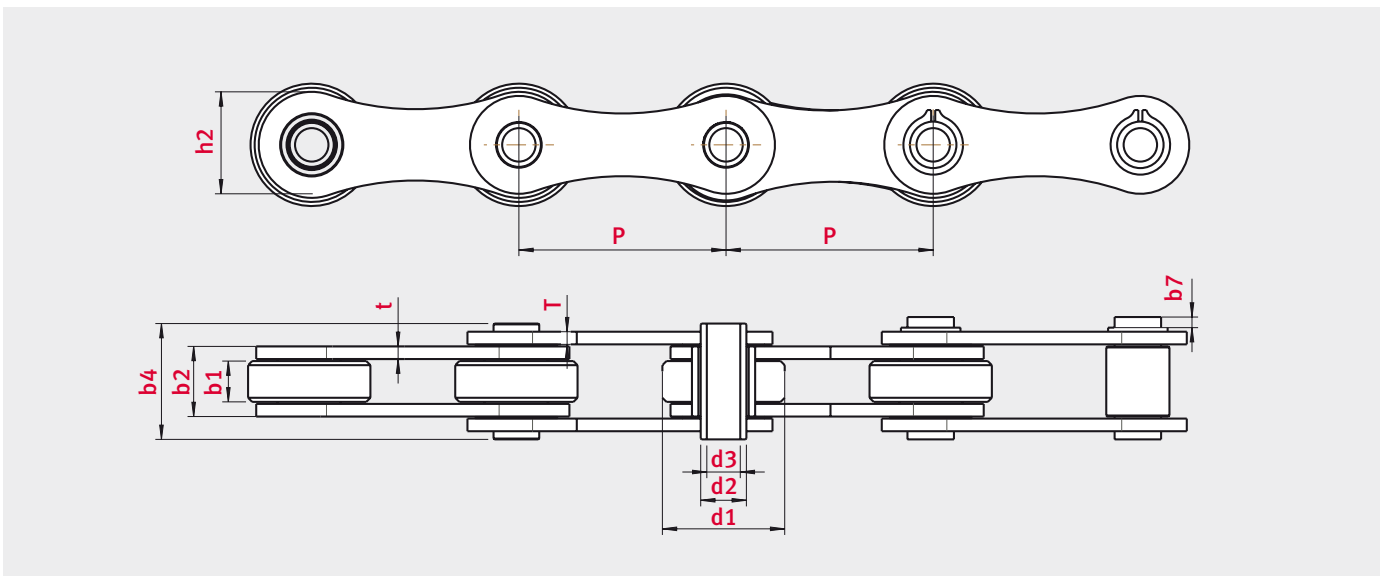
- Sprockets
- Plate wheels
- Deflectors/direction changers





## Product Range ELITE Hollow Pin Chains – Series HB50.8

Chain type	Pitch	Width between inner plates	Roller diameter	Pin diameter	Hollow pin inner diameter	Pin length	Max. pin length of connecting link	Plate thickness	Height inner plate	Tensile strength	Weight
	<b>p</b> mm	<b>b1 min.</b> mm	<b>d1 max.</b> mm	<b>d2</b> mm	<b>d3 min.</b> mm	<b>b4 max.</b> mm	<b>b4 + b7</b> mm	<b>t / T</b> ~ mm	<b>h2 max.</b> mm	<b>F min.</b> N	<b>kg/m</b>
HB50,8	50.8	10.5	30	11.4	8.2	27.4	28.6	3.1	26	55000	2.15
HB50,8 ZP	50.8	10.5	30	11.4	8.2	27.4	28.6	3.1	26	50000	2.15
HB50,8 ZPD	50.8	10.5	30	11.4	8.2	27.4	28.6	3.1	26	50000	1.55
<b>NEW</b> HB50,8 ZPKD	50.8	10.5	30	11.2	8.2	28.2	29.6	3.1	26	42000	1.55
<b>NEW</b> HB50,8 ZPKDD	50.8	10.5	30	11.2	8.2	28.5	29.6	3.1	26	42000	1.6
HB50,8 SS	50.8	10.5	30	11.4	8.2	27.4	28.6	3.1	26	35000	2.15
HB50,8 SSD	50.8	10.5	30	11.4	8.2	27.4	28.6	3.1	26	35000	1.55
HB50,0	50.0	10.5	30	11.4	8.2	27.4	28.6	3.1	26	55000	2.2
HB50,0 ZP	50.0	10.5	30	11.4	8.2	27.4	28.6	3.1	26	50000	2.2





## ELITE Technical Specifications

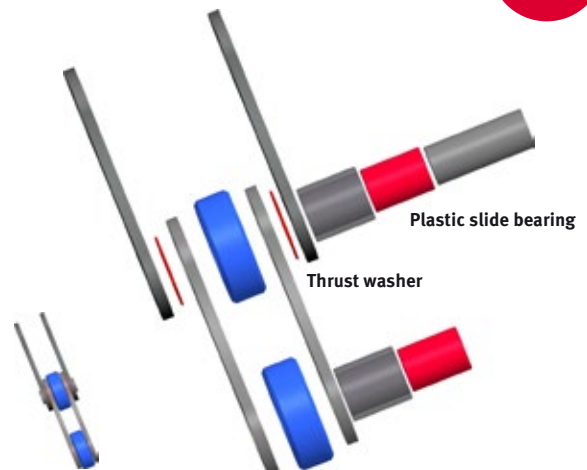
Type	Plates	Rollers	Bushes	Pins	Special features
HB50.8	Heat-treated	Case-hardened	Case-hardened	Case-hardened	
HB50.8 ZP	Heat-treated, zinc-plated	Case-hardened, zinc-plated	Case-hardened, zinc-plated	Case-hardened, zinc-plated	
HB50.8 ZPD	Heat-treated, zinc-plated	PA6/POM	Case-hardened, zinc-plated	Case-hardened, zinc-plated	
<b>NEU</b> HB50.8 ZPKD	Heat-treated, zinc-plated	PA6/POM	Plastic slide bearing	Case-hardened, zinc-plated	
<b>NEU</b> HB50.8 ZPKDD	Heat-treated, zinc-plated	PA6/POM	Plastic slide bearing	Case-hardened, zinc-plated	with thrust washer
HB50.8 SS	Stainless steel	Stainless steel	Stainless steel	Stainless steel	
HB50.8 SSD	Stainless steel	Stainless steel	Stainless steel	Stainless steel	
HB50.0	Heat-treated	Case-hardened	Case-hardened	Case-hardened	
HB50.0 ZP	Heat-treated, zinc-plated	Case-hardened, zinc-plated	Case-hardened, zinc-plated	Case-hardened, zinc-plated	

Conventional hollow pin chains

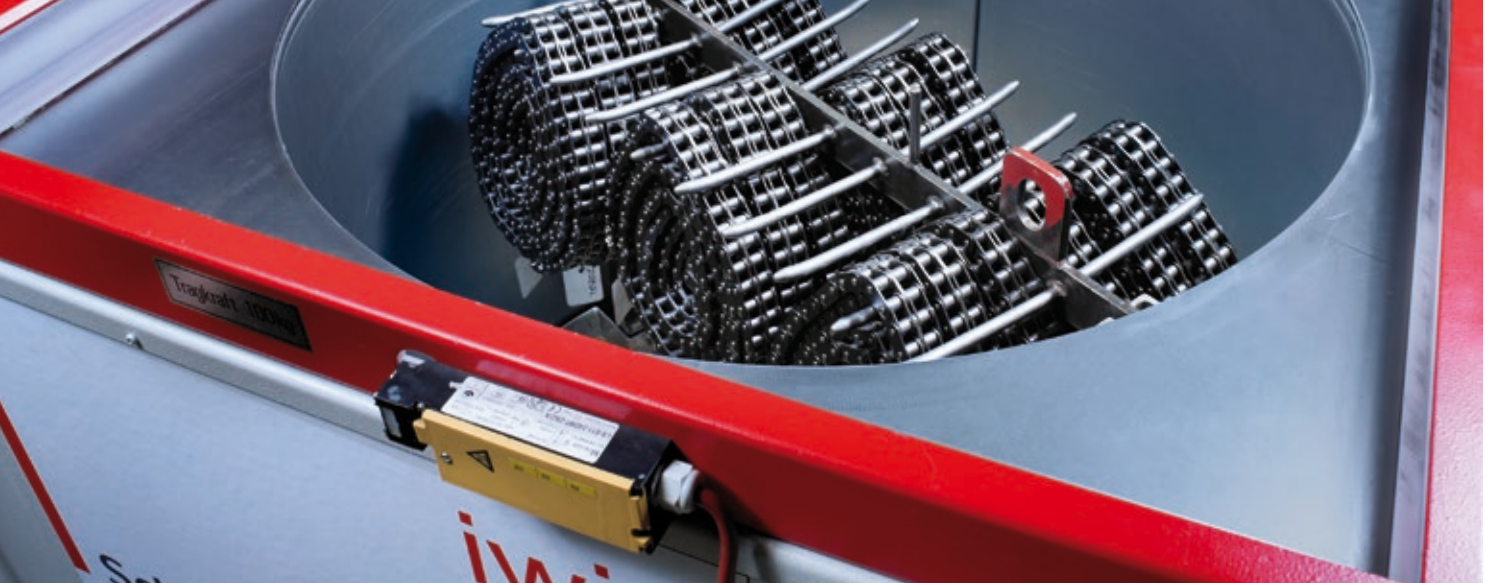


HB50.8 ZPKDD

**NEW**  
from iwis







## Optimum chain lubrication with **iwidUR**<sup>®</sup>

Chain service life can be prolonged significantly by an adequate and effective lubrication of chain links. Selection of the right lubricant and lubrication method guarantees reduced chain wear, adequate corrosion protection and reduced noise.

In order to meet the requirements of the food industry, iwis developed the special wax lubricant **iwidUR**<sup>®</sup>, which is characterised by its good lubrication performance and high level of corrosion protection; it also increases the wear resistance of chains. Chains lubricated with **iwidUR**<sup>®</sup> exhibit minimal chain elongation and need less frequent relubrication than conventional oil-lubricated chains.

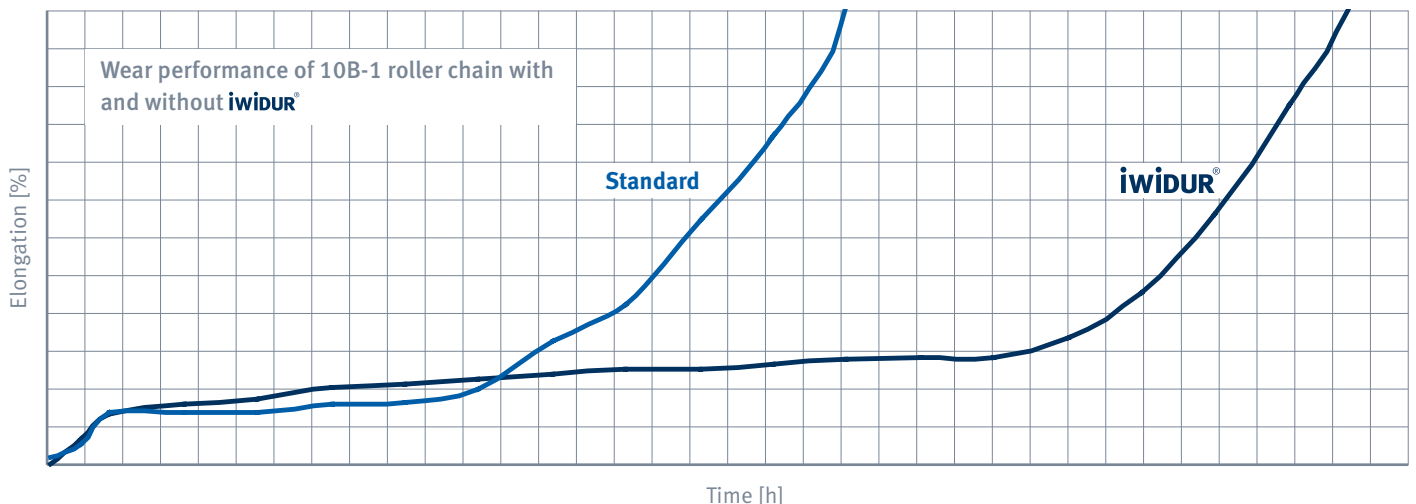
This high-performance lubricant is water-insoluble, odour-free and non-toxic, so it does not require labelling according to the hazardous substances ordinance.

### Highlights

- Better wear protection and minimal chain elongation in comparison to conventional chains with long-term lubrication
- Longer relubrication intervals
- Good corrosion protection
- Low-maintenance
- Reduces noise
- Conveyed goods and chain drive remain clean
- USDA-H1 and LMBG approved

### Product characteristics

- Application is by hot immersion
- Optimum temperature range approx. -25 to 80 °C (in low temperature ranges, a higher starting torque may be required after longer standstills)
- Biologically safe, non-toxic



# Our subsidiaries

## Germany

iwis antriebssysteme GmbH & Co. KG  
Albert-Roßhaupter-Straße 53  
81369 München  
Tel. +49 89 76909-1500  
Fax +49 89 76909-1198  
sales@iwis.com

## Germany

iwis antriebssysteme GmbH  
Essener Straße 23  
57234 Wilnsdorf  
Tel. +49 2739 86-0  
Fax +49 2739 86-22  
sales-wilnsdorf@iwis.com

## Germany

iwis agrisystems  
Schützenweg 5  
36205 Sontra  
Tel. +49 5653 9778-0  
Fax +49 5653 9778-26  
agrisystems@iwis.com

## Great Britain

iwis drive systems Ltd.  
Unit 8c Bloomfield Park  
Bloomfield Road, Tipton  
West Midlands, DY4 9AP  
Tel. +44 12 15213600  
Fax +44 12 15200822  
salesuk@iwis.com

## France

iwis systèmes de transmission  
10, rue du Luxembourg  
69330 Meyzieu  
Tel. +33 4374515-70  
Fax +33 4374515-71  
salesfr@iwis.com

## Switzerland

iwis AG Kettentechnik  
Bahnweg 4 (Postfach)  
5504 Othmarsingen  
Tel. +41 62 8898999  
Fax +41 62 8898990  
info@iwis-ketten.ch

## Italy

iwis antriebssysteme Italia  
Tel. +39 340 9296142  
Fax +49 89 7690949-1726  
salesit@iwis.com

## China

iwis drive systems (Suzhou) Co., Ltd.  
No. 266 LvliangShan Road  
215153 Suzhou SND  
Tel. +86 512 8566-3020  
Fax +86 512 8566-3009  
salescn@iwis.com

## USA

iwis drive systems, LLC  
Building 100, 8266 Zionsville Road  
Indianapolis, IN 46268  
Tel. +1 317 821-3539  
Fax +1 317 821-3569  
sales@iwisusa.com

## Canada

iwis drive systems, Inc.  
Unit 101 19097 – 26th Avenue  
Surrey, BC Canada V3Z 3V7  
Tel. +1 604 560-6395  
Fax +1 604 560-6397  
salesca@iwisusa.com

## Brazil

iwis Sistemas de Transmissão  
de Energia Mecânica Ltda.  
Rua Bento Rosa, nº 1816  
Bairro Hidráulica  
95.900-000 Lajeado, RS  
Tel. +55 51 3748-7402  
salesbrazil@iwis.com

## South Africa

iwis drive systems, (Pty) Ltd  
Unit 3, 127 Koornhof Road  
Meadowdale, 1613  
Tel. +27 11 392-2306  
Fax +27 11 392-3295  
salessa@iwis.com

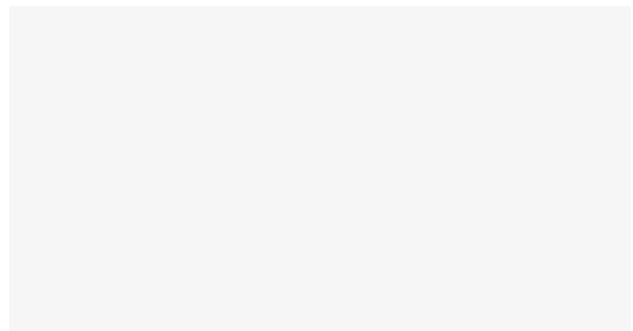
## Turkey

iwis antriebssysteme GmbH & Co. KG  
Türkiye İstanbul İrtibat Bürosu  
Tel. +90 543 554 3483  
salestr@iwis.com

[www.iwis.com](http://www.iwis.com)

**iwis**  
antriebssysteme  
wir bewegen die welt

Your sales representative



# Adicionamos movimento ao seu negócio!

## Serviços

Colagens no local

Serviço 24H

Cálculos de transmissão Formação

Projectos

Recondicionamento

Portal B2B

Visita técnica

## Sede

R. António Silva Marinho, 66

4100-063 Porto | Portugal

Tel +351 226 197 360

Fax +351 226 197 361

[vendasporto@juncor.pt](mailto:vendasporto@juncor.pt)

## Filial - Montijo Comércio e Indústria

(Arm. 13/15)

EN 5 Pau Queimado - Afonseiro

2870-500 Montijo | Portugal

Tel +351 212 306 030

Fax +351 212 306 031

[vendaslisboa@juncor.pt](mailto:vendaslisboa@juncor.pt)



[www.juncor.pt](http://www.juncor.pt)



[clientes.juncor.pt](http://clientes.juncor.pt)



[facebook/juncor](https://facebook/juncor)



[twitter.com/juncor\\_sa](https://twitter.com/juncor_sa)



[youtube.com/juncoraccess](https://youtube.com/juncoraccess)



[linkedin.com/company/juncor-sa](https://linkedin.com/company/juncor-sa)



[pinterest.pt/juncorsa](https://pinterest.pt/juncorsa)



[instagram.com/juncor\\_sa](https://instagram.com/juncor_sa)