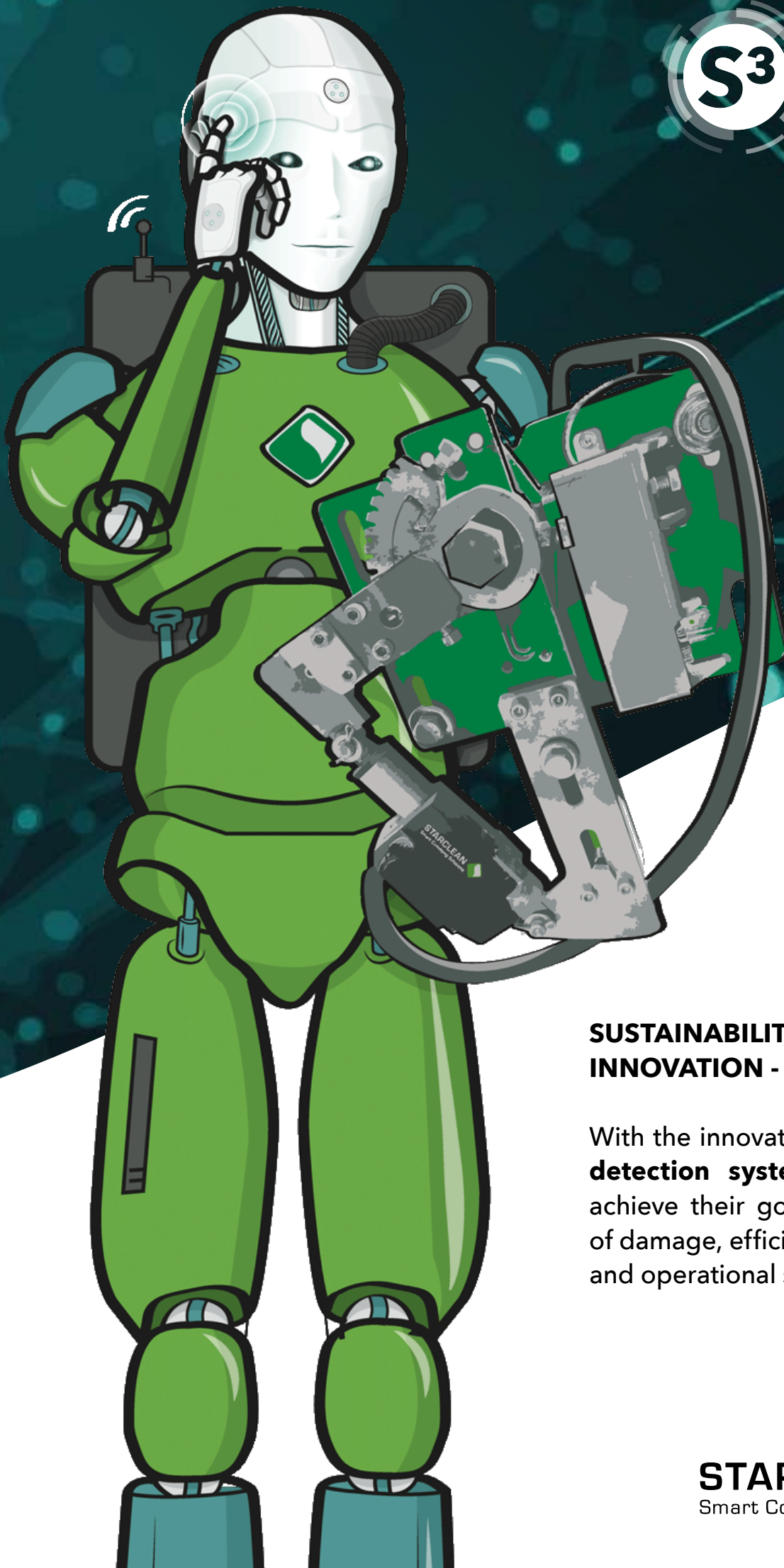




STARCLEAN®
SMART
SCRAPER



**SUSTAINABILITY BY
INNOVATION - STARCLEAN®S³**

With the innovative **S³ belt damage detection system**, our customers achieve their goals: early detection of damage, efficient use of resources and operational safety.

STARCLEAN
Smart Conveying Solutions





STARCLEAN®
SMART
SCRAPER

THE NEW DIGITAL STARCLEAN®S³

Our unique smart scraper with electric drive, in combination with our smart cloud dashboard, enables early detection of damage to the conveyor belt and predictive repair of the segments through our automatic wear detection. Thanks to the digital innovation, the scraper has the ability of self-regulating wear behavior and at the same time enables an optimized pretensioning force - completely automatically.

With the principle „**detect - react - protect**“, our innovation enables continuous, contact-based control of the conveyor belt and our scrapers.

ADVANTAGES AT A GLANCE

- ◆ Continuous inspection
- ◆ Damage limitation
- ◆ Efficient use of resources
- ◆ Improved operating reliability
- ◆ Prevention of unscheduled conveyor belt downtimes
- ◆ Transparent data analysis

THE MODULES

- ◆ Scraper
- ◆ Motorization set
- ◆ Scraper Intelligence Module (SIM)
- ◆ Measuring roller with sensor system
- ◆ Belt damage detection
- ◆ LTE Edge Controller/Cloud

THE MODULES



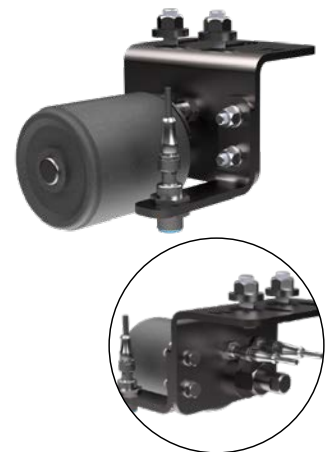
Scrapers Intelligence Module (SIM)



Motorization set with S³ sensor system
Drive on one side and on both sides



Scraper
Primary or secondary

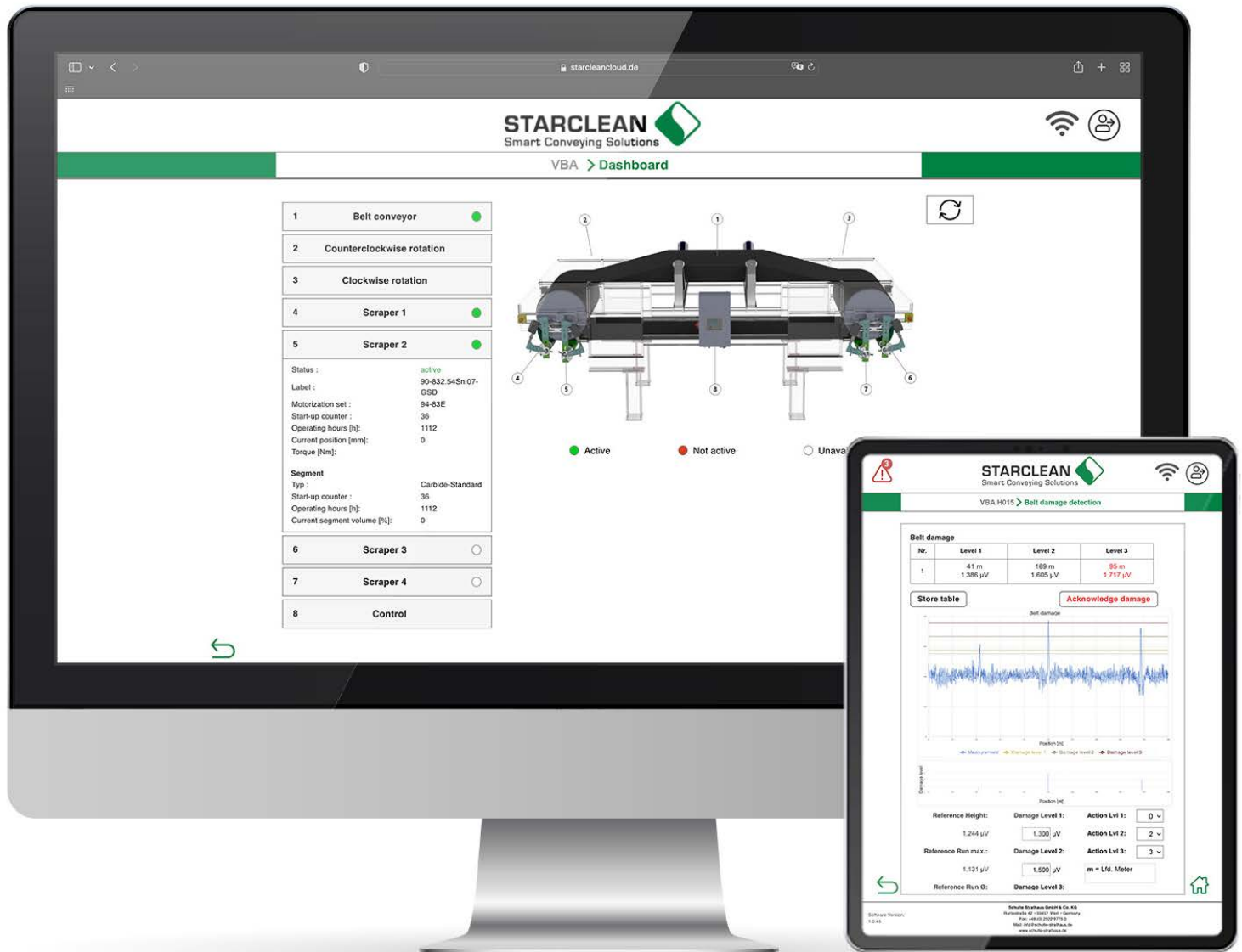


Measuring roller with sensor system

TECHNICAL APPLICATIONS

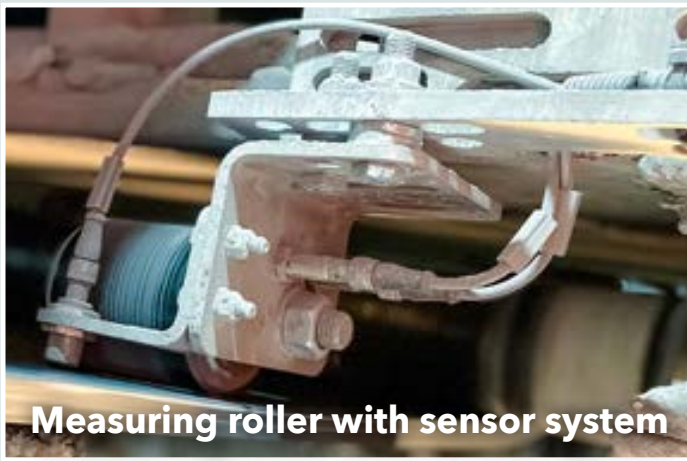
- ◆ Automatic or manual engagement and disengagement of conveyor belt cleaner
- ◆ Automatic readjustment of the pretension
- ◆ Wear indicator and warning
- ◆ Constant belt damage detection by the secondary scraper
- ◆ Operating hours display for belt conveyor, scraper, and wear parts
- ◆ Switch-on, engagement and disengagement counter
- ◆ Indicator of conveying speed and running direction
- ◆ Control for up to four scrapers
- ◆ RFID access with rights allocation to protect against unauthorized access
- ◆ Information about the belt conveyor, the scrapers, and the control system
- ◆ Error messages and faults

STARCLEAN® S³ DASHBOARD/CLOUD



WHAT THE CLOUD CAN DO

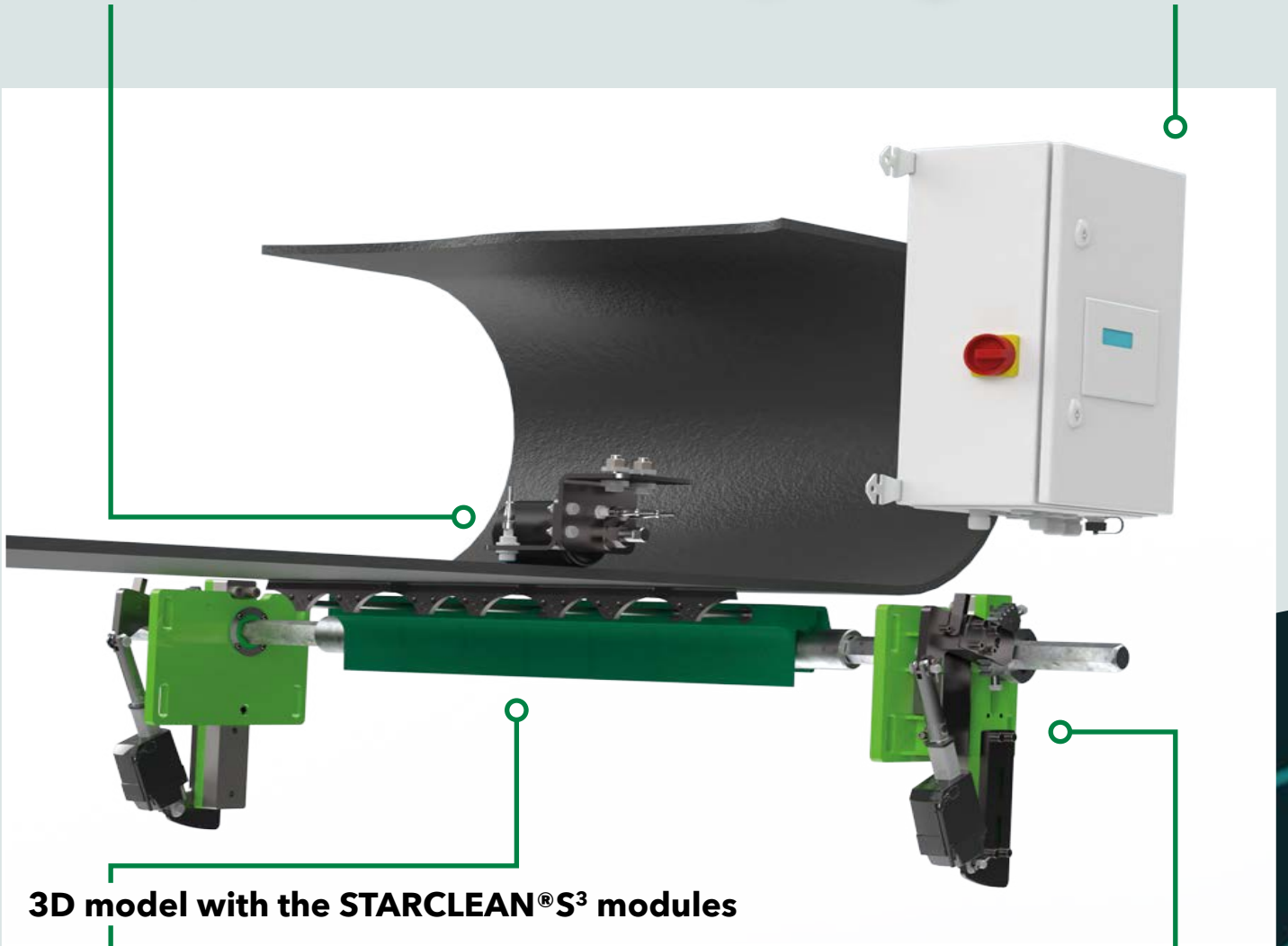
- ◆ Continuous monitoring of the conveyor belt
- ◆ Classify the damage
- ◆ Define the internal damage level
- ◆ Initiate action if belt is damaged (disengagement, send information, alarm, you determine the function)
- ◆ Detect the position of belt damage
- ◆ Record belt characteristics



Measuring roller with sensor system



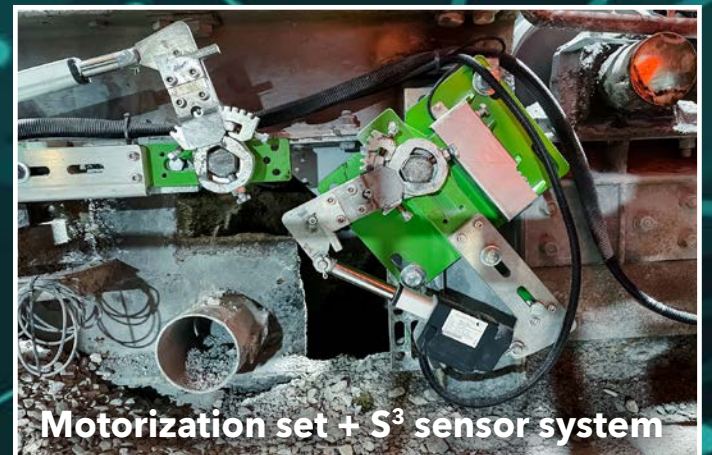
Scraper Intelligence Module



3D model with the STARCLEAN®S³ modules



Secondary scraper



Motorization set + S³ sensor system

HEROES OF SPILLAGE CONTROL



Schulte Strathaus GmbH & Co. KG
Runtestraße 42
59457 Werl, Germany

Fon +49 (0) 2922 9775-0
info@starclean-solutions.de
www.starclean-solutions.de

